

Service Manual

Version 1.0 - english

Audio 10 Export Typ 4311



• *Circuit diagram*

• *Components schematics*

• *Test programme*

• *Anti-theft device*

• *Technical Data*

• *Spare Parts List*



Test programme

1 and 2	press simultaneously	→	BRA BECKER	Becker-Test mode is activated
3	press once	→	SIG 10 89.5	z. B. 10 = Field strength z. B. 89.5 = Frequency (MHz)
3	press twice	→	VLT 6.4 12.9	Display: minimum or maximum voltage
3	press 3 times	→	TYP 4311	Display: Radio type
3	press 4 times	→	SER Y1001468	Display: serial number
3	press 5 times	→	HW 20/00	Display: actual hardware version
3	press 6 times	→	SW 09/00	Display: actual software version
3	press 7 times	→	DSP 210699 FC	Sahara software version



3	press 8 times	→	AMP STANDARD	connected amplifier
3	press 9 times	→	SOL V03B0AT0A	SOL = set value V03 = Adjust volume (00-2F possible adjustments -by turning the volume control); B0A = Bass centre setting; T0A = Treble centre setting
4	press once	→	SOL F0A BAL0A	F0A = Fader centre setting; BAL0A = Balance centre setting
4	press twice	→	IST V03B0AT0A	IST = actual value V03 = Adjust volume (00-2F possible adjustments -by turning the volume control); B0A = Bass centre setting; T0A = Treble centre setting
4	press 3 times	→	IST F0A BAL0A	F0A = Fader centre setting; BAL0A = Balance centre setting
4	press 4 times	→	LST V42B40T40	LST = last volume change V42 = last volume change B40 = Bass average value; T40 = Treble average value
4	press 5 times	→	LST F40 BAL40	F40 = Fader average value; BAL40 = Balance average value
3	press 10 times	→	GAL G:00 V:00	display for speed dependent volume control
3	press 11 times	→	PRG P:00	internal test programme
3	press 12 times	→	DSR CNT:00	internal test programme
3	press 13 times	→	END	Test programme END

Anti-theft protection through a vehicle specific coding

These radios are not code protected. The radio is coupled with the vehicle via CAN-Bus. The radio receives via CAN-Bus a vehicle specific coding, which will be checked during power-on process. If the vehicle specific coding is not valid, the radio will not work in the usual mode. After 30s the PROD-Mode will be activated, „PROD“ will be displayed. Being in the PROD-Mode, it is not possible to operate the radio.

The vehicle specific coding between radio and vehicle can be realised by an external „IS-Tester“. Only the manufacturer can activate the radio with special software and hardware tools.

Technical Data

Wave bands:	FM 87,5 MHz - 108 MHz AM 531 kHz - 1602 kHz LW 153 kHz - 282 kHz SW 5900 kHz - 6250 kHz
Station memory:	8 stations can be stored for the wave band FM, 4 stations can be stored for each of the wave bands AM, LW and SW
Frequency range:	50 Hz - 16 kHz Cassette 30 Hz - 15 kHz FM 50 Hz - 2,5 kHz AM, LW, SW
Autostore:	FM, AM, LW
Output power:	4 x 15 Watt
Speaker impedance:	min. 4 Ohm
GAL:	fixed defined volume increase
Antenna:	Impedance 50 Ohm
Telephone mute:	Low activ level < 2 Volt
Supply voltage:	12 Volt
Tape deck:	Autoreverse, electronical control (Full Logic Control) Titel search forward/rewind
Soundsystem:	Connection only via D2B optical interface
CD connection:	Only MB CD - changers with D2B optical interface can be connected.
Playable CD's:	Only CD's which conform to DIN EN 60908 may be used. The use of 8 cm CD's with aAdapter is not recommended.

Block diagram

Main Board 4010 2

Connector

Connector block (Board 4040-08HJ) 3

Connector-Interface (Board 4010-19LL) 4

Power supply

UG3,3V, UD5V, UG5V, UG9V (Board 4010-19LL) . 5

Tuner

FM / AM (Board 4010-19LL) 6

AF-section

DSP, RDS/Stereo decoder (Board 4010-19LL) 7

AF-Filter, AF amplifier (Board 4010-19LL) 8

InterfaceCAN, K-Line, telephone mute,
Wake up-line, Fot-unit (4010-19LL) 9**Control**

Processor (Board 4010-19LL)..... 10

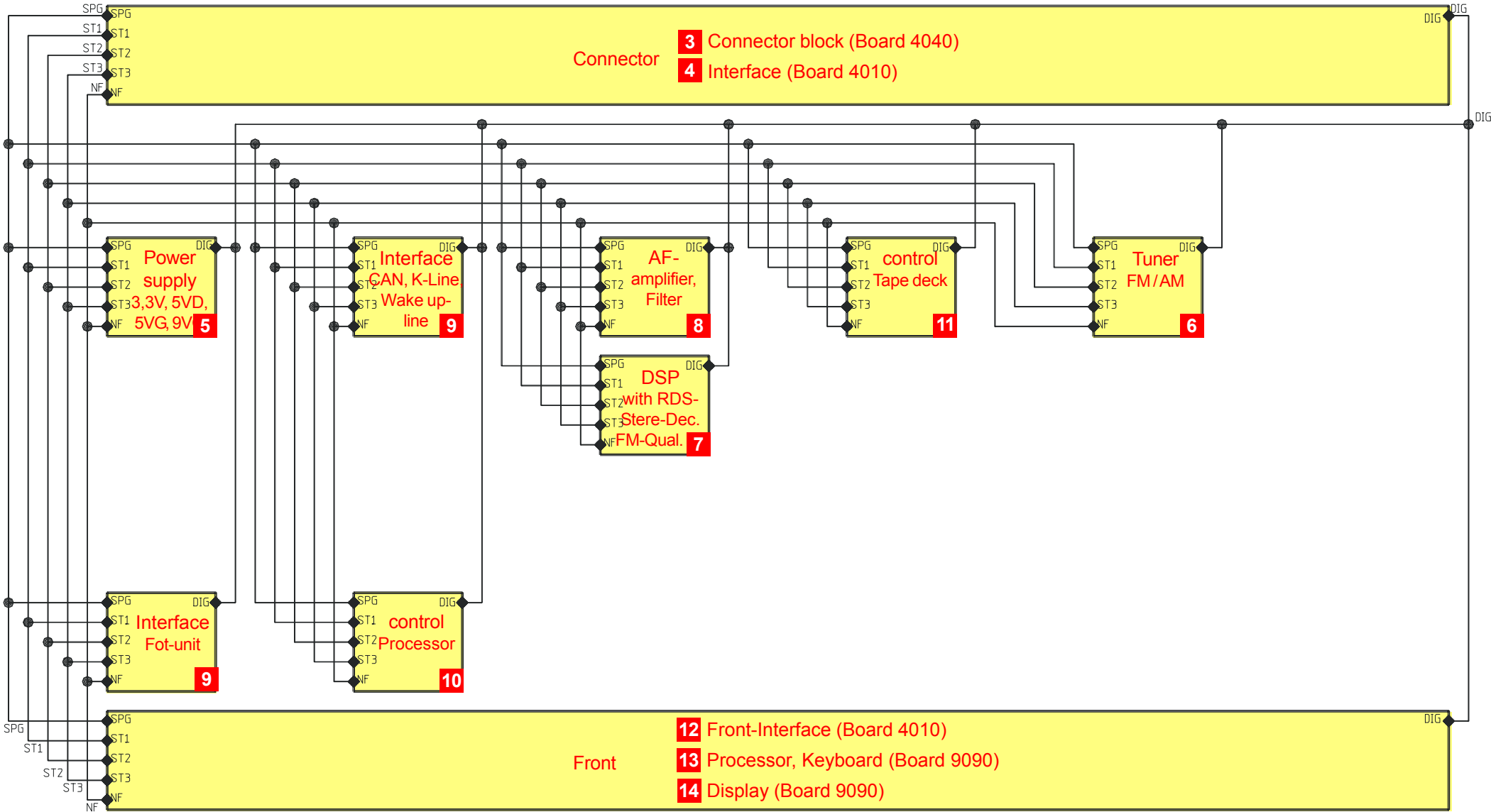
CC-control (Board 4010-19LL) 11

Front

Front-Interface (Board 4010-19LL) 12

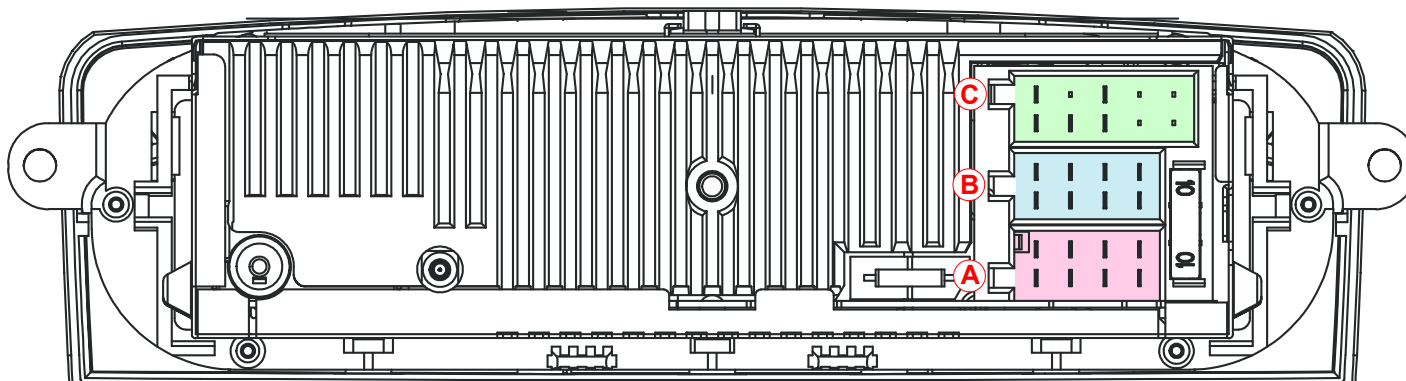
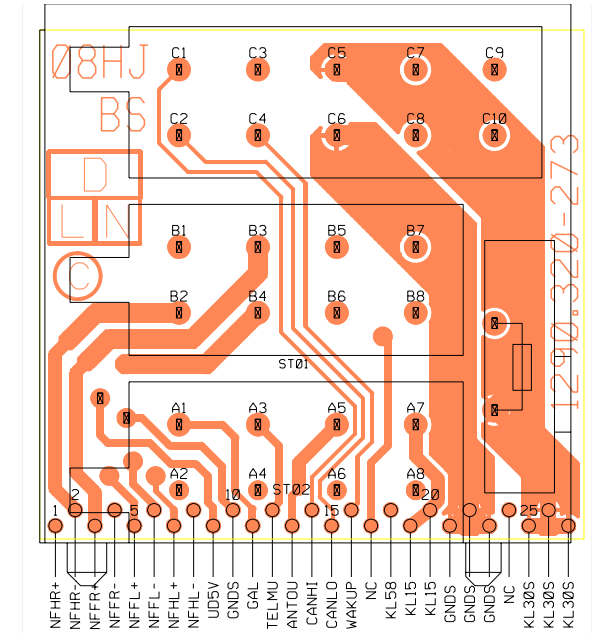
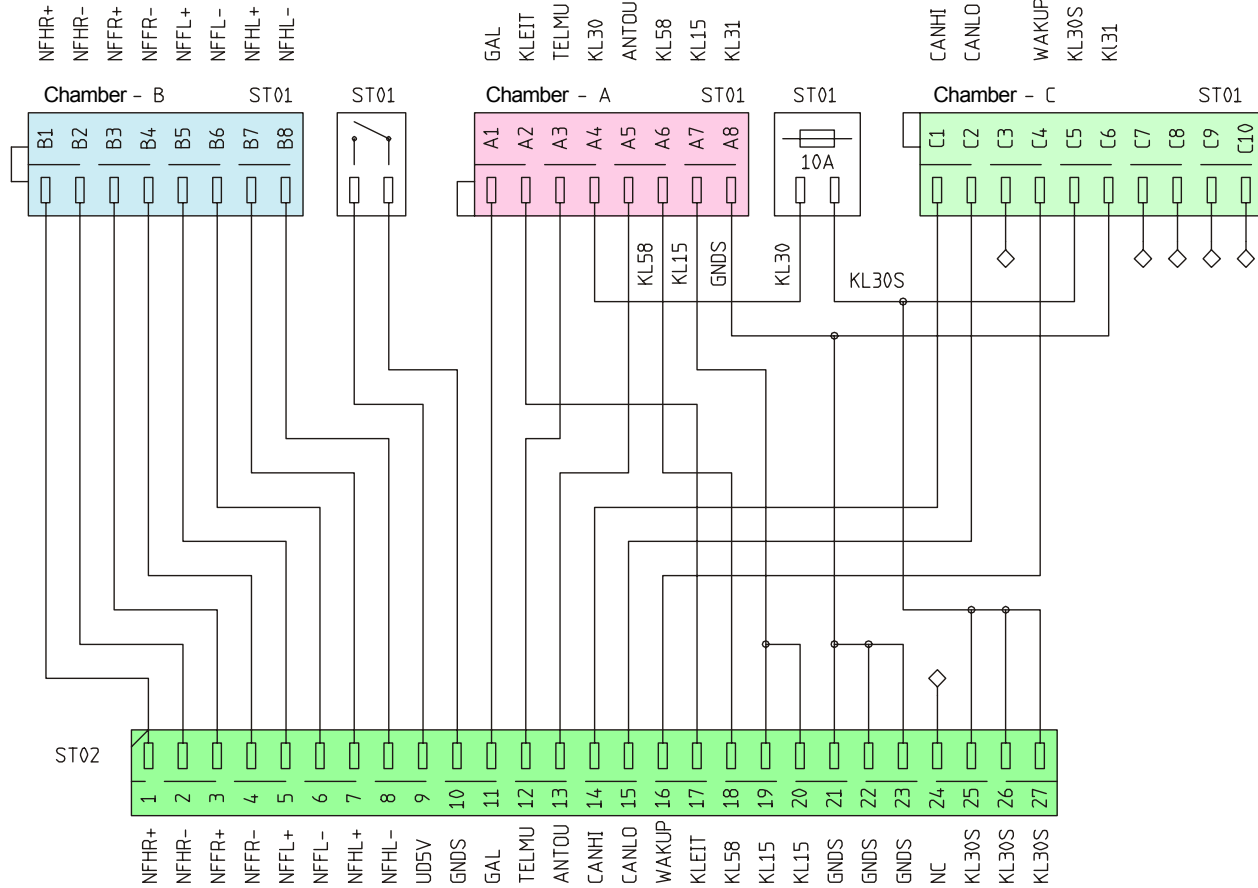
Processor, Keyboard (Board 9090-29DL) 13

Display (Board 9090-29DL) 14

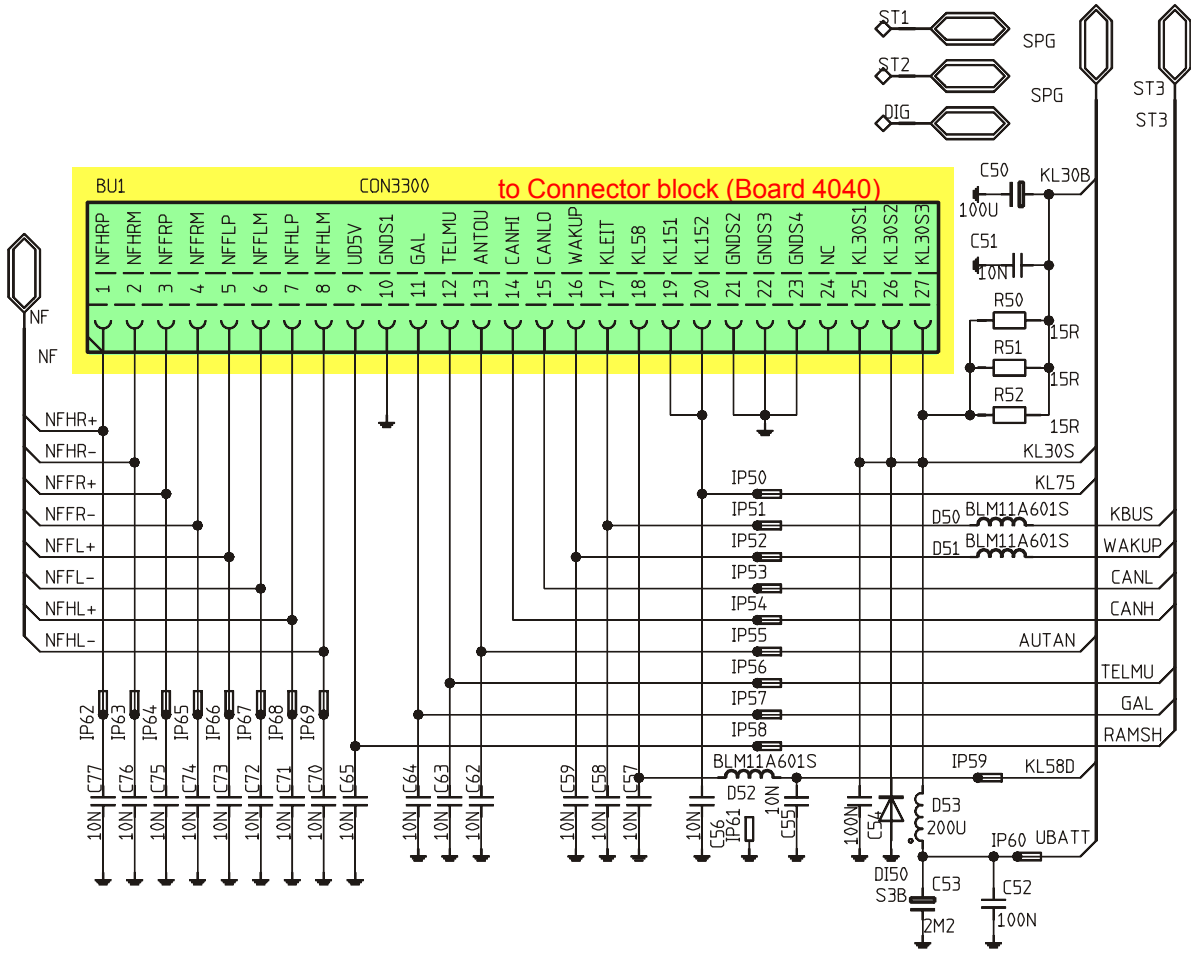


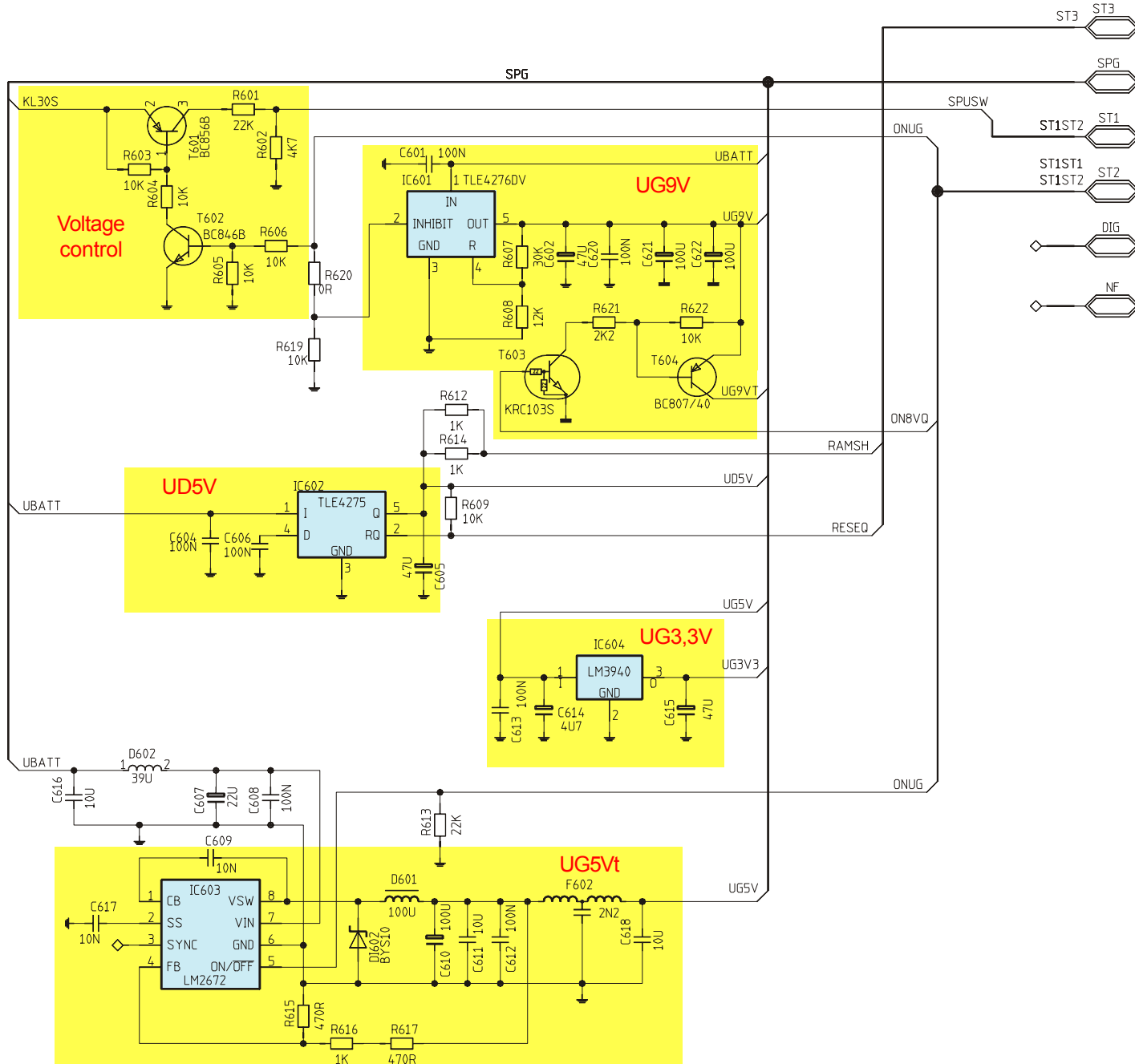
Circuit diagram - Mercedes Benz W203

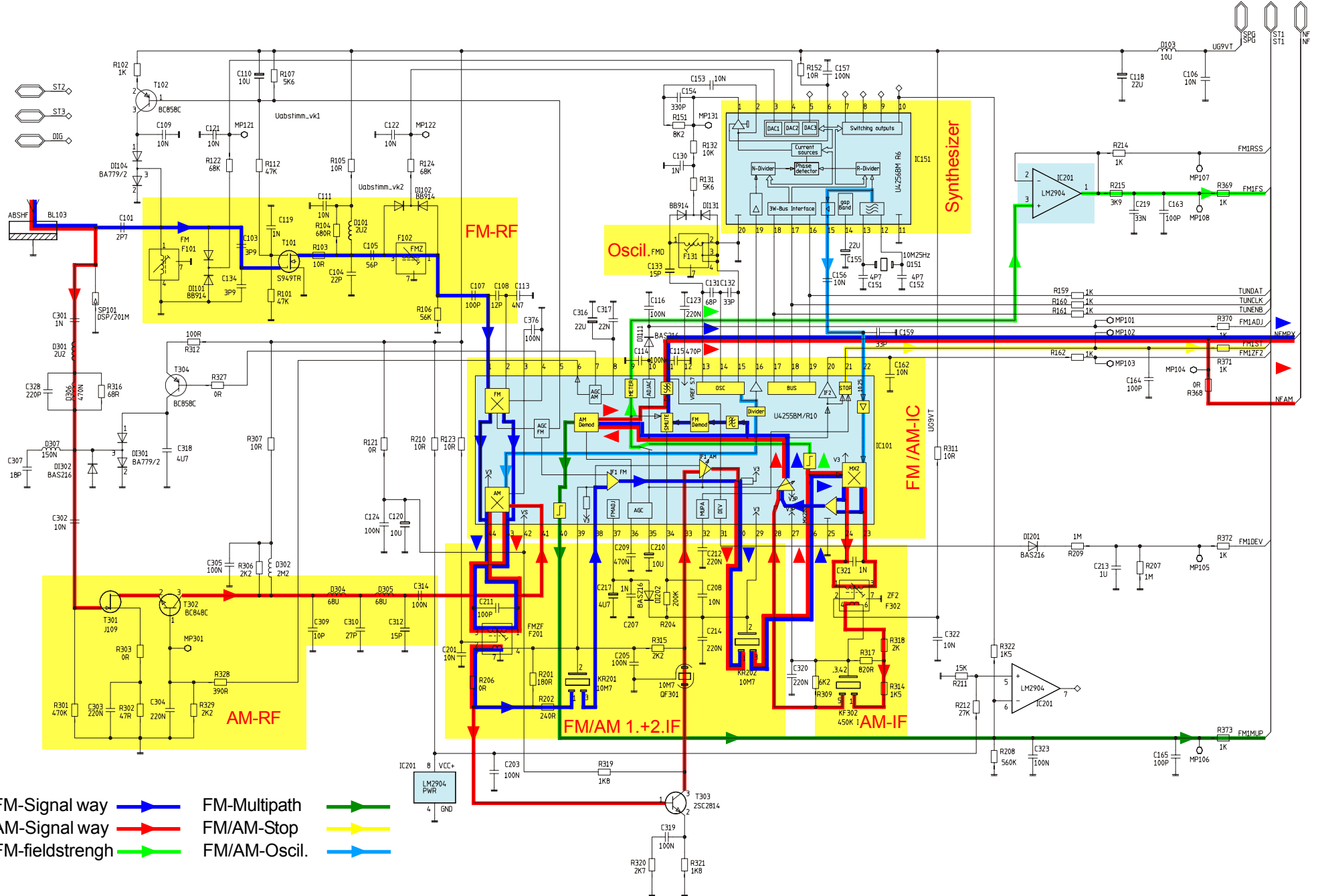
CSD - Version: 04/01



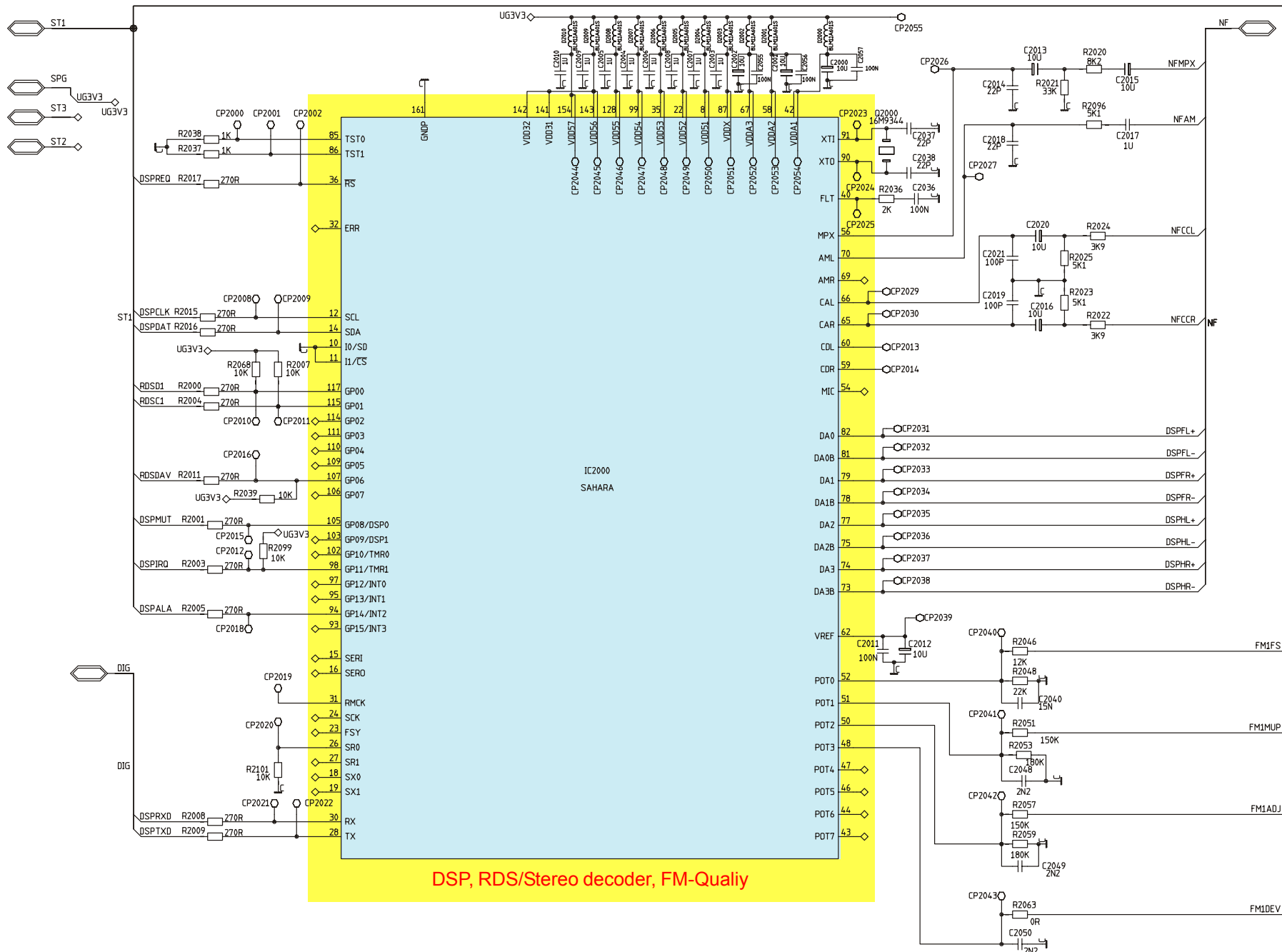
PIN	Chamber A	Chamber B	Chamber C
1		Loudspeaker rear right +	CAN-High
2	K-Line	Loudspeaker rear right -	CAN-Low
3	Telephone mute	Loudspeaker front right +	
4	Terminal 30 Battery	Loudspeaker front right -	Wake up line
5	Control output 12V	Loudspeaker front left +	Battery 12V Fuse
6		Loudspeaker front left -	Terminal 31 Ground
7		Loudspeaker rear left +	
8	Terminal 31 Ground	Loudspeaker rear left -	

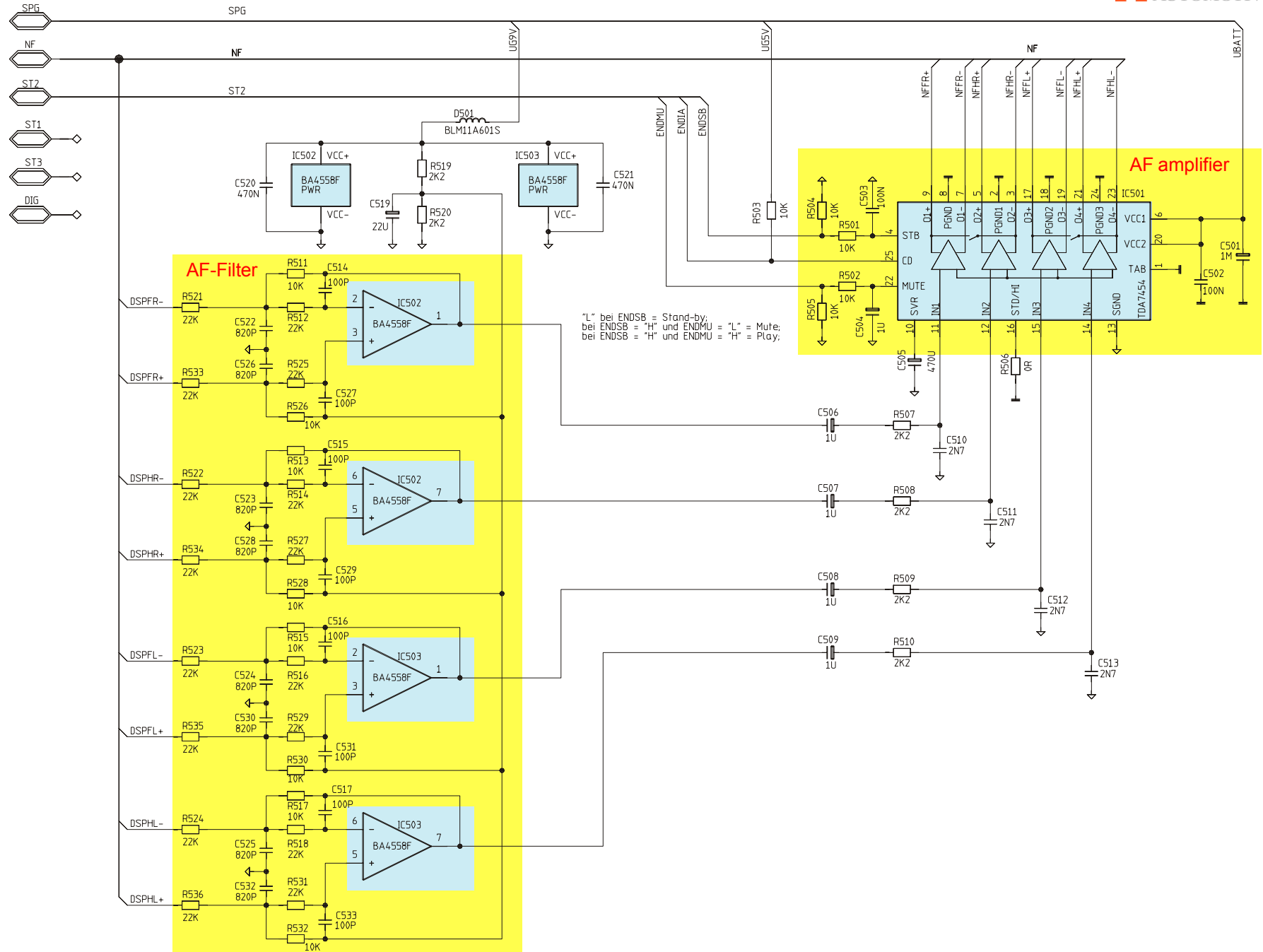


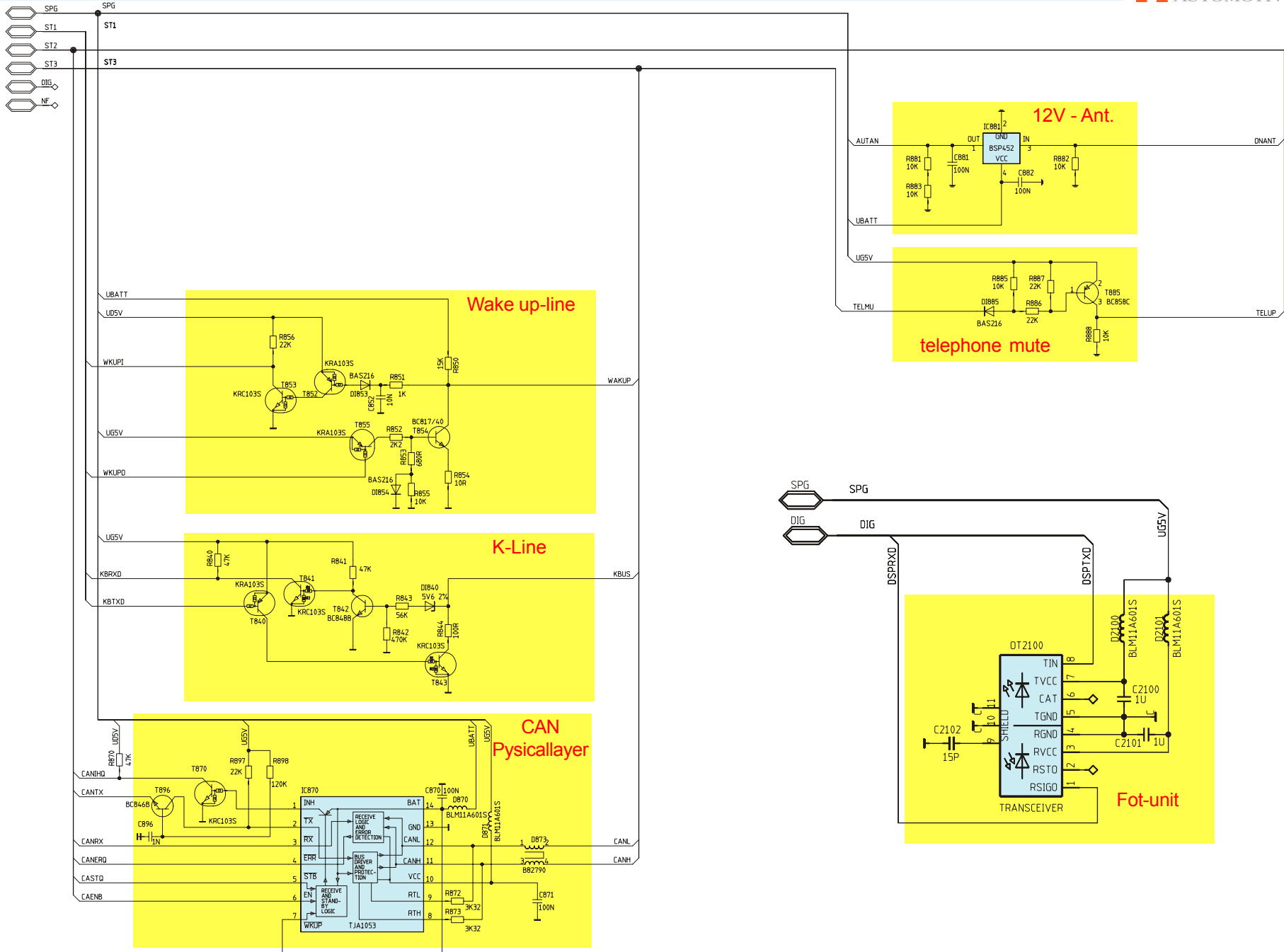


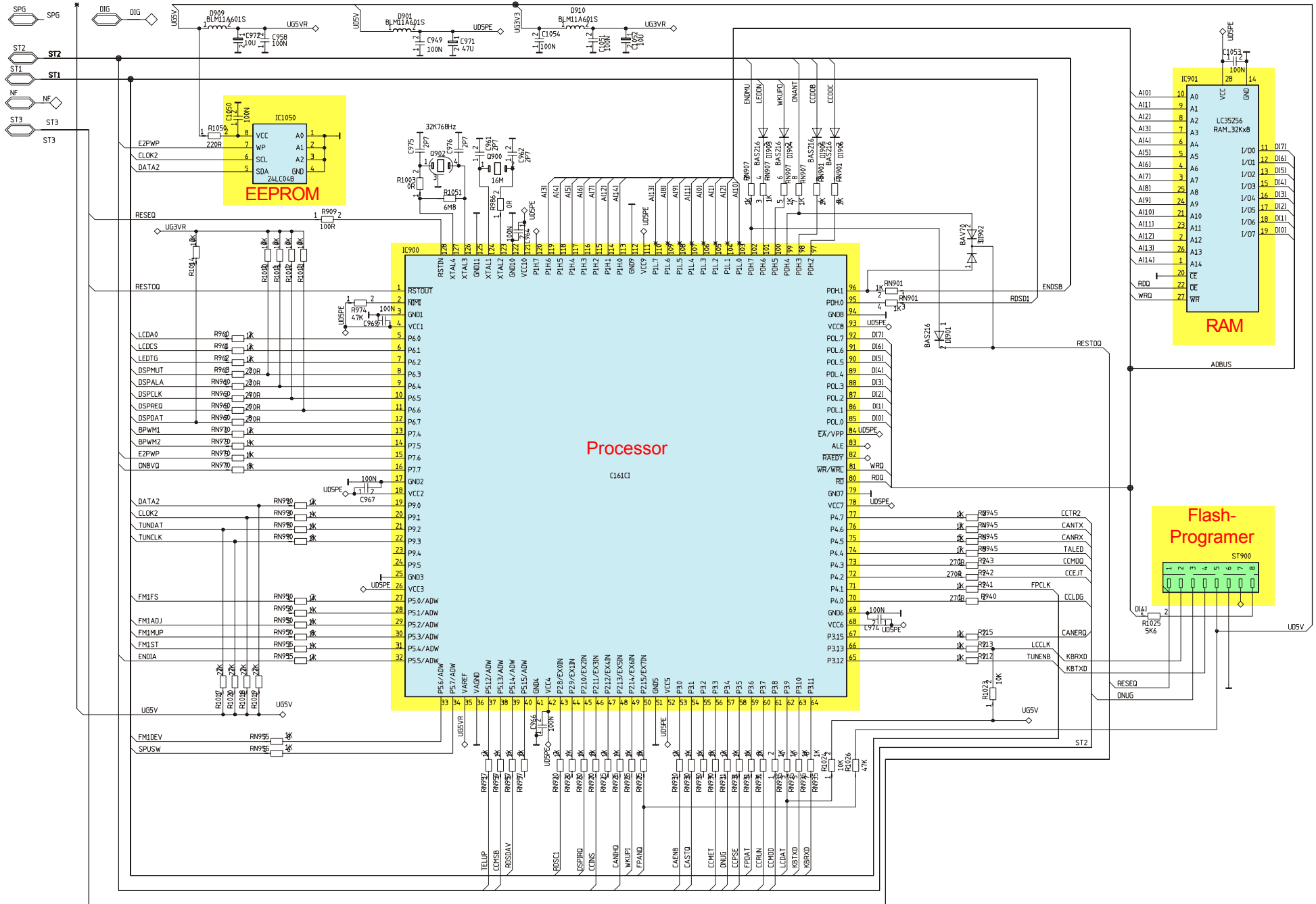


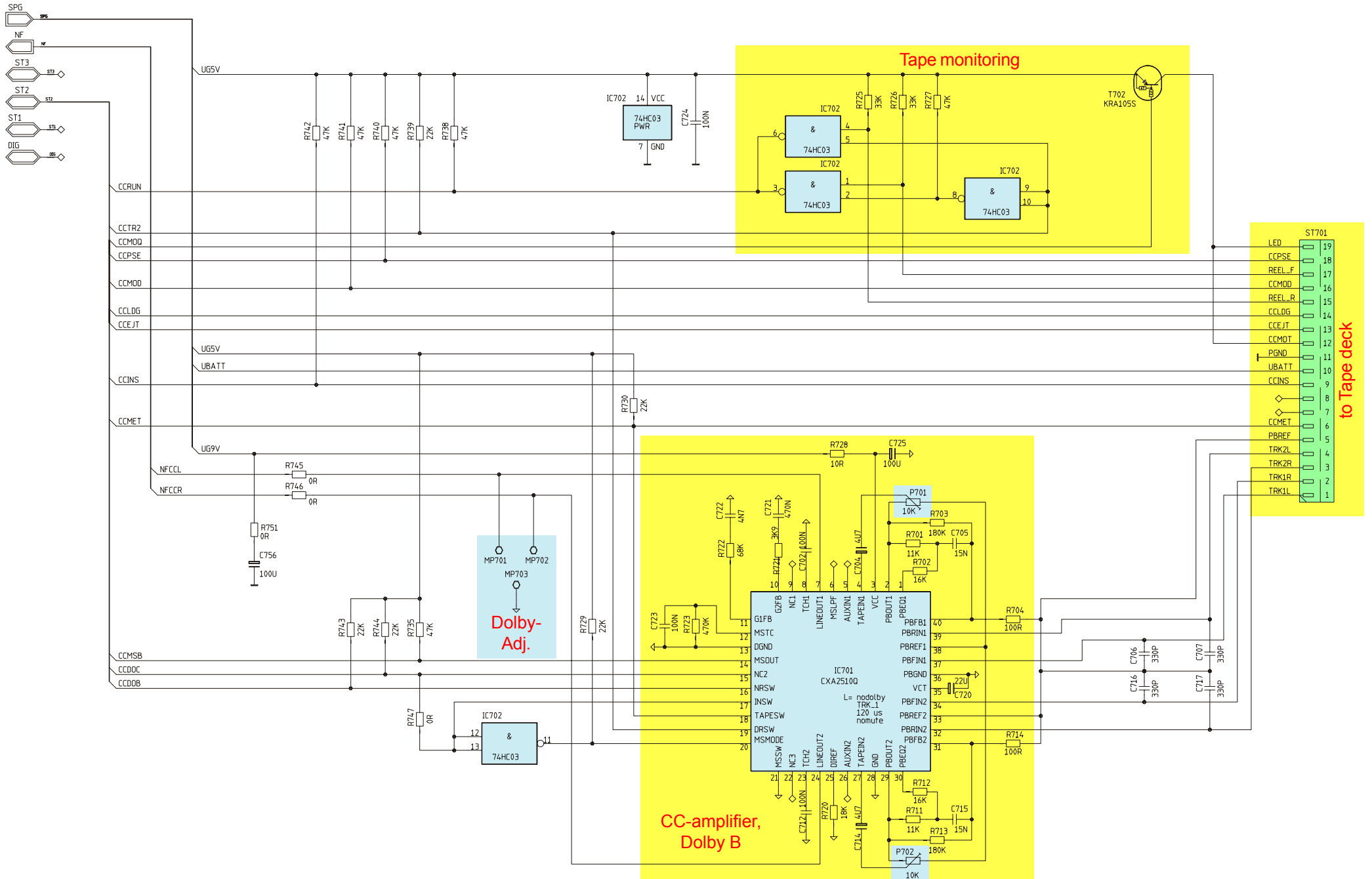
- FM-Signal way → FM-Multipath →
- AM-Signal way → FM/AM-Stop →
- FM-fieldstrength → FM/AM-Oscil. →

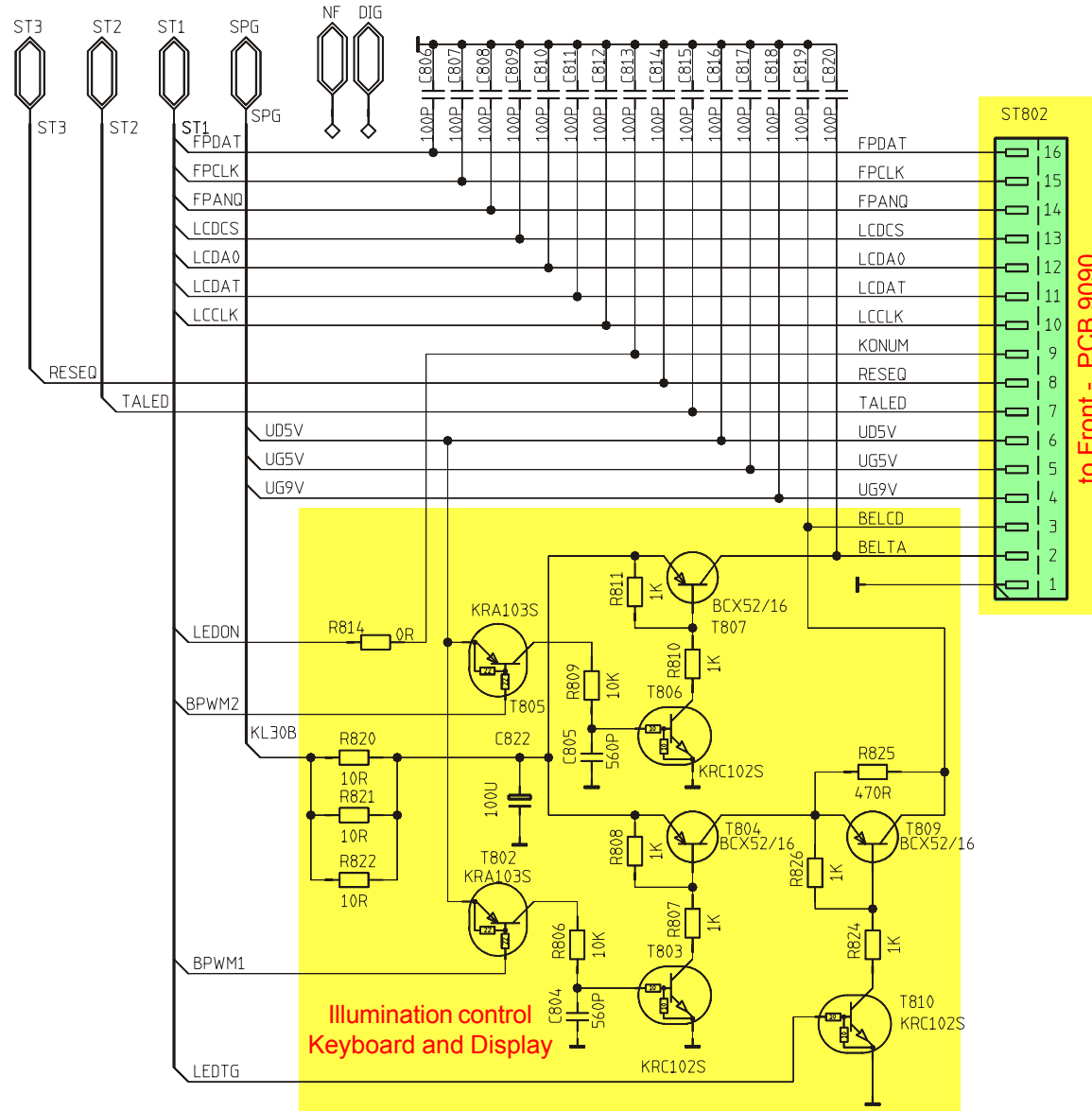


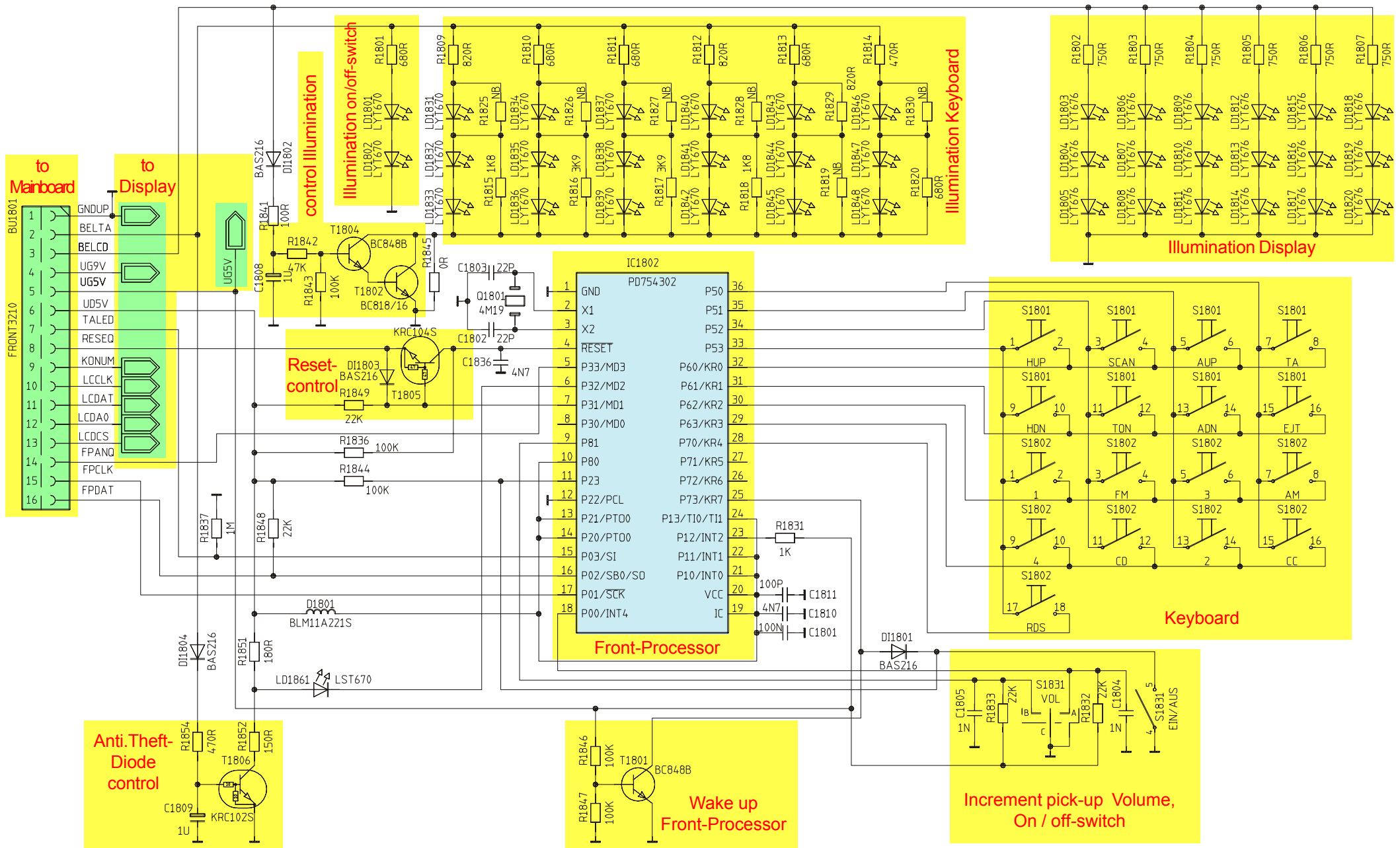


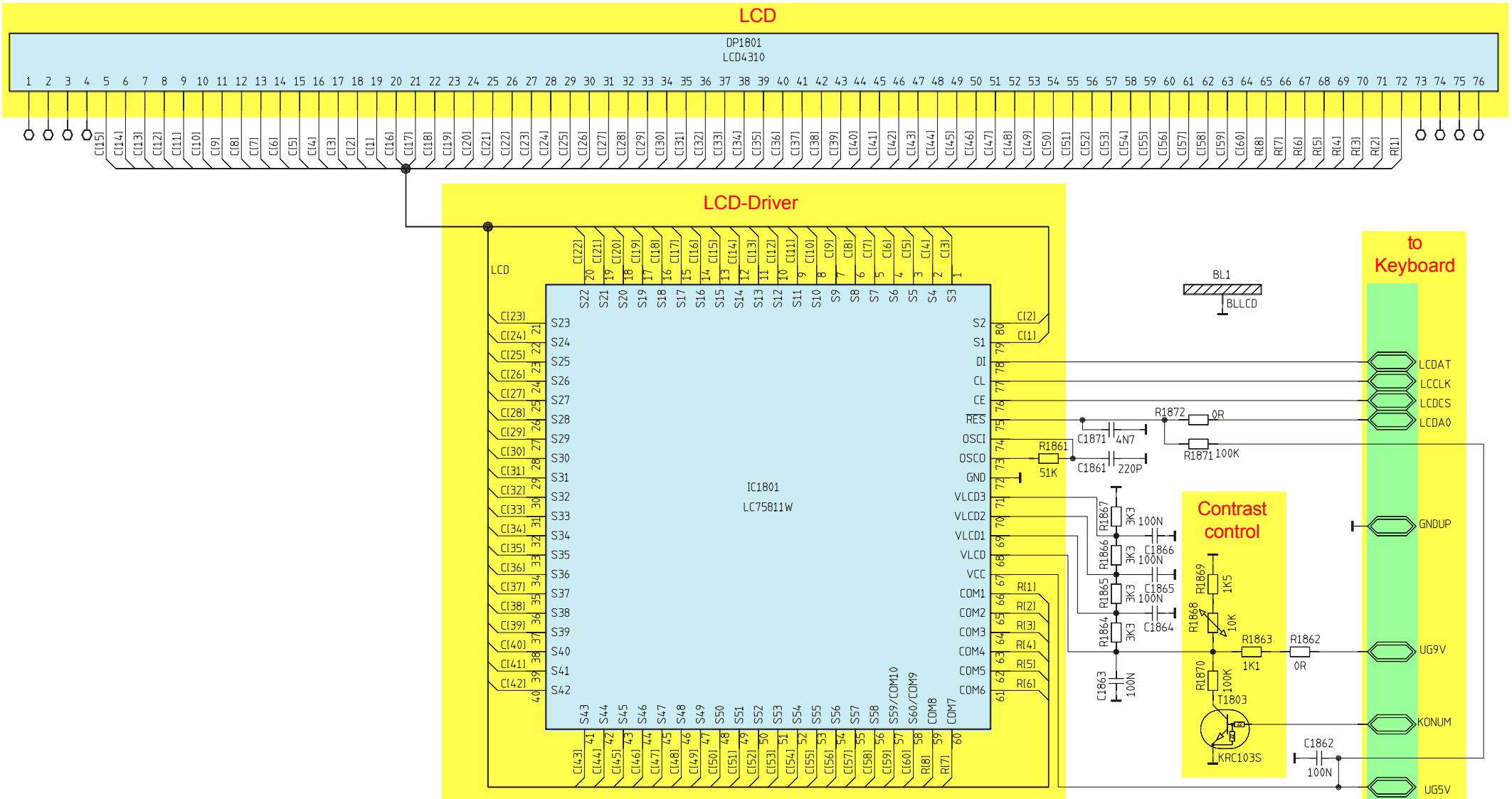






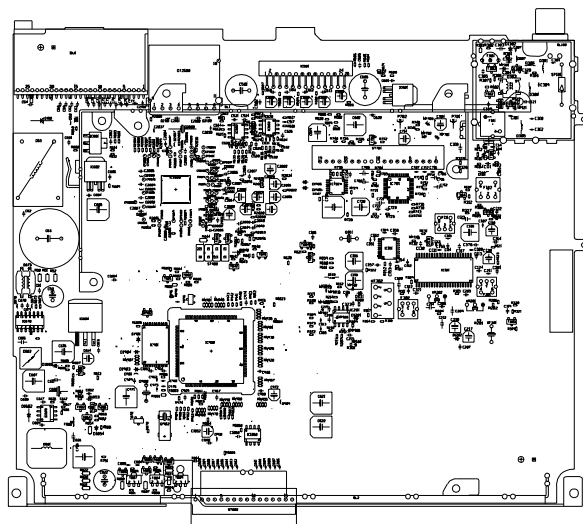






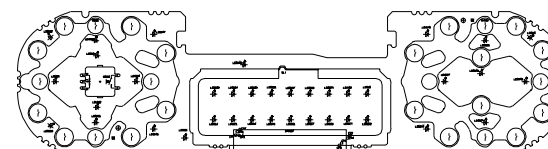
4010 Main Board

Main Board - bs - 19LL 2



9090 Front

Front - bs/lS - 29DL 4



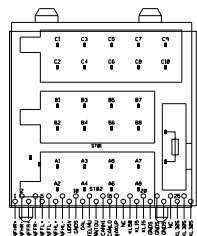
Components side

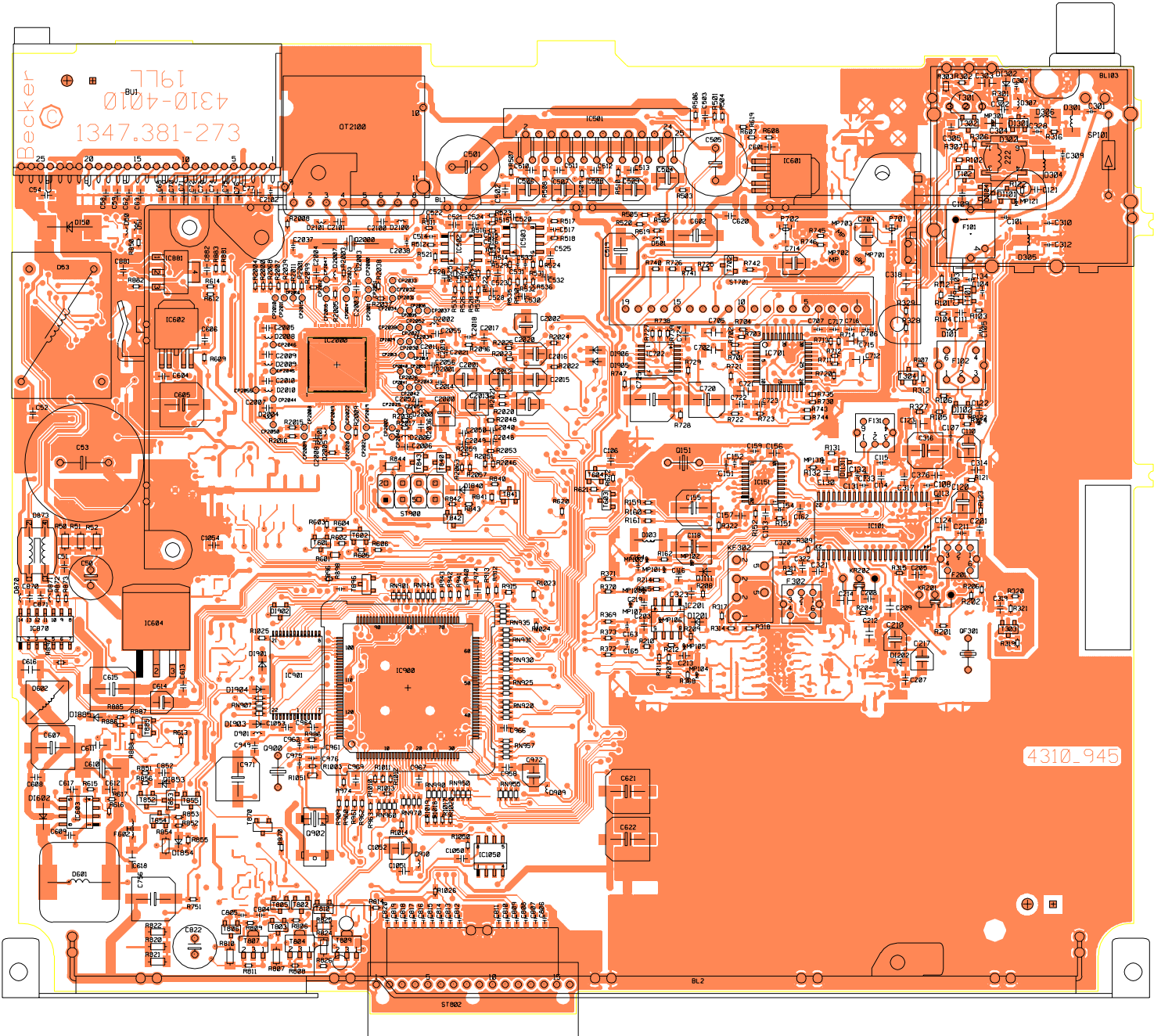


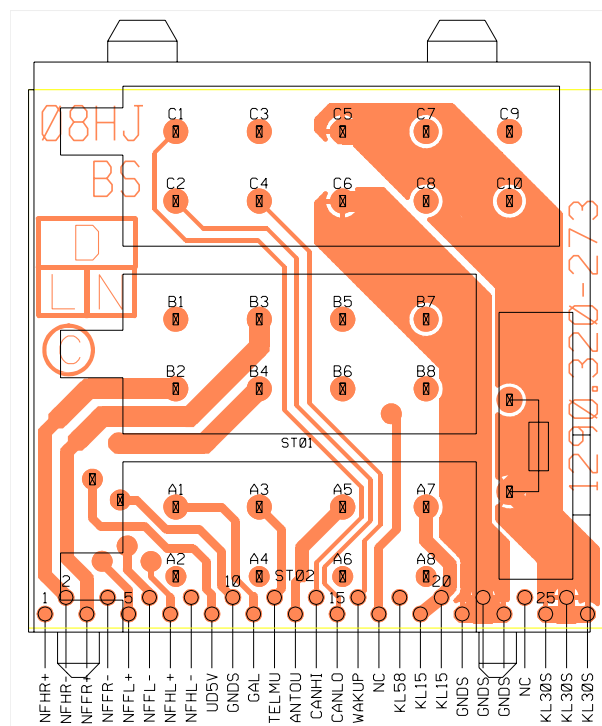
Soldering side

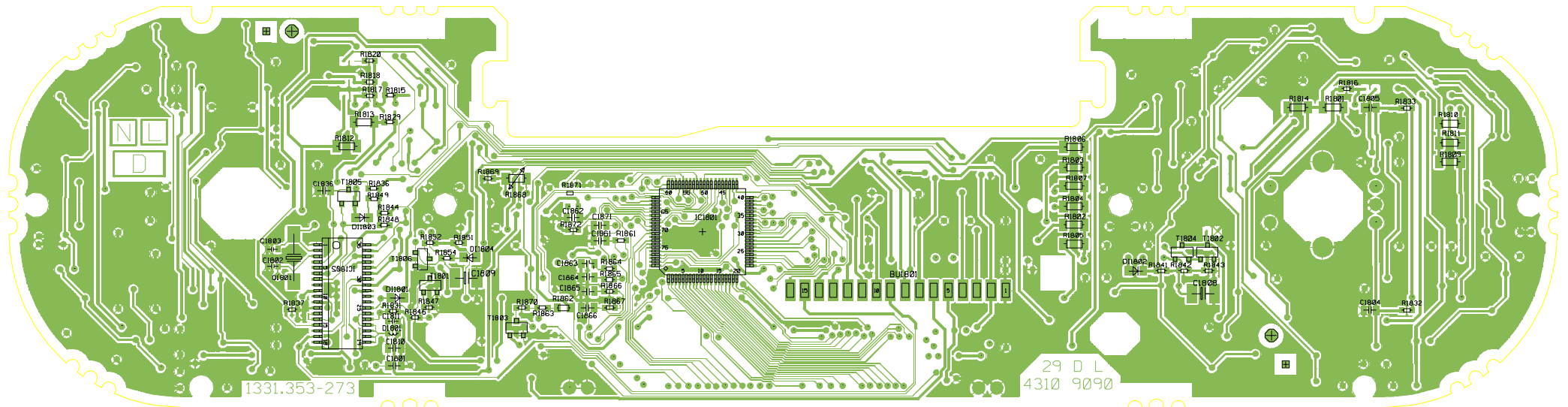
4040 Connector

Connector - bs - 08HJ 3

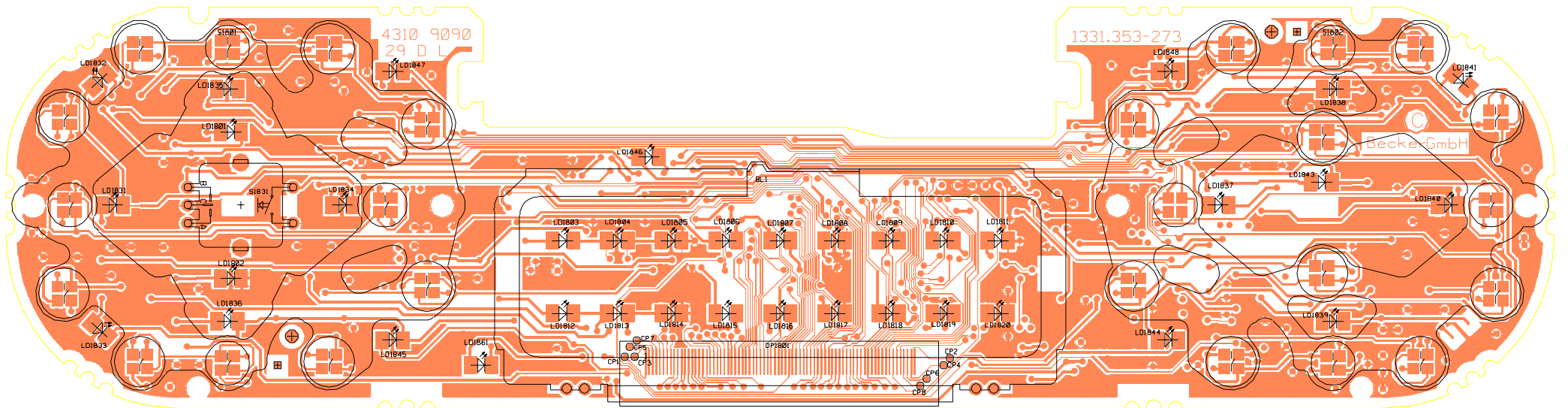








Soldering side - Board 9090



Components side - Board 9090

Pos.	Part.-No.	Denomination
1	1311204	CHASSIS
2	1329499	HEAT CONTACTOR
3	1311212	COVER, CHASSIS
4	1310895	END WALL WGR 11418
5	1248316	SCREENING FRAME-FM- WITH ANT.SOCKET
6	1278916	CONNECTOR 21 POL D&R K37000300
7	1271997	PROTECTION -D2B HEADER- AMP 969 272-2
8	1246909	HEAT SINK 3310 WGR11318
9	1246917	IC-HOLDER
10	1271210	TAPEDECK ASSY ALP GR71S31B
11		OPERATION ESCUTCHEON 4311
12	1311190	TRIM PLATE CPL. WITH CLOSING FLAP
13	1363093	P.C.BORD 9090 FRONT ASSY
14	1363115	KEY EJECT
15	1363123	KEY, SC
16	1363141	KEY, LOUDSPEAKER
17	1363158	KEY, TONE
18	1363166	KEY, CC
19	1363174	KEY, FM
20	1363182	KEY, AM
21	1363190	KEY, CD
22	1363204	KEY CROSS TRANSMITTER SEARCH
23	1363212	KEY CROSS STATION BUTTONS
24	1363247	KEY, AS
25	1318276	TRAVERSE
26	1310852	CONTACT MAT, LEFT
27	1310860	CONTACT MAT, RIGHT
28	1310798	AKTUATOR, CC/CD WGR 11419
29	1310755	CLOSING FLAP
30	1310763	CONTROL CLOSING FLAP
31	1310771	LEVER CONTROL
32	1342691	TORSIO SPRING
33	1310879	BUTTON
C101	1223917	CECA-CH 2P7 J NP0 0603 BAW SPE0030A315
C103	1246380	CECA-CH 3P9 C NP0 0603 BAW SPE0031A315
C104	1223951	CECA-CH 22P J NP0 0603 BAW SPE0030A315
C105	1231014	CECA-CH 56P J NP0 0603 BAW SPE0030A315
C1050	1246348	CECA-CH 100N K X7R 0805 BAW SPE0035A315
C1051	1246348	CECA-CH 100N K X7R 0805 BAW SPE0035A315
C1052	1275879	ALCA-CH 10U M 16V I G BAW SPE0162A312
C1053	1246348	CECA-CH 100N K X7R 0805 BAW SPE0035A315
C1054	1246348	CECA-CH 100N K X7R 0805 BAW SPE0035A315
C106	1119125	CECA-CH 10N K X7R 0805 BAW SPE0015A315
C107	1234536	CECA-CH 100P J NP0 0603 BAW SPE0030A315
C108	1227653	CECA-CH 12P J NP0 0603 BAW SPE0030A
C109	1119125	CECA-CH 10N K X7R 0805 BAW SPE0015A315
C110	1275879	ALCA-CH 10U M 16V I G BAW SPE0162A312
C111	1119125	CECA-CH 10N K X7R 0805 BAW SPE0015A315
C113	1166751	CECA-CH 4N7 K X7R 0805 BAW SPE0015A315
C114	1246348	CECA-CH 100N K X7R 0805 BAW SPE0035A315
C115	1252690	CECA-CH 470P J NP0 0603 BAW SPE0030A315

C116	1246348	CECA-CH 100N K X7R 0805 BAW SPE0035A315
C118	1276948	ALCA-CH 22U M 16V I G BAW SPE0163A312
C119	1119060	CECA-CH 1N K X7R 0805 BAW SPE0015A315
C120	1275879	ALCA-CH 10U M 16V I G BAW SPE0162A312
C121	1119125	CECA-CH 10N K X7R 0805 BAW SPE0015A315
C122	1119125	CECA-CH 10N K X7R 0805 BAW SPE0015A315
C123	1246321	CECA-CH 220N K X7R 1206 BAW SPE0036A315
C124	1246348	CECA-CH 100N K X7R 0805 BAW SPE0035A315
C130	1119060	CECA-CH 1N K X7R 0805 BAW SPE0015A315
C131	1223968	CECA-CH 33P J NP0 0603 BAW SPE0030A315
C132	1223984	CECA-CH 68P J NP0 0603 BAW SPE0030A315
C133	1223933	CECA-CH 15P J NP0 0603 BAW SPE0030A315
C134	1246380	CECA-CH 3P9 C NP0 0603 BAW SPE0031A315
C151	1237683	CECA-CH 4P7 J NP0 0603 BAW SPE0030A315
C152	1237683	CECA-CH 4P7 J NP0 0603 BAW SPE0030A315
C153	1119125	CECA-CH 10N K X7R 0805 BAW SPE0015A315
C154	1275992	CECA-CH 330P J NP0 0603 BAW SPE0030A315
C155	1276948	ALCA-CH 22U M 16V I G BAW SPE0163A312
C156	1119125	CECA-CH 10N K X7R 0805 BAW SPE0015A315
C157	1246348	CECA-CH 100N K X7R 0805 BAW SPE0035A315
C159	1223968	CECA-CH 33P J NP0 0603 BAW SPE0030A315
C162	1119125	CECA-CH 10N K X7R 0805 BAW SPE0015A315
C163	1234536	CECA-CH 100P J NP0 0603 BAW SPE0030A315
C164	1234536	CECA-CH 100P J NP0 0603 BAW SPE0030A315
C165	1234536	CECA-CH 100P J NP0 0603 BAW SPE0030A315
C1801	1246348	CECA-CH 100N K X7R 0805 BAW SPE0035A315
C1802	1223951	CECA-CH 22P J NP0 0603 BAW SPE0030A315
C1803	1223951	CECA-CH 22P J NP0 0603 BAW SPE0030A315
C1804	1173324	CECA-CH 1N J NP0 0805 BAW SPE0003A315
C1805	1173324	CECA-CH 1N J NP0 0805 BAW SPE0003A315
C1808	1238647	TACA-CH 1U K B G 35V BAW SPE0005A313
C1809	1238647	TACA-CH 1U K B G 35V BAW SPE0005A313
C1810	1166751	CECA-CH 4N7 K X7R 0805 BAW SPE0015A315
C1811	1234536	CECA-CH 100P J NP0 0603 BAW SPE0030A315
C1836	1246348	CECA-CH 100N K X7R 0805 BAW SPE0035A315
C1861	1066099	CECA-CH 220P J NP0 0805 BAW SPE0003A315
C1862	1246348	CECA-CH 100N K X7R 0805 BAW SPE0035A315
C1863	1246348	CECA-CH 100N K X7R 0805 BAW SPE0035A315
C1864	1246348	CECA-CH 100N K X7R 0805 BAW SPE0035A315
C1865	1246348	CECA-CH 100N K X7R 0805 BAW SPE0035A315
C1866	1246348	CECA-CH 100N K X7R 0805 BAW SPE0035A315
C1871	1166751	CECA-CH 4N7 K X7R 0805 BAW SPE0015A315
C2000	1275879	ALCA-CH 10U M 16V I G BAW SPE0162A312
C2001	1275879	ALCA-CH 10U M 16V I G BAW SPE0162A312
C2002	1275879	ALCA-CH 10U M 16V I G BAW SPE0162A312
C2003	1283499	CECA-CH 1U K X7R 0805 10V MUR GRM 40
C2004	1283499	CECA-CH 1U K X7R 0805 10V MUR GRM 40
C2005	1283499	CECA-CH 1U K X7R 0805 10V MUR GRM 40
C2006	1283499	CECA-CH 1U K X7R 0805 10V MUR GRM 40
C2007	1283499	CECA-CH 1U K X7R 0805 10V MUR GRM 40
C2008	1283499	CECA-CH 1U K X7R 0805 10V MUR GRM 40
C2009	1283499	CECA-CH 1U K X7R 0805 10V MUR GRM 40

C201	1119125	CECA-CH 10N K X7R 0805 BAW SPE0015A315
C2010	1283499	CECA-CH 1U K X7R 0805 10V MUR GRM 40
C2011	1246348	CECA-CH 100N K X7R 0805 BAW SPE0035A315
C2012	1275879	ALCA-CH 10U M 16V I G BAW SPE0162A312
C2013	1275879	ALCA-CH 10U M 16V I G BAW SPE0162A312
C2014	1223951	CECA-CH 22P J NP0 0603 BAW SPE0030A315
C2015	1275879	ALCA-CH 10U M 16V I G BAW SPE0162A312
C2016	1275879	ALCA-CH 10U M 16V I G BAW SPE0162A312
C2017	1283499	CECA-CH 1U K X7R 0805 10V MUR GRM 40
C2018	1223951	CECA-CH 22P J NP0 0603 BAW SPE0030A315
C2019	1234536	CECA-CH 100P J NP0 0603 BAW SPE0030A315
C2020	1275879	ALCA-CH 10U M 16V I G BAW SPE0162A312
C2021	1234536	CECA-CH 100P J NP0 0603 BAW SPE0030A315
C203	1246348	CECA-CH 100N K X7R 0805 BAW SPE0035A315
C2036	1246348	CECA-CH 100N K X7R 0805 BAW SPE0035A315
C2037	1223951	CECA-CH 22P J NP0 0603 BAW SPE0030A315
C2038	1223951	CECA-CH 22P J NP0 0603 BAW SPE0030A315
C2040	1119133	CECA-CH 15N J X7R 0805 BAW SPE0014A315
C2048	1276220	CECA-CH 2N2 J X7R 0805 50V BAW SPE0014A
C2049	1276220	CECA-CH 2N2 J X7R 0805 50V BAW SPE0014A
C205	1246348	CECA-CH 100N K X7R 0805 BAW SPE0035A315
C2050	1276220	CECA-CH 2N2 J X7R 0805 50V BAW SPE0014A
C2055	1246348	CECA-CH 100N K X7R 0805 BAW SPE0035A315
C2056	1246348	CECA-CH 100N K X7R 0805 BAW SPE0035A315
C2057	1246348	CECA-CH 100N K X7R 0805 BAW SPE0035A315
C207	1173324	CECA-CH 1N J NP0 0805 BAW SPE0003A315
C208	1119125	CECA-CH 10N K X7R 0805 BAW SPE0015A315
C209	1252585	CECA-CH 470N J X5R 1206 16V MUR GRM42-6
C210	1275879	ALCA-CH 10U M 16V I G BAW SPE0162A312
C2100	1283499	CECA-CH 1U K X7R 0805 10V MUR GRM 40
C2101	1283499	CECA-CH 1U K X7R 0805 10V MUR GRM 40
C2102	1223933	CECA-CH 15P J NP0 0603 BAW SPE0030A315
C211	1234536	CECA-CH 100P J NP0 0603 BAW SPE0030A315
C212	1255711	CECA-CH 220N J X7R 1206 BAW SPE0037A315
C213	1283499	CECA-CH 1U K X7R 0805 10V MUR GRM 40
C214	1255711	CECA-CH 220N J X7R 1206 BAW SPE0037A315
C217	1307797	ALCA-CH 4U7 M 25V I G BAW SPE0164A312
C219	1119192	CECA-CH 33N K X7R 0805 BAW SPE0015A315
C301	1230077	CECA-CH 1N J NPO 0603 50V SPE0060A315
C302	1119125	CECA-CH 10N K X7R 0805 BAW SPE0015A315
C303	1246321	CECA-CH 220N K X7R 1206 BAW SPE0036A315
C304	1246321	CECA-CH 220N K X7R 1206 BAW SPE0036A315
C305	1246348	CECA-CH 100N K X7R 0805 BAW SPE0035A315
C307	1223941	CECA-CH 18P J NP0 0603 BAW SPE0030A315
C309	1233971	CECA-CH 10P J NP0 0603 BAW SPE0030A315
C310	1243012	CECA-CH 27P J NPO 0603 BAW SPE0030A315
C312	1223933	CECA-CH 15P J NP0 0603 BAW SPE0030A315
C314	1246348	CECA-CH 100N K X7R 0805 BAW SPE0035A315
C316	1276948	ALCA-CH 22U M 16V I G BAW SPE0163A312
C317	1119176	CECA-CH 22N J X7R 0805 BAW SPE0014A315
C318	1283235	CECA-CH 4U7 K X5R 1206 10V MUR GMR42-6
C319	1246348	CECA-CH 100N K X7R 0805 BAW SPE0035A315

C320	1255711	CECA-CH 220N J X7R 1206 BAW SPE0037A315
C321	1173324	CECA-CH 1N J NP0 0805 BAW SPE0003A315
C322	1119125	CECA-CH 10N K X7R 0805 BAW SPE0015A315
C323	1246348	CECA-CH 100N K X7R 0805 BAW SPE0035A315
C328	1259253	CECA-CH 220P J NP0 0603 BAW SPE0030A315
C376	1246348	CECA-CH 100N K X7R 0805 BAW SPE0035A315
C50	1229974	AL-ELCA 100U M 25V I G BAW SPE0108 RM2,5
C501	1186973	AL-ELCA 1M M 25V G BAW SPE0074A312-RM5
C502	1246348	CECA-CH 100N K X7R 0805 BAW SPE0035A315
C503	1246348	CECA-CH 100N K X7R 0805 BAW SPE0035A315
C504	1258907	ALCA-CH 1U M 50V I G BAW SPE0161A312
C505	1219480	AL-ELCA 470U M 16V G BAW SPE0107A312 RM5
C506	1258907	ALCA-CH 1U M 50V I G BAW SPE0161A312
C507	1258907	ALCA-CH 1U M 50V I G BAW SPE0161A312
C508	1258907	ALCA-CH 1U M 50V I G BAW SPE0161A312
C509	1258907	ALCA-CH 1U M 50V I G BAW SPE0161A312
C51	1119125	CECA-CH 10N K X7R 0805 BAW SPE0015A315
C510	1326902	CECA-CH 2N7 J COH 0805 25V G MUR GRM40
C511	1326902	CECA-CH 2N7 J COH 0805 25V G MUR GRM40
C512	1326902	CECA-CH 2N7 J COH 0805 25V G MUR GRM40
C513	1326902	CECA-CH 2N7 J COH 0805 25V G MUR GRM40
C514	1234536	CECA-CH 100P J NP0 0603 BAW SPE0030A315
C515	1234536	CECA-CH 100P J NP0 0603 BAW SPE0030A315
C516	1234536	CECA-CH 100P J NP0 0603 BAW SPE0030A315
C517	1234536	CECA-CH 100P J NP0 0603 BAW SPE0030A315
C519	1276948	ALCA-CH 22U M 16V I G BAW SPE0163A312
C52	1246348	CECA-CH 100N K X7R 0805 BAW SPE0035A315
C520	1317148	CECA-CH 470N K X7R 0805 25V MUR GRM40
C521	1317148	CECA-CH 470N K X7R 0805 25V MUR GRM40
C522	1156624	CECA-CH 820P J NP0 0805 BAW SPE0003A315
C523	1156624	CECA-CH 820P J NP0 0805 BAW SPE0003A315
C524	1156624	CECA-CH 820P J NP0 0805 BAW SPE0003A315
C525	1156624	CECA-CH 820P J NP0 0805 BAW SPE0003A315
C526	1156624	CECA-CH 820P J NP0 0805 BAW SPE0003A315
C527	1234536	CECA-CH 100P J NP0 0603 BAW SPE0030A315
C528	1156624	CECA-CH 820P J NP0 0805 BAW SPE0003A315
C529	1234536	CECA-CH 100P J NP0 0603 BAW SPE0030A315
C53	1290282	AL-ELCA 2M2 M 25V G BAW SPE0084A312RM7,5
C530	1156624	CECA-CH 820P J NP0 0805 BAW SPE0003A315
C531	1234536	CECA-CH 100P J NP0 0603 BAW SPE0030A315
C532	1156624	CECA-CH 820P J NP0 0805 BAW SPE0003A315
C533	1234536	CECA-CH 100P J NP0 0603 BAW SPE0030A315
C54	1246348	CECA-CH 100N K X7R 0805 BAW SPE0035A315
C58	1119125	CECA-CH 10N K X7R 0805 BAW SPE0015A315
C59	1119125	CECA-CH 10N K X7R 0805 BAW SPE0015A315
C601	1246348	CECA-CH 100N K X7R 0805 BAW SPE0035A315
C602	1313045	ALCA-CH 47U M 16V I G BAW SPE0166A312
C604	1246348	CECA-CH 100N K X7R 0805 BAW SPE0035A315
C605	1313045	ALCA-CH 47U M 16V I G BAW SPE0166A312
C606	1246348	CECA-CH 100N K X7R 0805 BAW SPE0035A315
C607	1313037	ALCA-CH 22U M 35V I G BAW SPE0165A312
C608	1246348	CECA-CH 100N K X7R 0805 BAW SPE0035A315

C609	1119125	CECA-CH 10N K X7R 0805 BAW SPE0015A315
C610	1249630	TACA-CH 100U M D G 10V SNPB SIE B45197-A
C611	1351990	CECA-CH 10U Z Y5V 1206 10V BAW SPE55A315
C612	1246348	CECA-CH 100N K X7R 0805 BAW SPE0035A315
C613	1246348	CECA-CH 100N K X7R 0805 BAW SPE0035A315
C614	1307797	ALCA-CH 4U7 M 25V I G BAW SPE0164A312
C615	1313045	ALCA-CH 47U M 16V I G BAW SPE0166A312
C616	1350218	CECA-CH 10U Z Y5V 1210 25V SPE0050A315
C617	1119125	CECA-CH 10N K X7R 0805 BAW SPE0015A315
C618	1351990	CECA-CH 10U Z Y5V 1206 10V BAW SPE55A315
C62	1119125	CECA-CH 10N K X7R 0805 BAW SPE0015A315
C620	1246348	CECA-CH 100N K X7R 0805 BAW SPE0035A315
C63	1119125	CECA-CH 10N K X7R 0805 BAW SPE0015A315
C65	1119125	CECA-CH 10N K X7R 0805 BAW SPE0015A315
C70	1119125	CECA-CH 10N K X7R 0805 BAW SPE0015A315
C702	1372106	FOCA-CH 100N J 1210 16V G PAN ECHU J X5
C704	1307797	ALCA-CH 4U7 M 25V I G BAW SPE0164A312
C705	1372092	FOCA-CH 15N J 1206 16V G PAN ECHU J X5
C706	1275992	CECA-CH 330P J NP0 0603 BAW SPE0030A315
C707	1275992	CECA-CH 330P J NP0 0603 BAW SPE0030A315
C71	1119125	CECA-CH 10N K X7R 0805 BAW SPE0015A315
C712	1372106	FOCA-CH 100N J 1210 16V G PAN ECHU J X5
C714	1307797	ALCA-CH 4U7 M 25V I G BAW SPE0164A312
C715	1372092	FOCA-CH 15N J 1206 16V G PAN ECHU J X5
C716	1275992	CECA-CH 330P J NP0 0603 BAW SPE0030A315
C717	1275992	CECA-CH 330P J NP0 0603 BAW SPE0030A315
C72	1119125	CECA-CH 10N K X7R 0805 BAW SPE0015A315
C720	1276948	ALCA-CH 22U M 16V I G BAW SPE0163A312
C721	1252585	CECA-CH 470N J X5R 1206 16V MUR GRM42-6
C722	1166751	CECA-CH 4N7 K X7R 0805 BAW SPE0015A315
C723	1246348	CECA-CH 100N K X7R 0805 BAW SPE0035A315
C724	1246348	CECA-CH 100N K X7R 0805 BAW SPE0035A315
C725	1312154	ALCA-CH 47U M 25V I G NCC MV F60
C73	1119125	CECA-CH 10N K X7R 0805 BAW SPE0015A315
C74	1119125	CECA-CH 10N K X7R 0805 BAW SPE0015A315
C75	1119125	CECA-CH 10N K X7R 0805 BAW SPE0015A315
C76	1119125	CECA-CH 10N K X7R 0805 BAW SPE0015A315
C77	1119125	CECA-CH 10N K X7R 0805 BAW SPE0015A315
C804	1270540	CECA-CH 560P J NPO 0603 50V MUR GRM39
C805	1270540	CECA-CH 560P J NPO 0603 50V MUR GRM39
C806	1234536	CECA-CH 100P J NP0 0603 BAW SPE0030A315
C807	1234536	CECA-CH 100P J NP0 0603 BAW SPE0030A315
C808	1234536	CECA-CH 100P J NP0 0603 BAW SPE0030A315
C809	1234536	CECA-CH 100P J NP0 0603 BAW SPE0030A315
C810	1234536	CECA-CH 100P J NP0 0603 BAW SPE0030A315
C811	1234536	CECA-CH 100P J NP0 0603 BAW SPE0030A315
C812	1234536	CECA-CH 100P J NP0 0603 BAW SPE0030A315
C813	1234536	CECA-CH 100P J NP0 0603 BAW SPE0030A315
C814	1234536	CECA-CH 100P J NP0 0603 BAW SPE0030A315
C815	1234536	CECA-CH 100P J NP0 0603 BAW SPE0030A315
C816	1234536	CECA-CH 100P J NP0 0603 BAW SPE0030A315
C817	1234536	CECA-CH 100P J NP0 0603 BAW SPE0030A315

C818	1234536	CECA-CH 100P J NP0 0603 BAW SPE0030A315
C819	1234536	CECA-CH 100P J NP0 0603 BAW SPE0030A315
C820	1234536	CECA-CH 100P J NP0 0603 BAW SPE0030A315
C822	1229974	AL-ELCA 100U M 25V I G BAW SPE0108 RM2,5
C852	1119125	CECA-CH 10N K X7R 0805 BAW SPE0015A315
C870	1246348	CECA-CH 100N K X7R 0805 BAW SPE0035A315
C871	1246348	CECA-CH 100N K X7R 0805 BAW SPE0035A315
C881	1246348	CECA-CH 100N K X7R 0805 BAW SPE0035A315
C882	1246348	CECA-CH 100N K X7R 0805 BAW SPE0035A315
C896	1230077	CECA-CH 1N J NPO 0603 50V SPE0060A315
C949	1246348	CECA-CH 100N K X7R 0805 BAW SPE0035A315
C958	1246348	CECA-CH 100N K X7R 0805 BAW SPE0035A315
C961	1223917	CECA-CH 2P7 J NP0 0603 BAW SPE0030A315
C962	1223917	CECA-CH 2P7 J NP0 0603 BAW SPE0030A315
C964	1246348	CECA-CH 100N K X7R 0805 BAW SPE0035A315
C966	1246348	CECA-CH 100N K X7R 0805 BAW SPE0035A315
C967	1246348	CECA-CH 100N K X7R 0805 BAW SPE0035A315
C969	1246348	CECA-CH 100N K X7R 0805 BAW SPE0035A315
C971	1312154	ALCA-CH 47U M 25V I G NCC MV F60
C972	1275879	ALCA-CH 10U M 16V I G BAW SPE0162A312
C974	1246348	CECA-CH 100N K X7R 0805 BAW SPE0035A315
C975	1223917	CECA-CH 2P7 J NP0 0603 BAW SPE0030A315
C976	1223917	CECA-CH 2P7 J NP0 0603 BAW SPE0030A315
D101	1178237	CHOKE-CH 2,2UH K G SIE B82422-A1222-K
D103	1289950	CHOKE-CH 10UH K G SIE B82432-A1103-K
D1801	1227221	INDUCTOR-CH G MUR BLM18AG221SN1D
D2000	1305591	INDUCTOR-CH G MUR BLM18AG601SN1D
D2001	1305591	INDUCTOR-CH G MUR BLM18AG601SN1D
D2002	1305591	INDUCTOR-CH G MUR BLM18AG601SN1D
D2003	1305591	INDUCTOR-CH G MUR BLM18AG601SN1D
D2004	1305591	INDUCTOR-CH G MUR BLM18AG601SN1D
D2005	1305591	INDUCTOR-CH G MUR BLM18AG601SN1D
D2006	1305591	INDUCTOR-CH G MUR BLM18AG601SN1D
D2007	1305591	INDUCTOR-CH G MUR BLM18AG601SN1D
D2008	1305591	INDUCTOR-CH G MUR BLM18AG601SN1D
D2009	1305591	INDUCTOR-CH G MUR BLM18AG601SN1D
D2010	1305591	INDUCTOR-CH G MUR BLM18AG601SN1D
D2100	1305591	INDUCTOR-CH G MUR BLM18AG601SN1D
D2101	1305591	INDUCTOR-CH G MUR BLM18AG601SN1D
D301	1178237	CHOKE-CH 2,2UH K G SIE B82422-A1222-K
D302	1249398	CHOKE-CH 2,2MH K G MSI C6-R/3333
D304	1245368	CHOKE-CH 68UH K G SIE B82432-S1683-K
D305	1245368	CHOKE-CH 68UH K G SIE B82432-S1683-K
D306	1148494	CHOKE-CH 0,47UH J G SIE B82422-A3471-J
D307	1292706	CHOKE-CH 150 NH K G SIE B82498-B3151-K
D50	1305591	INDUCTOR-CH G MUR BLM18AG601SN1D
D501	1305591	INDUCTOR-CH G MUR BLM18AG601SN1D
D51	1305591	INDUCTOR-CH G MUR BLM18AG601SN1D
D53	1244922	CHOKE,BATT.- 200UH VOG 5730409900
D601	1297570	CHOKE-CH 100UH M G SUM CDRH 125
D602	1306030	CHOKE-CH 39UH M G MSI C6-K
D870	1305591	INDUCTOR-CH G MUR BLM18AG601SN1D

D871	1305591	INDUCTOR-CH G MUR BLM18AG601SN1D
D873	1245104	CHOKE-CH 51UH N 0,5A G SIE B82790
D901	1305591	INDUCTOR-CH G MUR BLM18AG601SN1D
D909	1305591	INDUCTOR-CH G MUR BLM18AG601SN1D
D910	1305591	INDUCTOR-CH G MUR BLM18AG601SN1D
DI101	1217186	DIODE-CH SIE BB914 G
DI102	1217186	DIODE-CH SIE BB914 G
DI104	1229788	DIODE-CH BAW BA779-2/1SV234/DPA05 G SPE
DI111	1345532	DIODE-CH ROH 1SS355
DI131	1217186	DIODE-CH SIE BB914 G
DI1801	1345532	DIODE-CH ROH 1SS355
DI1802	1345532	DIODE-CH ROH 1SS355
DI1803	1345532	DIODE-CH ROH 1SS355
DI1804	1345532	DIODE-CH ROH 1SS355
DI201	1345532	DIODE-CH ROH 1SS355
DI202	1345532	DIODE-CH ROH 1SS355
DI301	1229788	DIODE-CH BAW BA779-2/1SV234/DPA05 G SPE
DI302	1345532	DIODE-CH ROH 1SS355
DI50	1179683	DIODE-CH GIC S3B G
DI602	1292161	DIODE-CH SCHOTTKY TEL BYS 10-35 G
DI840	1076353	DIODE-CH BAW 5V6 2% SHIP-TO-STOCK G SPE0
DI853	1345532	DIODE-CH ROH 1SS355
DI854	1345532	DIODE-CH ROH 1SS355
DI885	1345532	DIODE-CH ROH 1SS355
DI901	1345532	DIODE-CH ROH 1SS355
DI902	0672475	DIODE-CH BAW BAV70 SHIP-TO-STOCK G SPE00
DI903	1345532	DIODE-CH ROH 1SS355
DI904	1345532	DIODE-CH ROH 1SS355
DI905	1345532	DIODE-CH ROH 1SS355
DI906	1345532	DIODE-CH ROH 1SS355
F101	1295004	FILT.,FMZ-100MHZ TOK MC122 E528ENAS-A014
F102	1253395	FILTER, FMZ- 100MHZ TOK/P666SNS-256Z-RT
F131	1340700	FILTER,AMO/FMO 120MHZ TOK T369INS-A416RT
F201	1328931	FILTER,FM-ZF - 10,7MHZ MSI M5-F1/33303
F302	1247115	FILTER, AM-ZF- 450KHZ TOK 5PAG (C805LN-0
F602	1276654	FILT-CH 2N2+-50 25V G MUR NFE31PT222Z1E9
IC101	1379488	IC-CH ATM U4255BM-BFN G3 R11B
IC1050	1225162	IC-CH AMC 24LC04BT-I/SN G
IC151	1347111	IC-CH TEL U4256BM-NFSG3 DATECODE 09/22
IC1801	1331256	IC-CH SAY LC75811W-1331.256 (8717HS)
IC1802	1299662	IC-CH NEC UPD 754302-3200-04/98
IC2000		IC-NOT AT EXCHANGE
IC201	1277057	IC-CH NSC LM2904 M
IC501	1316397	IC SGT TDA7454
IC502	1226312	IC-CH ROH BA4558F-DX G
IC503	1226312	IC-CH ROH BA4558F-DX G
IC601	1322680	IC-CH SIE TLE 4276 DV P-TO252-5-1
IC602	1319914	IC-CH SIE TLE4275D P-TO252-5-1
IC603	1298674	IC-CH NSC LM2672M-ADJ
IC604	1297546	IC-CH NSC LM 3940 ISX-3.3
IC701	1246607	IC-CH SOY CXA2510Q
IC702	1312065	IC-CH PHI 74HC03-TSSOP14 G

IC870	1279432	IC-CH PHI TJA 1053 G
IC881	1240481	IC-CH SIE BSP452 G
IC900	1330845	IC-CH SIE SAF C161C1-32FF STEP BB
IC901	1294334	IC-CH SAY LC35256FT-70UHS-TLM
KF302	1237713	KERA-FILTER MUR CFWLA 450 KJFA-B0
KR201	1357972	K-FILT MUR SFELA 10,7MHZ HJAH28-A0
KR202	1357972	K-FILT MUR SFELA 10,7MHZ HJAH28-A0
LD1801	1375830	LED-CH VSY TLMY3143 QB (8 - 12.5)
LD1802	1375830	LED-CH VSY TLMY3143 QB (8 - 12.5)
LD1803	1375873	LED-CH VSY TLME3143 UB (50 - 80)
LD1804	1375873	LED-CH VSY TLME3143 UB (50 - 80)
LD1805	1375873	LED-CH VSY TLME3143 UB (50 - 80)
LD1806	1375873	LED-CH VSY TLME3143 UB (50 - 80)
LD1807	1375873	LED-CH VSY TLME3143 UB (50 - 80)
LD1808	1375873	LED-CH VSY TLME3143 UB (50 - 80)
LD1809	1375873	LED-CH VSY TLME3143 UB (50 - 80)
LD1810	1375873	LED-CH VSY TLME3143 UB (50 - 80)
LD1811	1375873	LED-CH VSY TLME3143 UB (50 - 80)
LD1812	1375873	LED-CH VSY TLME3143 UB (50 - 80)
LD1813	1375873	LED-CH VSY TLME3143 UB (50 - 80)
LD1814	1375873	LED-CH VSY TLME3143 UB (50 - 80)
LD1815	1375873	LED-CH VSY TLME3143 UB (50 - 80)
LD1816	1375873	LED-CH VSY TLME3143 UB (50 - 80)
LD1817	1375873	LED-CH VSY TLME3143 UB (50 - 80)
LD1818	1375873	LED-CH VSY TLME3143 UB (50 - 80)
LD1819	1375873	LED-CH VSY TLME3143 UB (50 - 80)
LD1820	1375873	LED-CH VSY TLME3143 UB (50 - 80)
LD1831	1375830	LED-CH VSY TLMY3143 QB (8 - 12.5)
LD1832	1375830	LED-CH VSY TLMY3143 QB (8 - 12.5)
LD1833	1375830	LED-CH VSY TLMY3143 QB (8 - 12.5)
LD1834	1375830	LED-CH VSY TLMY3143 QB (8 - 12.5)
LD1835	1375830	LED-CH VSY TLMY3143 QB (8 - 12.5)
LD1836	1375830	LED-CH VSY TLMY3143 QB (8 - 12.5)
LD1837	1375830	LED-CH VSY TLMY3143 QB (8 - 12.5)
LD1838	1375830	LED-CH VSY TLMY3143 QB (8 - 12.5)
LD1839	1375830	LED-CH VSY TLMY3143 QB (8 - 12.5)
LD1840	1375830	LED-CH VSY TLMY3143 QB (8 - 12.5)
LD1841	1375830	LED-CH VSY TLMY3143 QB (8 - 12.5)
LD1842	1375830	LED-CH VSY TLMY3143 QB (8 - 12.5)
LD1843	1375830	LED-CH VSY TLMY3143 QB (8 - 12.5)
LD1844	1375830	LED-CH VSY TLMY3143 QB (8 - 12.5)
LD1845	1375830	LED-CH VSY TLMY3143 QB (8 - 12.5)
LD1846	1375830	LED-CH VSY TLMY3143 QB (8 - 12.5)
LD1847	1375830	LED-CH VSY TLMY3143 QB (8 - 12.5)
LD1848	1375830	LED-CH VSY TLMY3143 QB (8 - 12.5)
LD1861	1158767	LED-CH SIE LST670 G -RT
OT2100	1248121	TRANSCEIVER AMP 966893 D2BOPTICAL-HEADER
P701	1246615	TRIRES-CH 10K 0,10W MUR PVZ3A103A01R00
P702	1246615	TRIRES-CH 10K 0,10W MUR PVZ3A103A01R00
Q151	1280279	QUARTZ 10,250 MHZ G NDK AT-51 M.ISOPL.
Q1801	1171501	KERA-RESON-CH MUR CSAC 4,19 MGCA G
Q2000	1305492	QUARTZ-CH 16,9344 MHZ NDK AT-41CD2

Q900	1307576	QUARTZ 16,00MHZ TQG KFZ0012
Q902	1332937	QUARTZ-CH 32,768KHZ SEP MC-306-EX
QF301	1323768	QUARTZ-FILTER 10,7MHZ NDK 10U7,5A
R1003	1227661	RES-CH 0R 0603 BAW SPE0025A323
R101	1254332	RES-CH 47K F 0603 G BAW SPE0028A323
R1010	1297041	RES-CH 10K F 0603 G BAW SPE0028A323
R1011	1297041	RES-CH 10K F 0603 G BAW SPE0028A323
R1012	1297041	RES-CH 10K F 0603 G BAW SPE0028A323
R1013	1297041	RES-CH 10K F 0603 G BAW SPE0028A323
R1014	1297041	RES-CH 10K F 0603 G BAW SPE0028A323
R1017	1297058	RES-CH 22K F 0603 G BAW SPE0028A323
R1018	1297058	RES-CH 22K F 0603 G BAW SPE0028A323
R1019	1297058	RES-CH 22K F 0603 G BAW SPE0028A323
R102	1304445	RES-CH 1K F 0603 BAW SPE0028A323
R1020	1297058	RES-CH 22K F 0603 G BAW SPE0028A323
R1023	1297041	RES-CH 10K F 0603 G BAW SPE0028A323
R1024	1297041	RES-CH 10K F 0603 G BAW SPE0028A323
R1025	1291181	RES-CH 5K6 F 0603 G BAW SPE0028A323
R1026	1254332	RES-CH 47K F 0603 G BAW SPE0028A323
R103	1304161	RES-CH 10R F 0603 BAW SPE0027A323
R104	1304429	RES-CH 680R F 0603 BAW SPE0027A323
R105	1304161	RES-CH 10R F 0603 BAW SPE0027A323
R1050	1304348	RES-CH 220R F 0603 BAW SPE0027A323
R1051	1332521	RES-CH 6M8 F 0805 G BAW SPE0019A323
R106	1271199	RES-CH 56K F 0603 G BAW SPE0028A323
R107	1291181	RES-CH 5K6 F 0603 G BAW SPE0028A323
R112	1254332	RES-CH 47K F 0603 G BAW SPE0028A323
R121	1227661	RES-CH 0R 0603 BAW SPE0025A323
R122	1305131	RES-CH 68K F 0603 BAW SPE0028A323
R123	1304161	RES-CH 10R F 0603 BAW SPE0027A323
R124	1305131	RES-CH 68K F 0603 BAW SPE0028A323
R131	1291181	RES-CH 5K6 F 0603 G BAW SPE0028A323
R132	1297041	RES-CH 10K F 0603 G BAW SPE0028A323
R151	1253700	RES-CH 8K2 F 0603 G BAW SPE0028A323
R152	1304161	RES-CH 10R F 0603 BAW SPE0027A323
R159	1304445	RES-CH 1K F 0603 BAW SPE0028A323
R160	1304445	RES-CH 1K F 0603 BAW SPE0028A323
R161	1304445	RES-CH 1K F 0603 BAW SPE0028A323
R162	1304445	RES-CH 1K F 0603 BAW SPE0028A323
R1801	1226649	RES-CH 680R F 1206 BAW SPE0015A323
R1802	1303521	RES-CH 750R F 1206 BAW SPE0015A323
R1803	1303521	RES-CH 750R F 1206 BAW SPE0015A323
R1804	1303521	RES-CH 750R F 1206 BAW SPE0015A323
R1805	1303521	RES-CH 750R F 1206 BAW SPE0015A323
R1806	1303521	RES-CH 750R F 1206 BAW SPE0015A323
R1807	1303521	RES-CH 750R F 1206 BAW SPE0015A323
R1809	1303538	RES-CH 820R F 1206 G BAW SPE0015A323
R1810	1226649	RES-CH 680R F 1206 BAW SPE0015A323
R1811	1226649	RES-CH 680R F 1206 BAW SPE0015A323
R1812	1303538	RES-CH 820R F 1206 G BAW SPE0015A323
R1813	1226649	RES-CH 680R F 1206 BAW SPE0015A323
R1814	1303491	RES-CH 470R F 1206 G BAW SPE0015A323

R1815	1281811	RES-CH 1K8 F 0603 G BAW SPE0028A323
R1816	1304496	RES-CH 3K9 F 0603 G BAW SPE0028A323
R1817	1304496	RES-CH 3K9 F 0603 G BAW SPE0028A323
R1818	1281811	RES-CH 1K8 F 0603 G BAW SPE0028A323
R1820	1304429	RES-CH 680R F 0603 BAW SPE0027A323
R1829	1304437	RES-CH 820R F 0603 BAW SPE0027A323
R1831	1304445	RES-CH 1K F 0603 BAW SPE0028A323
R1832	1297058	RES-CH 22K F 0603 G BAW SPE0028A323
R1833	1297058	RES-CH 22K F 0603 G BAW SPE0028A323
R1836	1305158	RES-CH 100K F 0603 BAW SPE0028A323
R1837	1305093	RES-CH 1M F 0603 BAW SPE0028A323
R1841	1304283	RES-CH 100R F 0603 BAW SPE0027A323
R1842	1254332	RES-CH 47K F 0603 G BAW SPE0028A323
R1843	1305158	RES-CH 100K F 0603 BAW SPE0028A323
R1844	1305158	RES-CH 100K F 0603 BAW SPE0028A323
R1846	1305158	RES-CH 100K F 0603 BAW SPE0028A323
R1847	1305158	RES-CH 100K F 0603 BAW SPE0028A323
R1848	1297058	RES-CH 22K F 0603 G BAW SPE0028A323
R1849	1304445	RES-CH 1K F 0603 BAW SPE0028A323
R1851	1304331	RES-CH 180R F 0603 BAW SPE0027A323
R1852	1304321	RES-CH 150R F 0603 BAW SPE0027A323
R1854	1304402	RES-CH 470R F 0603 BAW SPE0027A323
R1861	1313185	RES-CH 51K F 0603 G BAW SPE 0028 A 323
R1862	1018302	RES-CH 0R 0805 G BAW SPE0009A323
R1863	1314424	RES-CH 1K1 F 0603 BAW SPE0028A323
R1864	1235397	RES-CH 3K3 F 0603 G BAW SPE0028A323
R1865	1235397	RES-CH 3K3 F 0603 G BAW SPE0028A323
R1866	1235397	RES-CH 3K3 F 0603 G BAW SPE0028A323
R1867	1235397	RES-CH 3K3 F 0603 G BAW SPE0028A323
R1868	1307185	NTCRES-CH 10K J 0,50W G SIE C621-Q63
R1869	1304461	RES-CH 1K5 F 0603 G BAW SPE0028A323
R1870	1305158	RES-CH 100K F 0603 BAW SPE0028A323
R1871	1305158	RES-CH 100K F 0603 BAW SPE0028A323
R1872	1227661	RES-CH 0R 0603 BAW SPE0025A323
R2000	1304364	RES-CH 270R F 0603 BAW SPE0027A323
R2001	1304364	RES-CH 270R F 0603 BAW SPE0027A323
R2003	1304364	RES-CH 270R F 0603 BAW SPE0027A323
R2004	1304364	RES-CH 270R F 0603 BAW SPE0027A323
R2005	1304364	RES-CH 270R F 0603 BAW SPE0027A323
R2007	1297041	RES-CH 10K F 0603 G BAW SPE0028A323
R2008	1304364	RES-CH 270R F 0603 BAW SPE0027A323
R2009	1304364	RES-CH 270R F 0603 BAW SPE0027A323
R201	1304331	RES-CH 180R F 0603 BAW SPE0027A323
R2011	1304364	RES-CH 270R F 0603 BAW SPE0027A323
R2015	1304364	RES-CH 270R F 0603 BAW SPE0027A323
R2016	1304364	RES-CH 270R F 0603 BAW SPE0027A323
R2017	1304364	RES-CH 270R F 0603 BAW SPE0027A323
R202	1304356	RES-CH 240R F 0603 G BAW SPE0027A323
R2020	1253700	RES-CH 8K2 F 0603 G BAW SPE0028A323
R2021	1305001	RES-CH 33K F 0603 BAW SPE0028A323
R2022	1304496	RES-CH 3K9 F 0603 G BAW SPE0028A323
R2023	1288393	RES-CH 5K1 F 0603 G BAW SPE0028A323

R2024	1304496	RES-CH 3K9 F 0603 G BAW SPE0028A323
R2025	1288393	RES-CH 5K1 F 0603 G BAW SPE0028A323
R2036	1304471	RES-CH 2K F 0603 G BAW SPE0028A323
R2037	1304445	RES-CH 1K F 0603 BAW SPE0028A323
R2038	1304445	RES-CH 1K F 0603 BAW SPE0028A323
R2039	1297041	RES-CH 10K F 0603 G BAW SPE0028A323
R204	1250531	RES-CH 200K F 0603 G BAW SPE0028A323
R2046	1254421	RES-CH 12K F 0603 G BAW SPE0028A323
R2048	1297058	RES-CH 22K F 0603 G BAW SPE0028A323
R2051	1305018	RES-CH 150K F 0603 BAW SPE0028A323
R2053	1282662	RES-CH 180K F 0603 G BAW SPE0028A323
R2057	1305018	RES-CH 150K F 0603 BAW SPE0028A323
R2059	1282662	RES-CH 180K F 0603 G BAW SPE0028A323
R206	1227661	RES-CH 0R 0603 BAW SPE0025A323
R2063	1227661	RES-CH 0R 0603 BAW SPE0025A323
R2068	1297041	RES-CH 10K F 0603 G BAW SPE0028A323
R207	1305093	RES-CH 1M F 0603 BAW SPE0028A323
R209	1305093	RES-CH 1M F 0603 BAW SPE0028A323
R2096	1288393	RES-CH 5K1 F 0603 G BAW SPE0028A323
R2099	1297041	RES-CH 10K F 0603 G BAW SPE0028A323
R210	1304161	RES-CH 10R F 0603 BAW SPE0027A323
R2101	1297041	RES-CH 10K F 0603 G BAW SPE0028A323
R211	1258478	RES-CH 15K F 0603 BAW SPE0028A323
R212	1254448	RES-CH 27K F 0603 G BAW SPE0028A323
R214	1304445	RES-CH 1K F 0603 BAW SPE0028A323
R215	1304496	RES-CH 3K9 F 0603 G BAW SPE0028A323
R301	1305050	RES-CH 470K F 0603 BAW SPE0028A323
R302	1304232	RES-CH 47R F 0603 G BAW SPE0027A323
R303	1018302	RES-CH 0R 0805 G BAW SPE0009A323
R306	1254022	RES-CH 2K2 F 0603 G BAW SPE0028A323
R307	1304161	RES-CH 10R F 0603 BAW SPE0027A323
R309	1302728	RES-CH 6K2 F 0603 G BAW SPE0028A323
R311	1304161	RES-CH 10R F 0603 BAW SPE0027A323
R312	1304283	RES-CH 100R F 0603 BAW SPE0027A323
R314	1304461	RES-CH 1K5 F 0603 G BAW SPE0028A323
R315	1254022	RES-CH 2K2 F 0603 G BAW SPE0028A323
R316	1304259	RES-CH 68R F 0603 BAW SPE0027A323
R317	1307045	RES-CH 910R F 0603 G BAW SPE0027A323
R318	1304471	RES-CH 2K F 0603 G BAW SPE0028A323
R319	1281811	RES-CH 1K8 F 0603 G BAW SPE0028A323
R320	1304488	RES-CH 2K7 F 0603 BAW SPE0028A323
R321	1281811	RES-CH 1K8 F 0603 G BAW SPE0028A323
R322	1304461	RES-CH 1K5 F 0603 G BAW SPE0028A323
R327	1227661	RES-CH 0R 0603 BAW SPE0025A323
R328	1304399	RES-CH 390R F 0603 BAW SPE0027A323
R329	1254022	RES-CH 2K2 F 0603 G BAW SPE0028A323
R368	1227661	RES-CH 0R 0603 BAW SPE0025A323
R369	1304445	RES-CH 1K F 0603 BAW SPE0028A323
R370	1304445	RES-CH 1K F 0603 BAW SPE0028A323
R371	1304445	RES-CH 1K F 0603 BAW SPE0028A323
R372	1304445	RES-CH 1K F 0603 BAW SPE0028A323
R373	1304445	RES-CH 1K F 0603 BAW SPE0028A323

R50	1303112	RES-CH 15R F 1206 G BAW SPE0015A323
R501	1297041	RES-CH 10K F 0603 G BAW SPE0028A323
R502	1297041	RES-CH 10K F 0603 G BAW SPE0028A323
R503	1297041	RES-CH 10K F 0603 G BAW SPE0028A323
R504	1297041	RES-CH 10K F 0603 G BAW SPE0028A323
R505	1297041	RES-CH 10K F 0603 G BAW SPE0028A323
R506	1227661	RES-CH 0R 0603 BAW SPE0025A323
R507	1254022	RES-CH 2K2 F 0603 G BAW SPE0028A323
R508	1254022	RES-CH 2K2 F 0603 G BAW SPE0028A323
R509	1254022	RES-CH 2K2 F 0603 G BAW SPE0028A323
R51	1303112	RES-CH 15R F 1206 G BAW SPE0015A323
R510	1254022	RES-CH 2K2 F 0603 G BAW SPE0028A323
R511	1297041	RES-CH 10K F 0603 G BAW SPE0028A323
R512	1297058	RES-CH 22K F 0603 G BAW SPE0028A323
R513	1297041	RES-CH 10K F 0603 G BAW SPE0028A323
R514	1297058	RES-CH 22K F 0603 G BAW SPE0028A323
R515	1297041	RES-CH 10K F 0603 G BAW SPE0028A323
R516	1297058	RES-CH 22K F 0603 G BAW SPE0028A323
R517	1297041	RES-CH 10K F 0603 G BAW SPE0028A323
R518	1297058	RES-CH 22K F 0603 G BAW SPE0028A323
R519	1254022	RES-CH 2K2 F 0603 G BAW SPE0028A323
R52	1303112	RES-CH 15R F 1206 G BAW SPE0015A323
R520	1254022	RES-CH 2K2 F 0603 G BAW SPE0028A323
R521	1297058	RES-CH 22K F 0603 G BAW SPE0028A323
R522	1297058	RES-CH 22K F 0603 G BAW SPE0028A323
R523	1297058	RES-CH 22K F 0603 G BAW SPE0028A323
R524	1297058	RES-CH 22K F 0603 G BAW SPE0028A323
R525	1297058	RES-CH 22K F 0603 G BAW SPE0028A323
R526	1297041	RES-CH 10K F 0603 G BAW SPE0028A323
R527	1297058	RES-CH 22K F 0603 G BAW SPE0028A323
R528	1297041	RES-CH 10K F 0603 G BAW SPE0028A323
R529	1297058	RES-CH 22K F 0603 G BAW SPE0028A323
R530	1297041	RES-CH 10K F 0603 G BAW SPE0028A323
R531	1297058	RES-CH 22K F 0603 G BAW SPE0028A323
R532	1297041	RES-CH 10K F 0603 G BAW SPE0028A323
R533	1297058	RES-CH 22K F 0603 G BAW SPE0028A323
R534	1297058	RES-CH 22K F 0603 G BAW SPE0028A323
R535	1297058	RES-CH 22K F 0603 G BAW SPE0028A323
R536	1297058	RES-CH 22K F 0603 G BAW SPE0028A323
R601	1159496	RES-CH 22K F 0805 G BAW SPE0018A323
R602	1285564	RES-CH 4K7 F 0603 G BAW SPE0028A323
R603	1297041	RES-CH 10K F 0603 G BAW SPE0028A323
R604	1297041	RES-CH 10K F 0603 G BAW SPE0028A323
R605	1297041	RES-CH 10K F 0603 G BAW SPE0028A323
R606	1297041	RES-CH 10K F 0603 G BAW SPE0028A323
R607	1294210	RES-CH 30K F 0603 G BAW SPE0028A323
R608	1254421	RES-CH 12K F 0603 G BAW SPE0028A323
R609	1297041	RES-CH 10K F 0603 G BAW SPE0028A323
R612	1304445	RES-CH 1K F 0603 BAW SPE0028A323
R613	1297058	RES-CH 22K F 0603 G BAW SPE0028A323
R614	1304445	RES-CH 1K F 0603 BAW SPE0028A323
R615	1304402	RES-CH 470R F 0603 BAW SPE0027A323

R616	1304445	RES-CH 1K F 0603 BAW SPE0028A323
R617	1304402	RES-CH 470R F 0603 BAW SPE0027A323
R619	1297041	RES-CH 10K F 0603 G BAW SPE0028A323
R620	1227661	RES-CH 0R 0603 BAW SPE0025A323
R623	1227661	RES-CH 0R 0603 BAW SPE0025A323
R701	1304526	RES-CH 11K F 0603 G TK100 BAW SPE0028A
R702	1304518	RES-CH 16K F 0603 G BAW SPE0028A323
R703	1282662	RES-CH 180K F 0603 G BAW SPE0028A323
R704	1304283	RES-CH 100R F 0603 BAW SPE0027A323
R711	1304526	RES-CH 11K F 0603 G TK100 BAW SPE0028A
R712	1304518	RES-CH 16K F 0603 G BAW SPE0028A323
R713	1282662	RES-CH 180K F 0603 G BAW SPE0028A323
R714	1304283	RES-CH 100R F 0603 BAW SPE0027A323
R720	1248197	RES-CH 18K F 0603 G BAW SPE0028A323
R721	1304496	RES-CH 3K9 F 0603 G BAW SPE0028A323
R722	1305131	RES-CH 68K F 0603 BAW SPE0028A323
R723	1305050	RES-CH 470K F 0603 BAW SPE0028A323
R725	1305001	RES-CH 33K F 0603 BAW SPE0028A323
R726	1305001	RES-CH 33K F 0603 BAW SPE0028A323
R727	1254332	RES-CH 47K F 0603 G BAW SPE0028A323
R728	1304161	RES-CH 10R F 0603 BAW SPE0027A323
R729	1297058	RES-CH 22K F 0603 G BAW SPE0028A323
R730	1297058	RES-CH 22K F 0603 G BAW SPE0028A323
R735	1254332	RES-CH 47K F 0603 G BAW SPE0028A323
R738	1254332	RES-CH 47K F 0603 G BAW SPE0028A323
R739	1297058	RES-CH 22K F 0603 G BAW SPE0028A323
R740	1254332	RES-CH 47K F 0603 G BAW SPE0028A323
R741	1254332	RES-CH 47K F 0603 G BAW SPE0028A323
R742	1254332	RES-CH 47K F 0603 G BAW SPE0028A323
R743	1297058	RES-CH 22K F 0603 G BAW SPE0028A323
R744	1297058	RES-CH 22K F 0603 G BAW SPE0028A323
R745	1227661	RES-CH 0R 0603 BAW SPE0025A323
R746	1227661	RES-CH 0R 0603 BAW SPE0025A323
R747	1227661	RES-CH 0R 0603 BAW SPE0025A323
R806	1297041	RES-CH 10K F 0603 G BAW SPE0028A323
R807	1226657	RES-CH 1K F 1206 BAW SPE0016A323
R808	1304445	RES-CH 1K F 0603 BAW SPE0028A323
R809	1297041	RES-CH 10K F 0603 G BAW SPE0028A323
R810	1226657	RES-CH 1K F 1206 BAW SPE0016A323
R811	1304445	RES-CH 1K F 0603 BAW SPE0028A323
R814	1227661	RES-CH 0R 0603 BAW SPE0025A323
R820	1283367	RES-CH 10R F 1206 G TK100 BAW0015A323
R821	1283367	RES-CH 10R F 1206 G TK100 BAW0015A323
R822	1283367	RES-CH 10R F 1206 G TK100 BAW0015A323
R824	1226657	RES-CH 1K F 1206 BAW SPE0016A323
R825	1303538	RES-CH 820R F 1206 G BAW SPE0015A323
R826	1304445	RES-CH 1K F 0603 BAW SPE0028A323
R840	1254332	RES-CH 47K F 0603 G BAW SPE0028A323
R841	1254332	RES-CH 47K F 0603 G BAW SPE0028A323
R842	1305050	RES-CH 470K F 0603 BAW SPE0028A323
R843	1271199	RES-CH 56K F 0603 G BAW SPE0028A323
R844	1226592	RES-CH 100R F 1206 BAW SPE0015A323

R850	1258478	RES-CH 15K F 0603 BAW SPE0028A323
R851	1304445	RES-CH 1K F 0603 BAW SPE0028A323
R852	1254022	RES-CH 2K2 F 0603 G BAW SPE0028A323
R853	1304429	RES-CH 680R F 0603 BAW SPE0027A323
R854	1283367	RES-CH 10R F 1206 G TK100 BAW0015A323
R855	1297041	RES-CH 10K F 0603 G BAW SPE0028A323
R856	1297058	RES-CH 22K F 0603 G BAW SPE0028A323
R870	1254332	RES-CH 47K F 0603 G BAW SPE0028A323
R872	1316648	RES-CH 3K32 F 0603 G BAW SPE0028A323
R873	1316648	RES-CH 3K32 F 0603 G BAW SPE0028A323
R881	1297041	RES-CH 10K F 0603 G BAW SPE0028A323
R882	1297041	RES-CH 10K F 0603 G BAW SPE0028A323
R883	1297041	RES-CH 10K F 0603 G BAW SPE0028A323
R885	1297041	RES-CH 10K F 0603 G BAW SPE0028A323
R886	1297058	RES-CH 22K F 0603 G BAW SPE0028A323
R887	1297058	RES-CH 22K F 0603 G BAW SPE0028A323
R888	1297041	RES-CH 10K F 0603 G BAW SPE0028A323
R897	1297058	RES-CH 22K F 0603 G BAW SPE0028A323
R898	1282700	RES-CH 120K F 0603 G BAW SPE 0028A323
R909	1304283	RES-CH 100R F 0603 BAW SPE0027A323
R912	1304445	RES-CH 1K F 0603 BAW SPE0028A323
R913	1304445	RES-CH 1K F 0603 BAW SPE0028A323
R915	1304445	RES-CH 1K F 0603 BAW SPE0028A323
R940	1304364	RES-CH 270R F 0603 BAW SPE0027A323
R941	1304445	RES-CH 1K F 0603 BAW SPE0028A323
R942	1304364	RES-CH 270R F 0603 BAW SPE0027A323
R943	1304364	RES-CH 270R F 0603 BAW SPE0027A323
R960	1304445	RES-CH 1K F 0603 BAW SPE0028A323
R961	1304445	RES-CH 1K F 0603 BAW SPE0028A323
R962	1304445	RES-CH 1K F 0603 BAW SPE0028A323
R963	1304364	RES-CH 270R F 0603 BAW SPE0027A323
R974	1254332	RES-CH 47K F 0603 G BAW SPE0028A323
R986	1227661	RES-CH 0R 0603 BAW SPE0025A323
RN901	1298720	RES-NETZ 4X1K J ROH MNR14 E0ABJ102
RN907	1298720	RES-NETZ 4X1K J ROH MNR14 E0ABJ102
RN920	1298720	RES-NETZ 4X1K J ROH MNR14 E0ABJ102
RN925	1298720	RES-NETZ 4X1K J ROH MNR14 E0ABJ102
RN930	1298720	RES-NETZ 4X1K J ROH MNR14 E0ABJ102
RN931	1298720	RES-NETZ 4X1K J ROH MNR14 E0ABJ102
RN935	1298720	RES-NETZ 4X1K J ROH MNR14 E0ABJ102
RN945	1298720	RES-NETZ 4X1K J ROH MNR14 E0ABJ102
RN950	1298720	RES-NETZ 4X1K J ROH MNR14 E0ABJ102
RN955	1298720	RES-NETZ 4X1K J ROH MNR14 E0ABJ102
RN957	1298720	RES-NETZ 4X1K J ROH MNR14 E0ABJ102
RN960	1310178	RES-NETZ 4X270R J ROH MNR14 E0ABJ271
RN970	1298720	RES-NETZ 4X1K J ROH MNR14 E0ABJ102
RN990	1298720	RES-NETZ 4X1K J ROH MNR14 E0ABJ102
S1831	1343807	ENCODER MAT EVQ BST 300 15B
SP101	1031112	ARRESTER MMC DSP-201M-A21R
ST701	1158041	PIN LEDGE 19POL D&R 3 302 02 01 1490
ST802	1252641	SPRING-PLUG IN CONNECTION AMP 969600-1
ST900	1306162	PIN LEDGE 8POL SAT TSW-104-06-T-D

T101	1258680	TRANSISTOR-CH TEL S949TR G
T102	1361848	TRANSISTOR-CH BAW BC857C G SPE0064A302
T1801	0659614	TRANSISTOR-CH BAW BC848B G SPE0003A
T1802	0675318	TRANSISTOR-CH BAW BC818-16 SHIP-TO-STOCK
T1803	1172646	TRANSISTOR-CH BAW KRC103S/DTC124 NP
T1804	0659614	TRANSISTOR-CH BAW BC848B G SPE0003A
T1805	1172662	TRANSISTOR-CH BAW KRC105S/BCR108/DT
T1806	1182821	TRANSISTOR-CH BAW KRC102S/DTC114 NP
T301	1180576	TRANSISTOR BAW J109/110 SELEKT.G SP
T302	0659622	TRANSISTOR-CH BAW BC848C G SPE0004A302
T303	1303317	TRANSISTOR-CH SAY 2SC2814 F4+F5 NPN G
T304	1361848	TRANSISTOR-CH BAW BC857C G SPE0064A302
T601	0672521	TRANSISTOR-CH BAW BC856B G SPE0013A
T602	1258079	TRANSISTOR-CH BAW BC846B G SPE0035A302
T702	1253611	TRANSISTOR-CH BAW BCR158/DTA123JC SPE006
T802	1172654	TRANSISTOR-CH BAW KRA103S/DTA124 PN
T803	1182821	TRANSISTOR-CH BAW KRC102S/DTC114 NP
T804	1248499	TRANSISTOR-CH BAW BCX52-16 G SPE0060A302
T805	1172654	TRANSISTOR-CH BAW KRA103S/DTA124 PN
T806	1182821	TRANSISTOR-CH BAW KRC102S/DTC114 NP
T807	1248499	TRANSISTOR-CH BAW BCX52-16 G SPE0060A302
T809	1248499	TRANSISTOR-CH BAW BCX52-16 G SPE0060A302
T810	1182821	TRANSISTOR-CH BAW KRC102S/DTC114 NP
T840	1172654	TRANSISTOR-CH BAW KRA103S/DTA124 PN
T841	1172646	TRANSISTOR-CH BAW KRC103S/DTC124 NP
T842	0659614	TRANSISTOR-CH BAW BC848B G SPE0003A
T843	1172646	TRANSISTOR-CH BAW KRC103S/DTC124 NP
T852	1172654	TRANSISTOR-CH BAW KRA103S/DTA124 PN
T853	1172646	TRANSISTOR-CH BAW KRC103S/DTC124 NP
T854	1028006	TRANSISTOR-CH BAW BC817-40 SHIP-TO-STOCK
T855	1172654	TRANSISTOR-CH BAW KRA103S/DTA124 PN
T870	1172646	TRANSISTOR-CH BAW KRC103S/DTC124 NP
T885	1361848	TRANSISTOR-CH BAW BC857C G SPE0064A302
T896	1258079	TRANSISTOR-CH BAW BC846B G SPE0035A302

