

# Service Manual

Version 1.0 - english

## Audio 30 USA 3309 (with CAN)



• *Circuit diagram*

• *Components schematics*

• *Test programme*

• *Anti-theft Device*

• *Technical Data*

• *Spare Parts List*



## RESET-release MB-MY98

**A** and **B** and **C** press simultaneously

Action: Sound source will be interrupted for app. 1 second and display set up again.

## Test programme MB-MY98

<b>1</b> and <b>2</b> press simultaneously	→	BRA BECKER	Becker-Test mode is activated
after			
<b>3</b> press once	→	SIG 10 89.5	f. e. 10 = Field strength f. e. 89.5 = Frequency (MHz)
<b>3</b> press 2 times	→	USA 200 10	200 = Grid FM 10 = Grid AM
<b>3</b> press 3 times	→	TYP BE 3309	
<b>3</b> press 4 times	→	SER Y1035052	
<b>3</b> press 5 times	→	SW 15/00	Display: actual software version
<b>3</b> press 6 times	→	END TESTMODE	after 5 seconds test programme will be quit automaticly

## Entering the code number

Using the buttons of the right-hand control panel enter each number of the digital code.



After entering the correct numerical code, confirm by pressing the button „OK“ .



**Technical Data**

Wave bands:	FM 87.9 MHz - 107.9 MHz AM 530 kHz - 1710 kHz WB CH1 - CH7
Station memory:	10 stations can be stored for each of the wave bands FM, AM and 7 stations for WB
Frequency range:	50 Hz - 16 kHz Cassette 30 Hz - 15 kHz FM 50 Hz - 2,5 kHz AM
Output power:	4 x 20 Watt
Line cross section:	min. 0,75 mm <sup>2</sup>
Speaker Impedance :	min. 4 Ohm
GAL:	fixed defined volume increase
Antenna:	Impedance 50 Ohm
Telephone mute:	Low active level < 2 Volt
Supply voltage:	12 Volt
Tape deck:	Autoreverse, electronical control (Full Logic Control) Titel search forward/rewind automatic skip-blank after app. 8-15 seconds
Telephone:	Telephone operation about Radio
Soundsystem:	Connection only via D2B optical interface
CD connection:	Only MB-CD changers with D2B optical interface can be connected.
Playable CD's:	Only CDs which conform to DIN EN 60908 may be used. The use of 8 cm CDs with adapter is not recommended.
CAN-Bus:	Steering control, combi display, speed puls, ignition, illumination

## Block diagram

Main Board 4010 ..... 2

## Connector

Connector block (Board 4040) ..... 3

Connector interface (Board 4010) ..... 4

## Power supply

UG9V; UD5V; UG5V (Board 4010) ..... 5

## Tuner

FM-Tuner (Board 4010) ..... 6

FM-Peripherie (Board 4010) ..... 7

AM / WB -Tuner (Board 4010) ..... 8

## AF-section

Audio controller and FM-Stereo decoder ..... 9

AF-amplifier (Board 4010) ..... 10

## Interface

d2b-optical (Board 4010) ..... 11

Wake up-Line, CAN-BUS, K-Line (Board 4010) .... 12

## Control

Processor (Board 4010) ..... 13

Shiftregister, EEPROM (Board 4010) ..... 14

CC-control, Dolby B (Board 4010) ..... 15

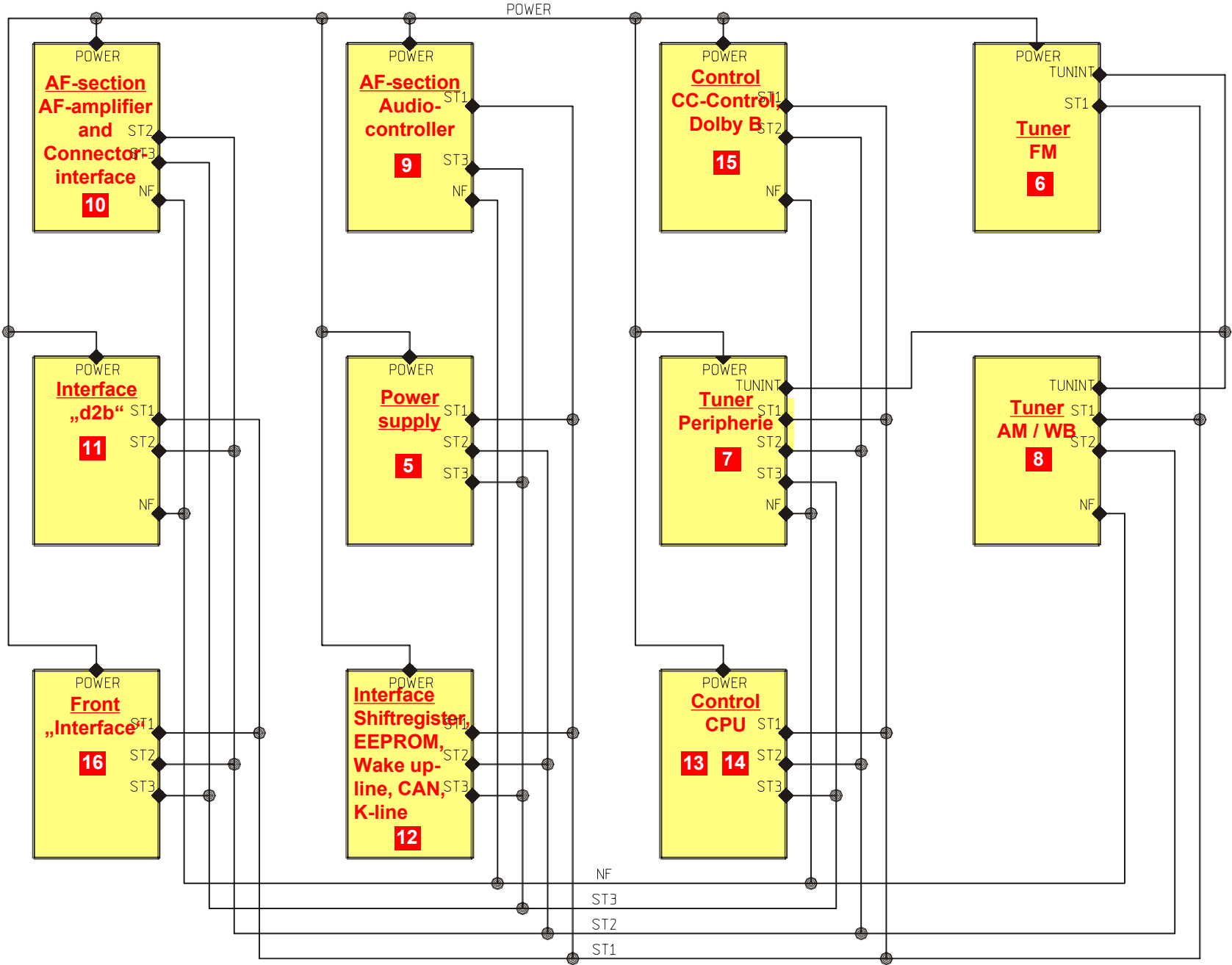
## Front

Front-Interface (Board 4010) ..... 16

Front-Processor, Keyboard right (Board 9090) ..... 17

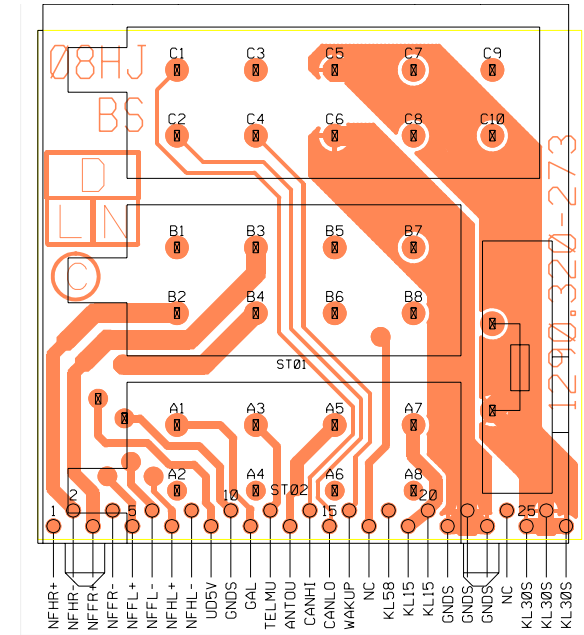
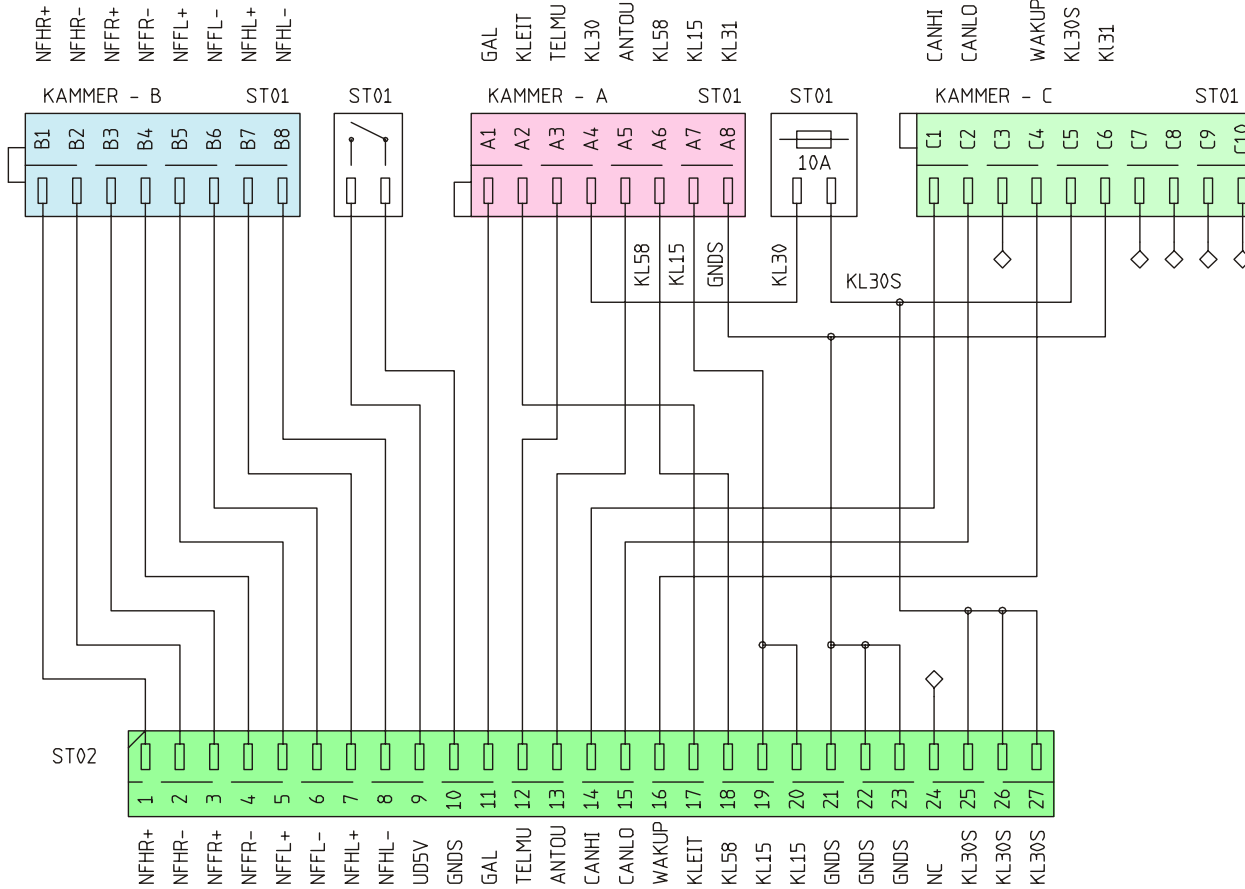
Keyboard left (Board 9060) ..... 18

Display (Board 9080) ..... 19

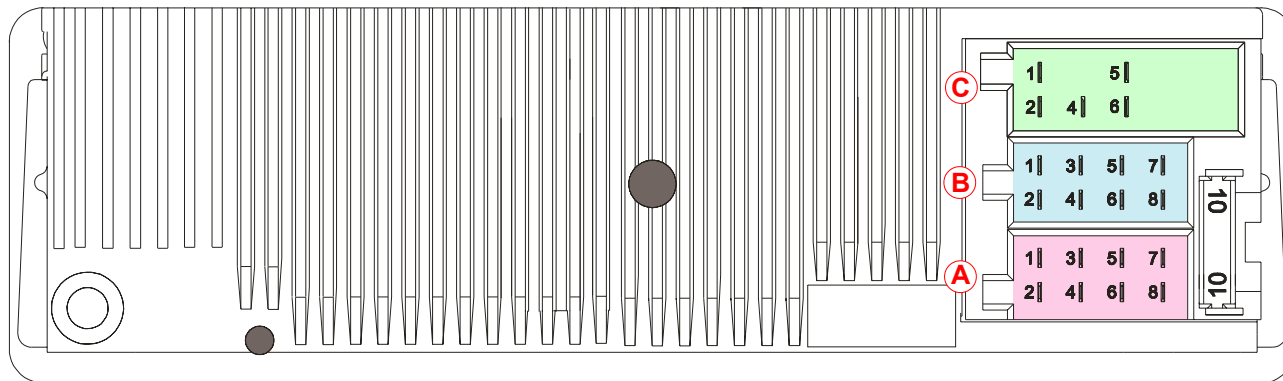


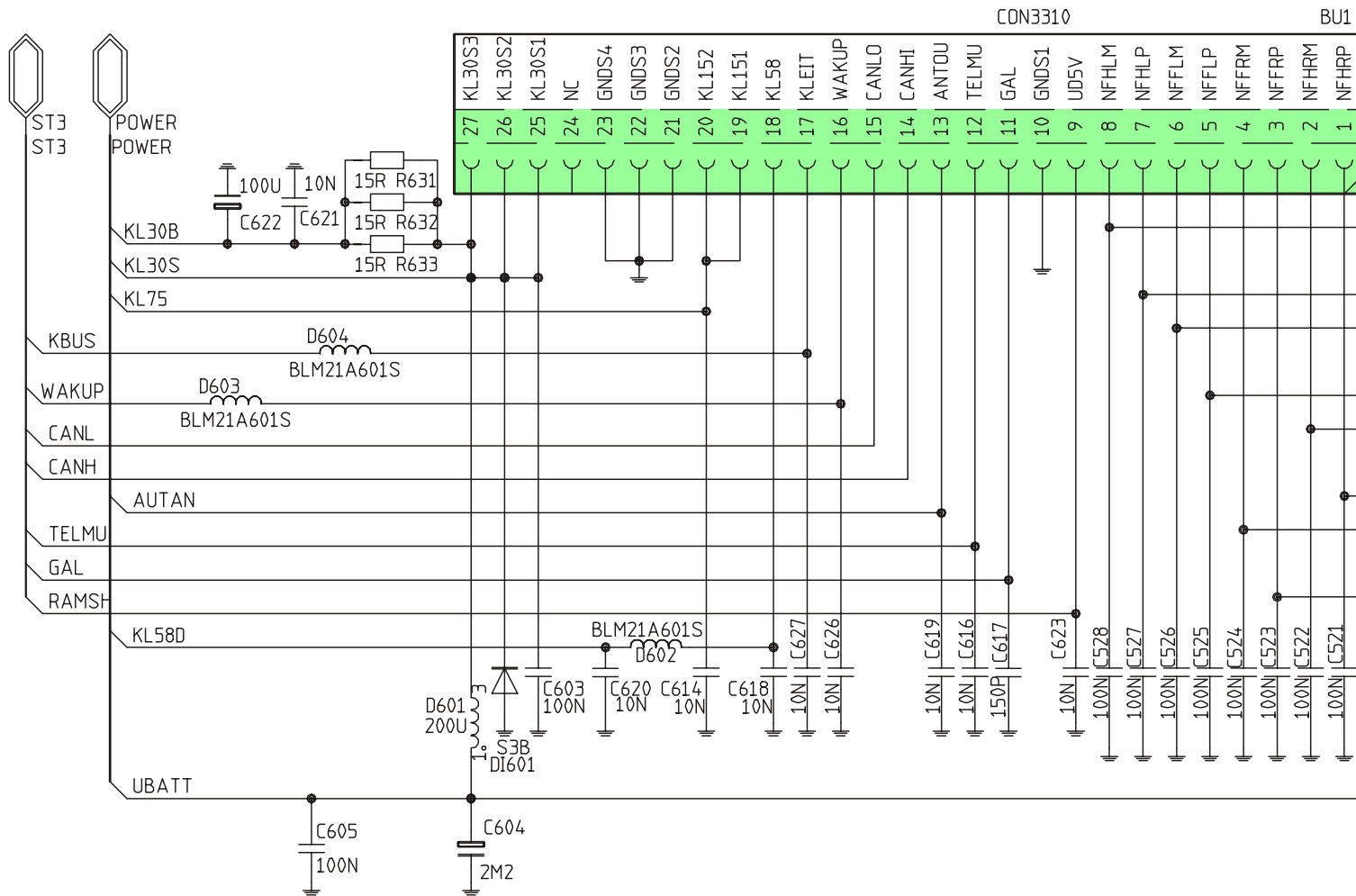
# Circuit diagram - Mercedes Benz MY98

CSD - Version: 37/00



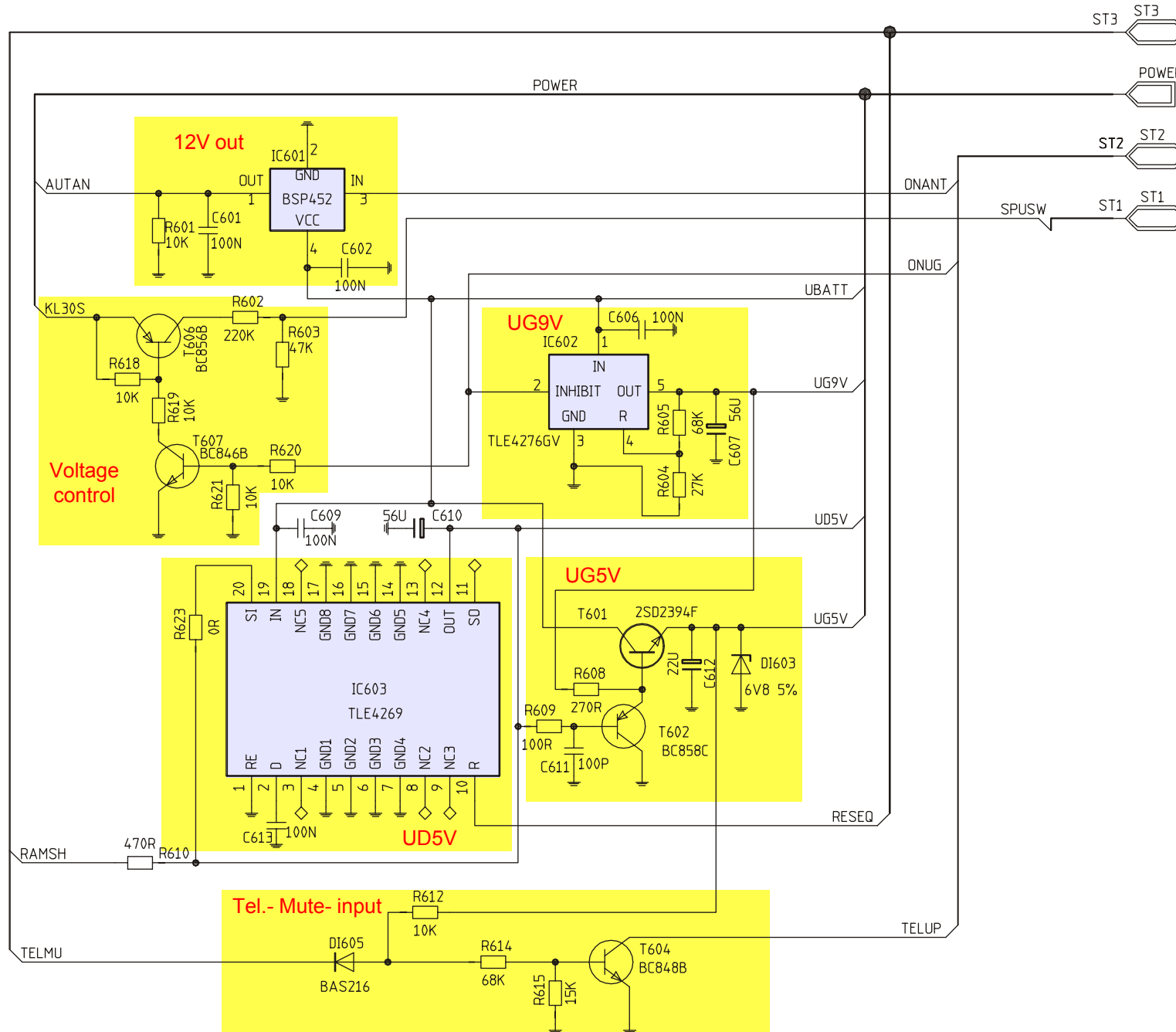
PIN	Chamber A	Chamber B	Chamber C
1	Speed dependent Vol. control	Loudspeaker rear right +	CAN-high
2	K-line	Loudspeaker rear right -	CAN-low
3	Telephone mute	Loudspeaker front right +	
4	Terminal 30, Battery	Loudspeaker front right -	Wake up line
5	Control output 12V	Loudspeaker front left +	Battery 12V Fuse
6	Battery 12V Fuse	Loudspeaker front left -	Terminal 31, Ground
7	Terminal 15, Ignition	Loudspeaker rear left +	
8	Terminal 31, Ground	Loudspeaker rear left -	

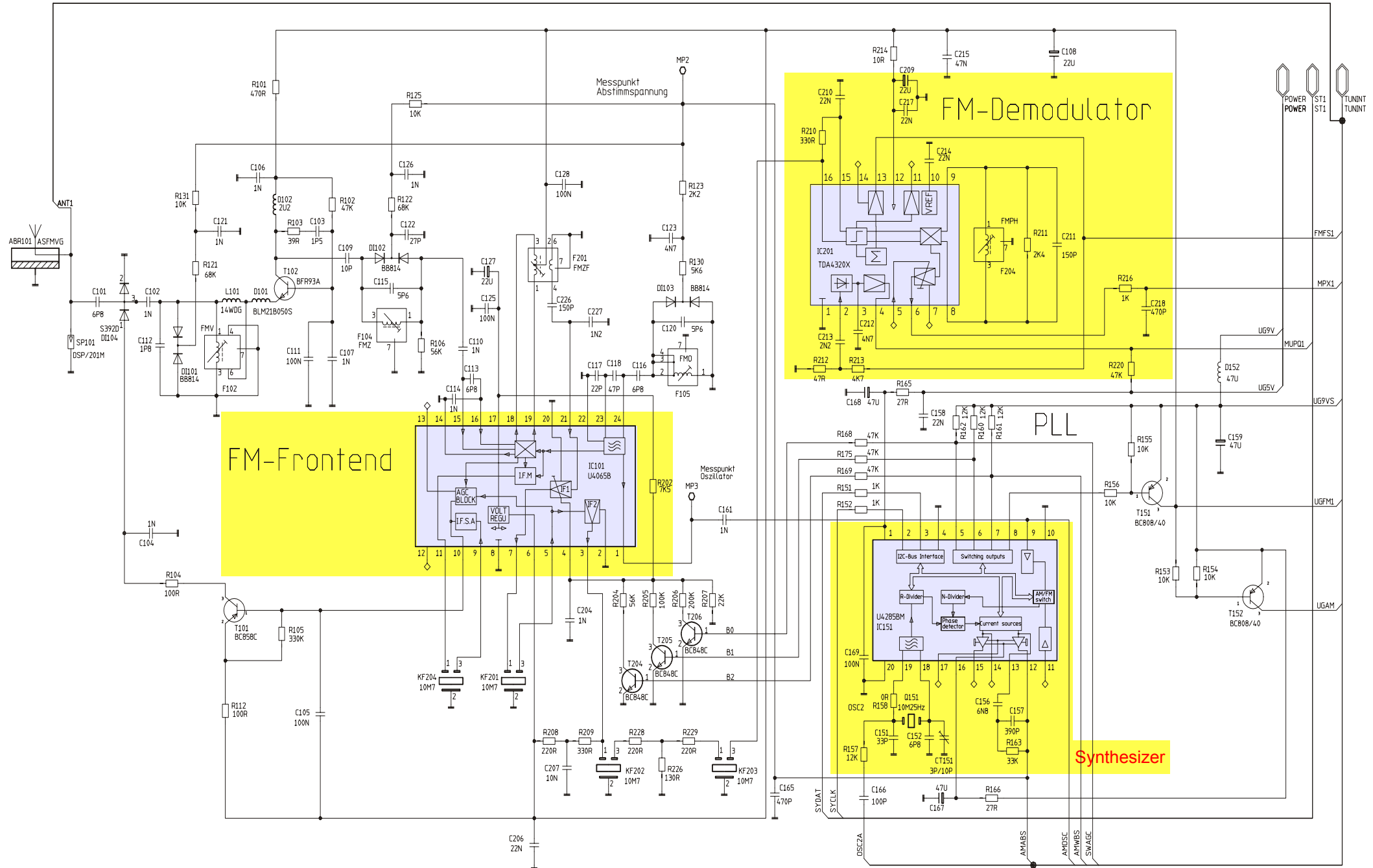


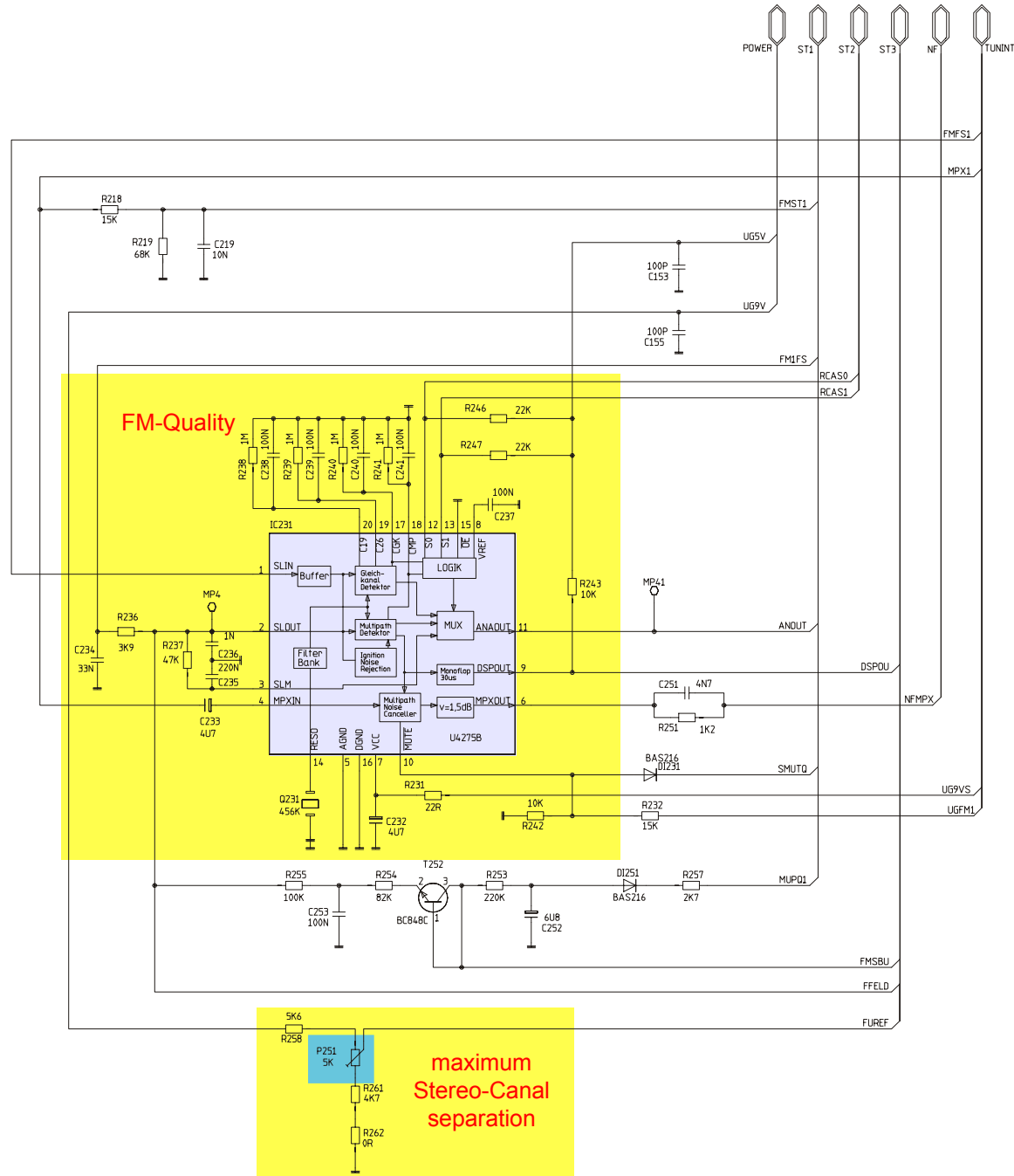


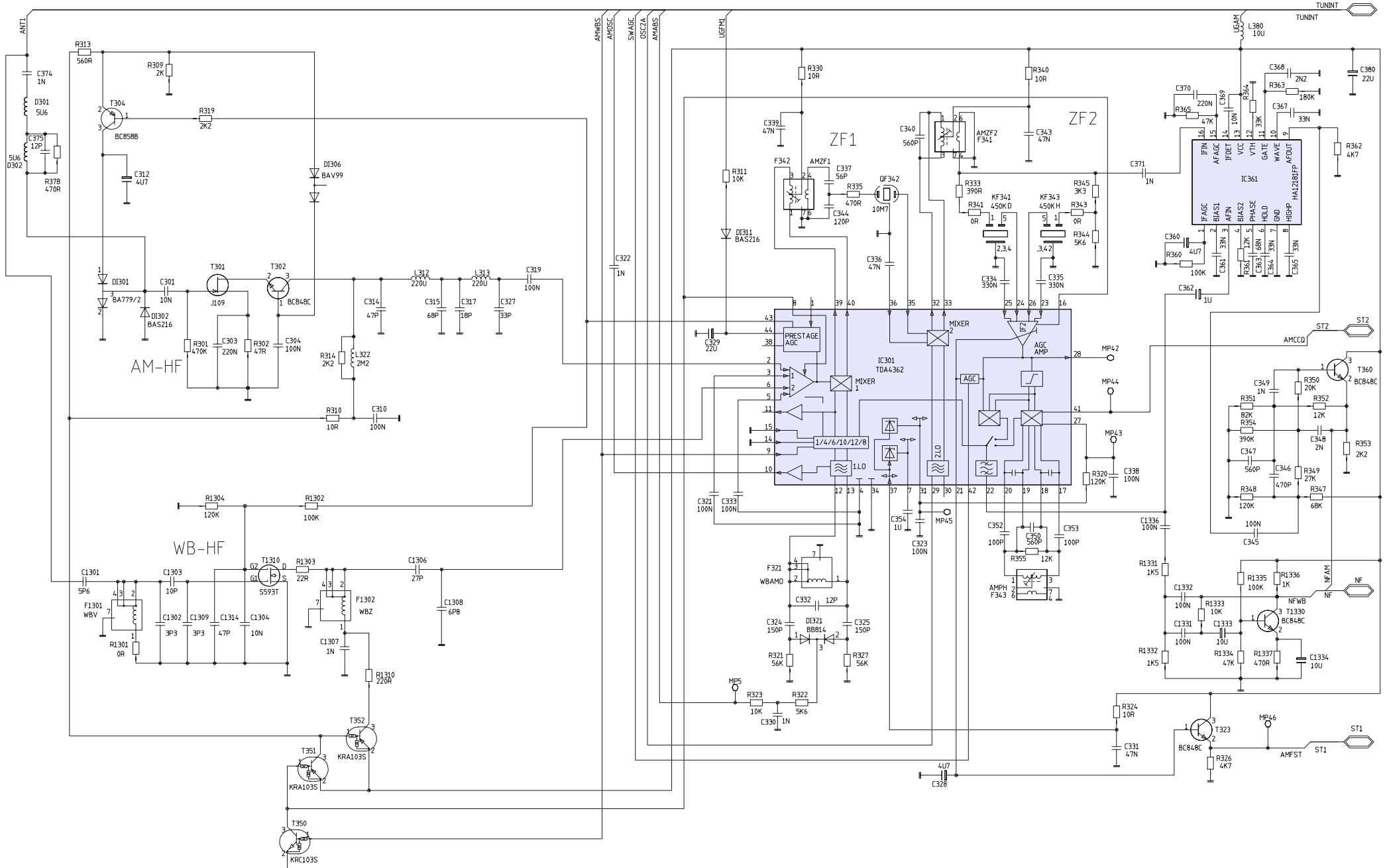
AF-section  
Page 10

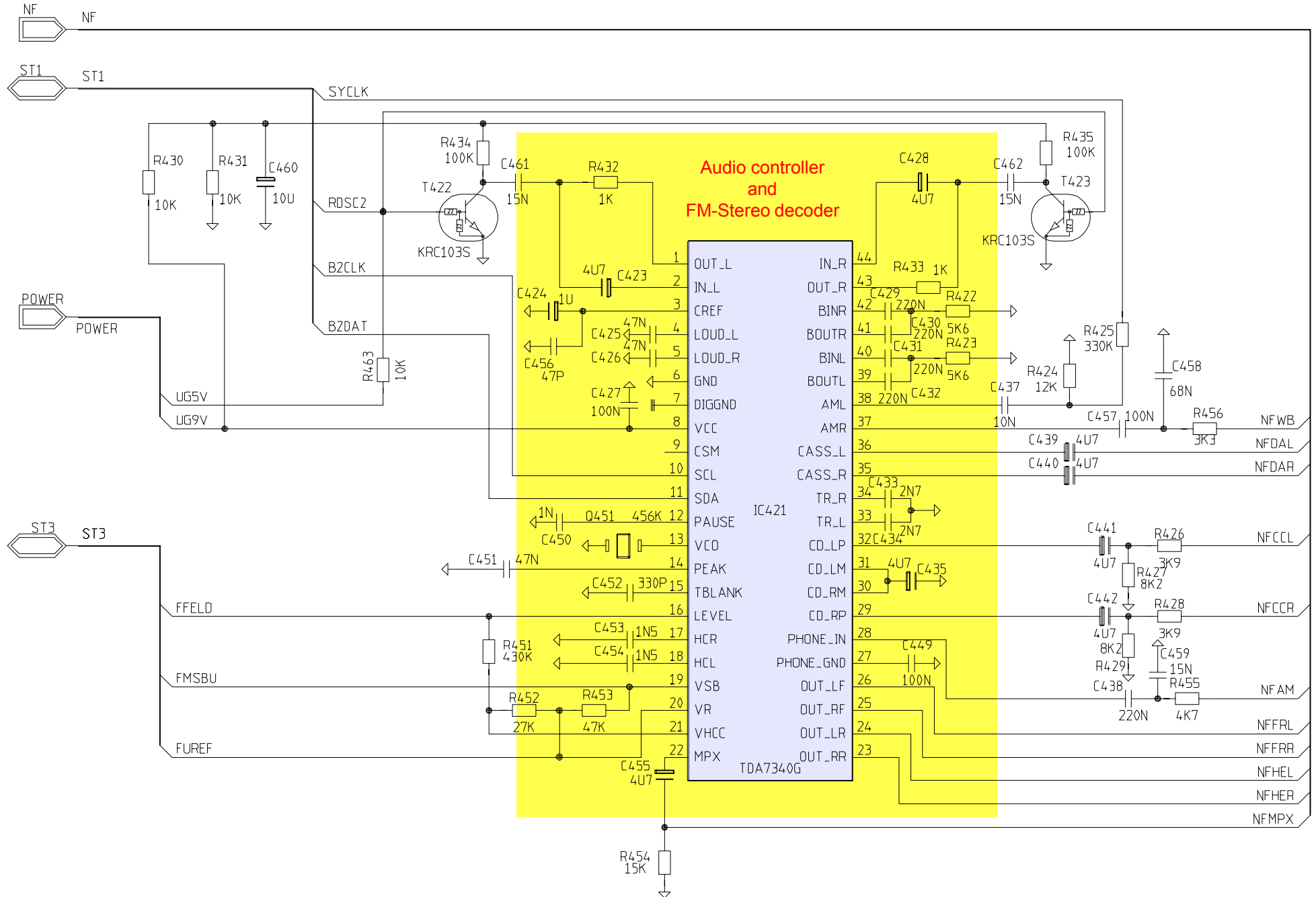


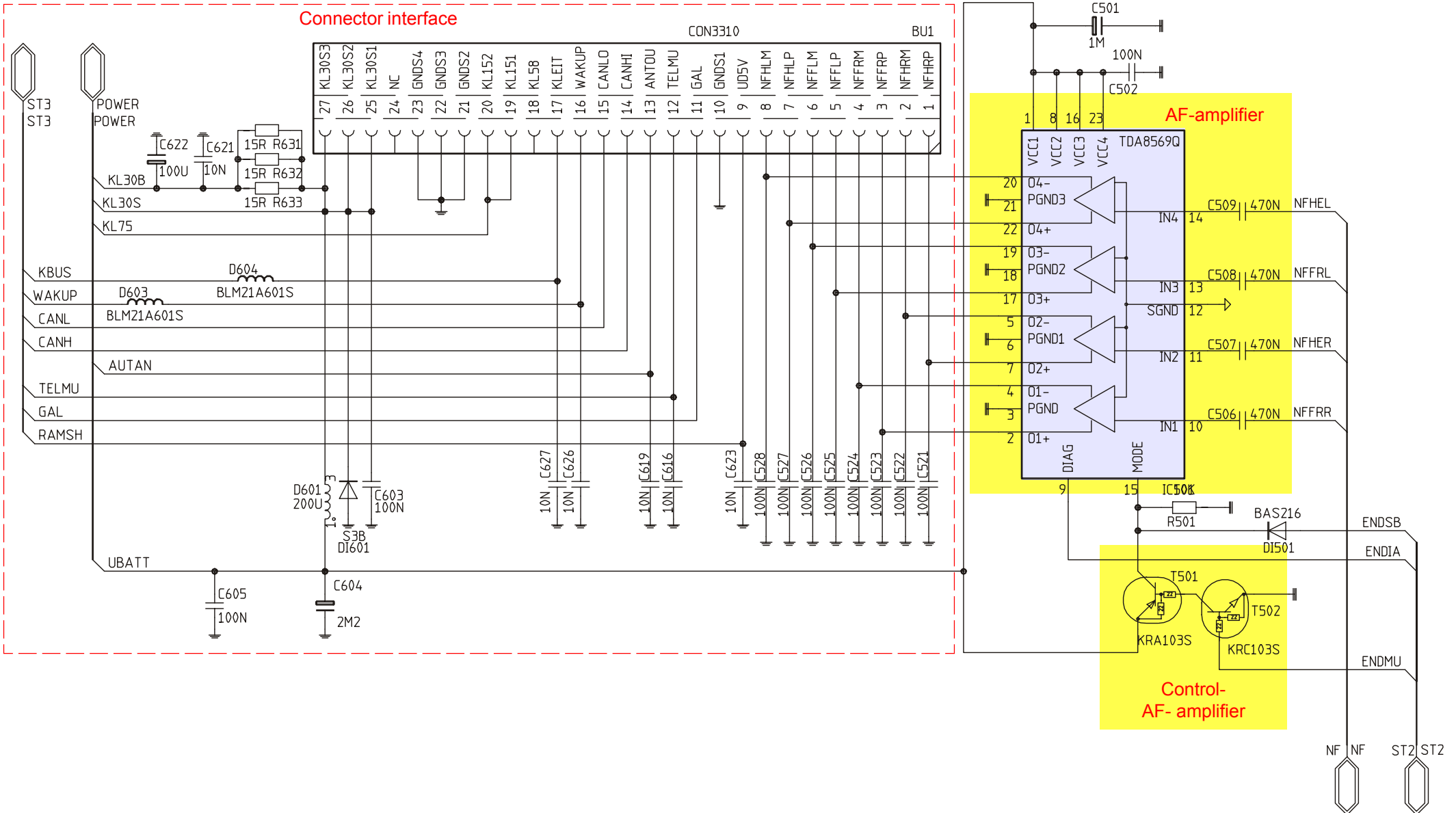


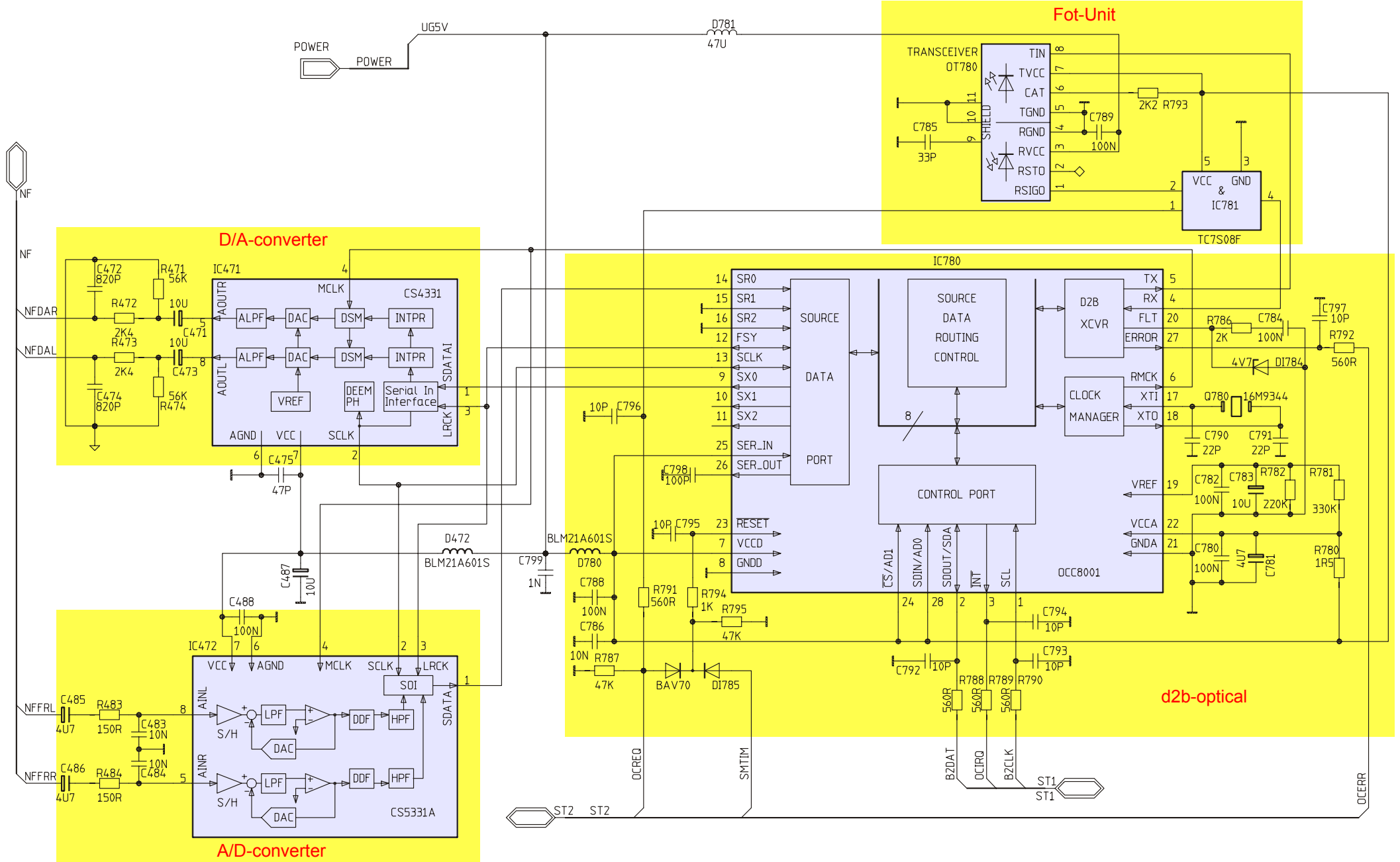


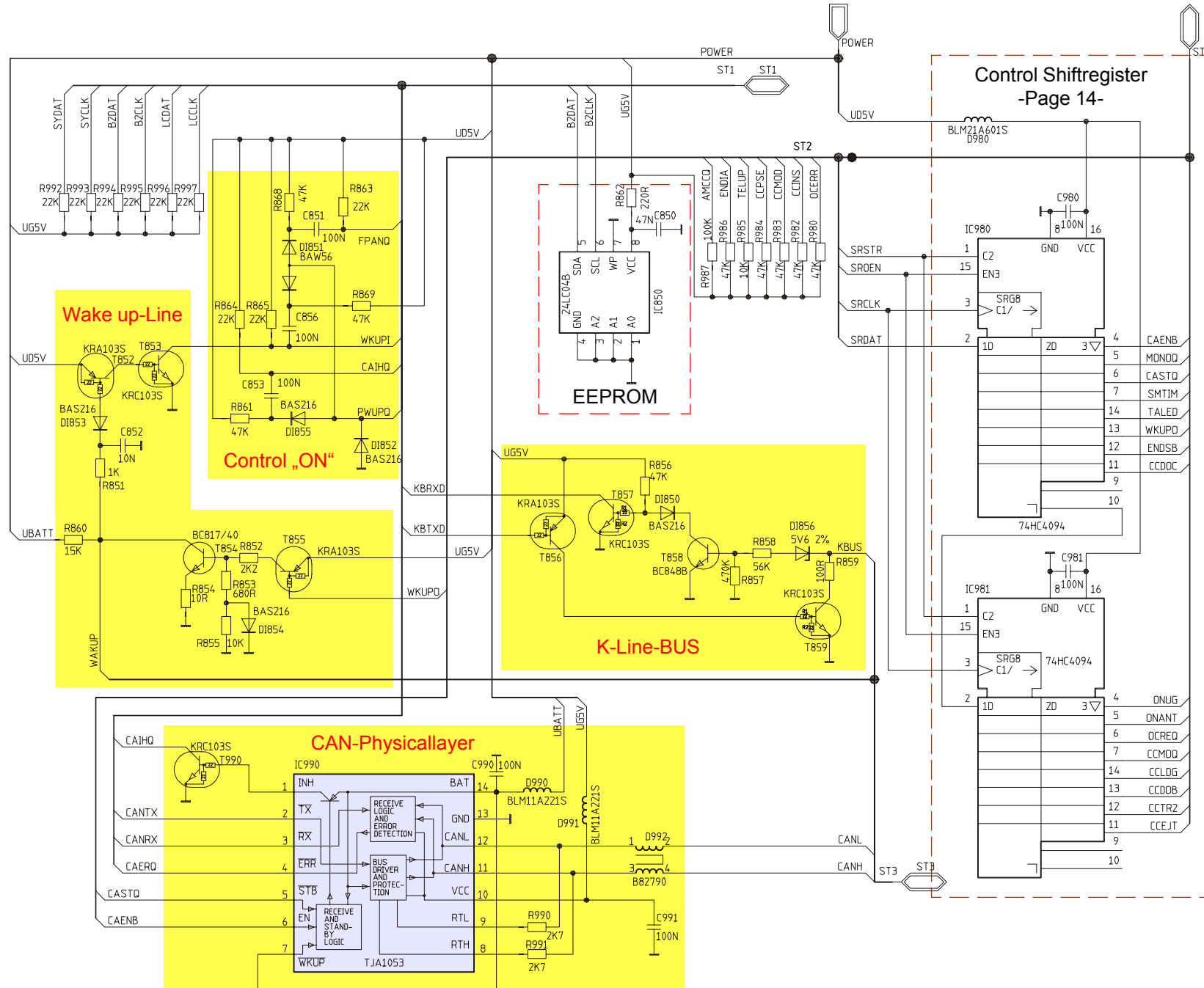




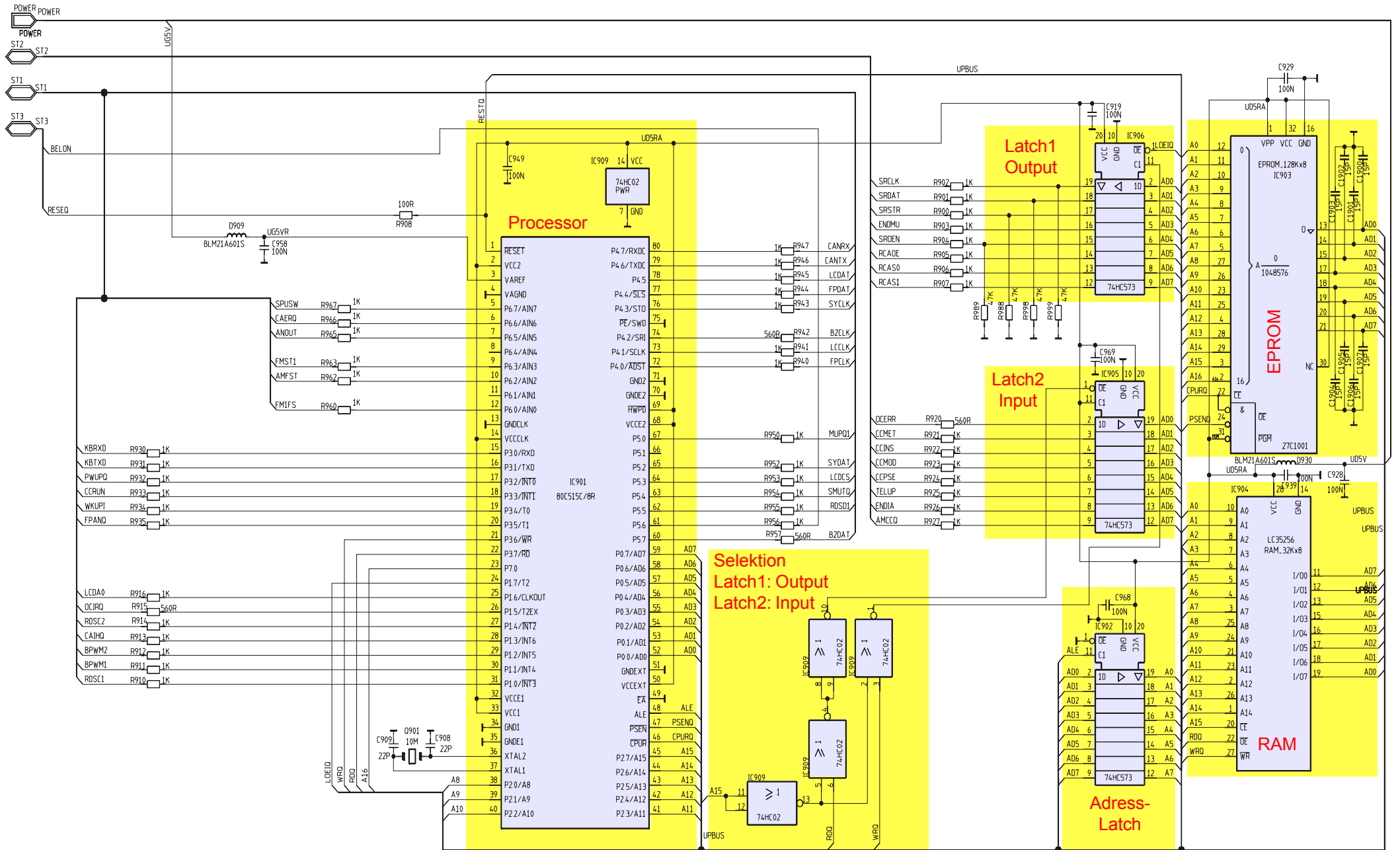


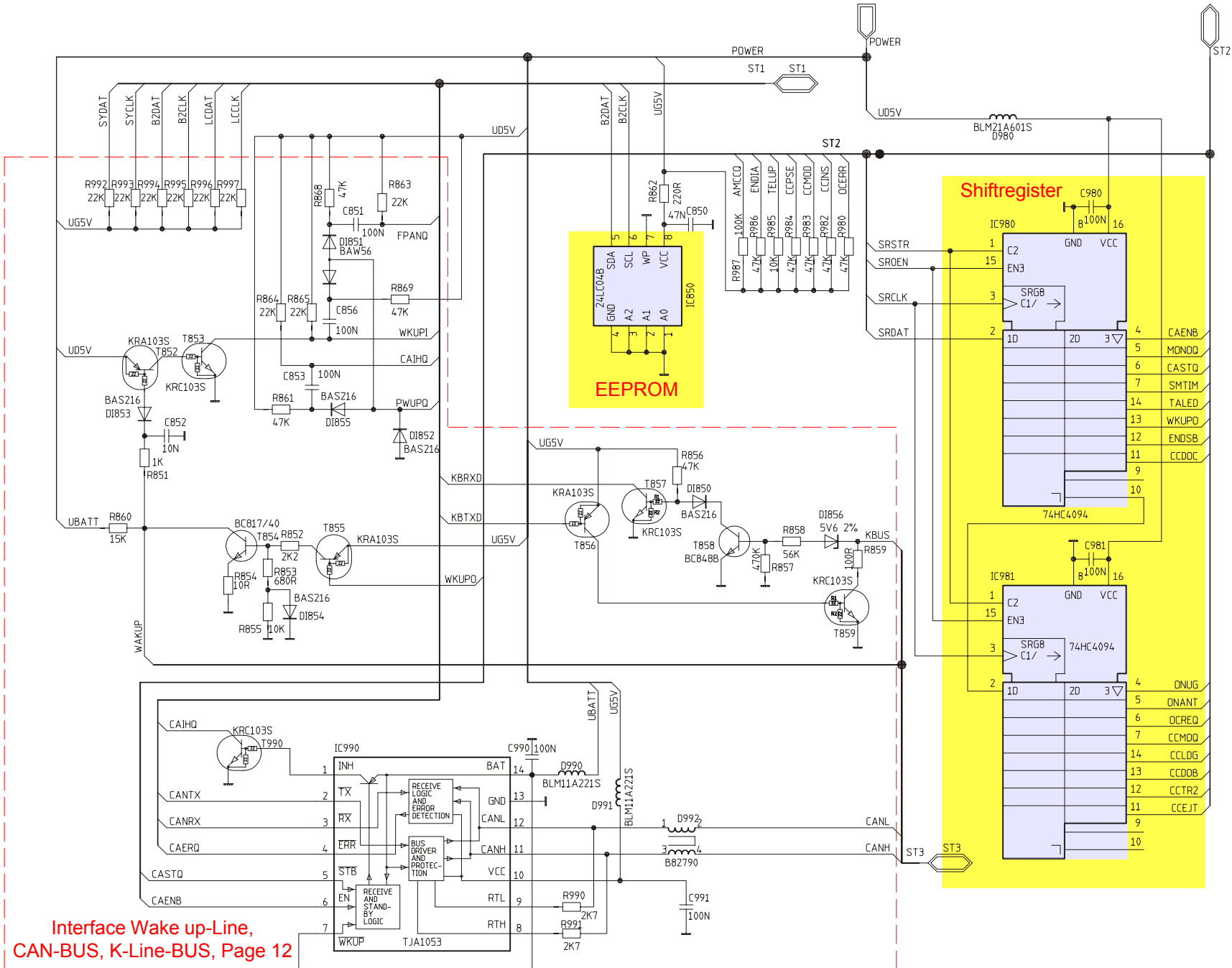




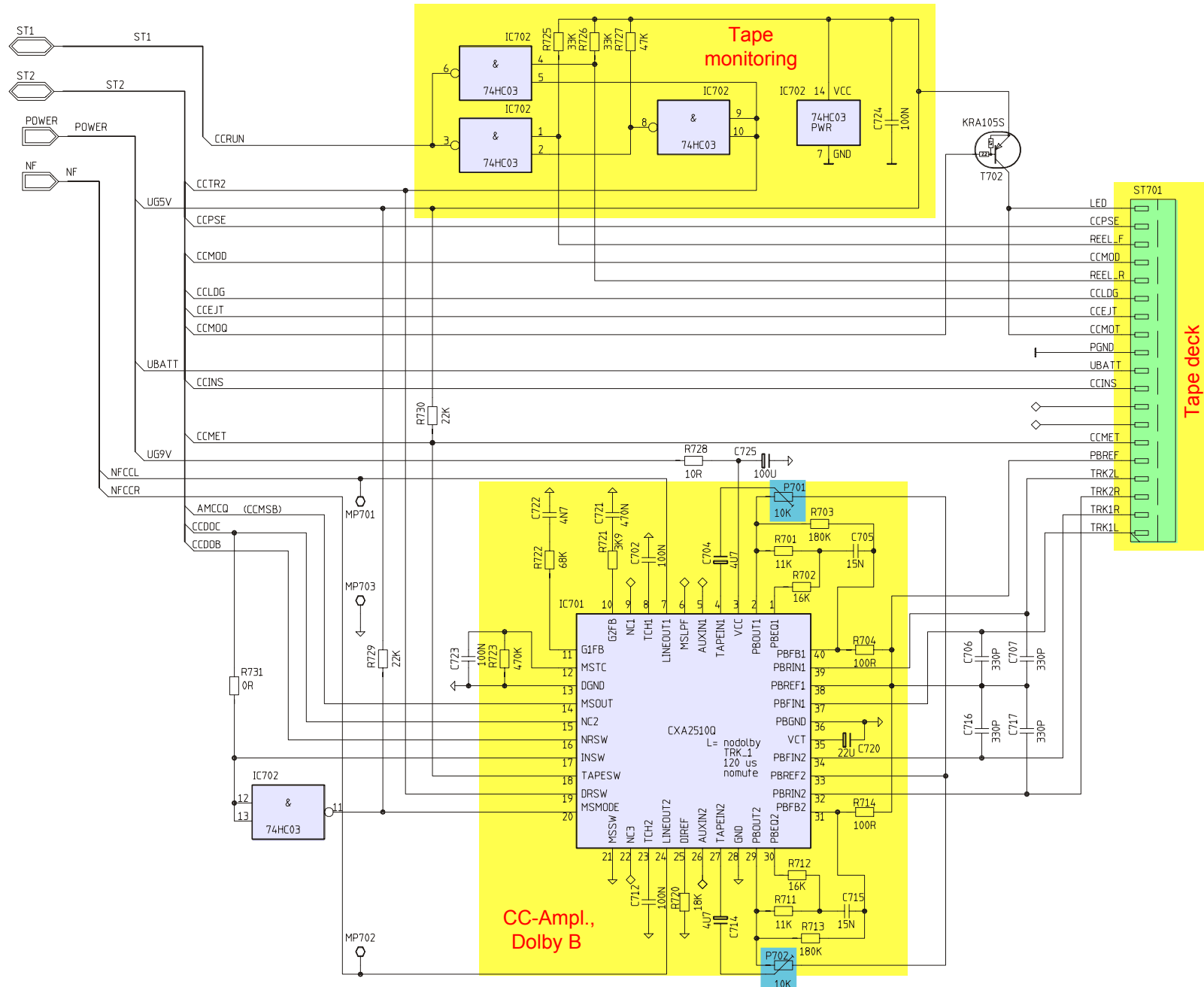


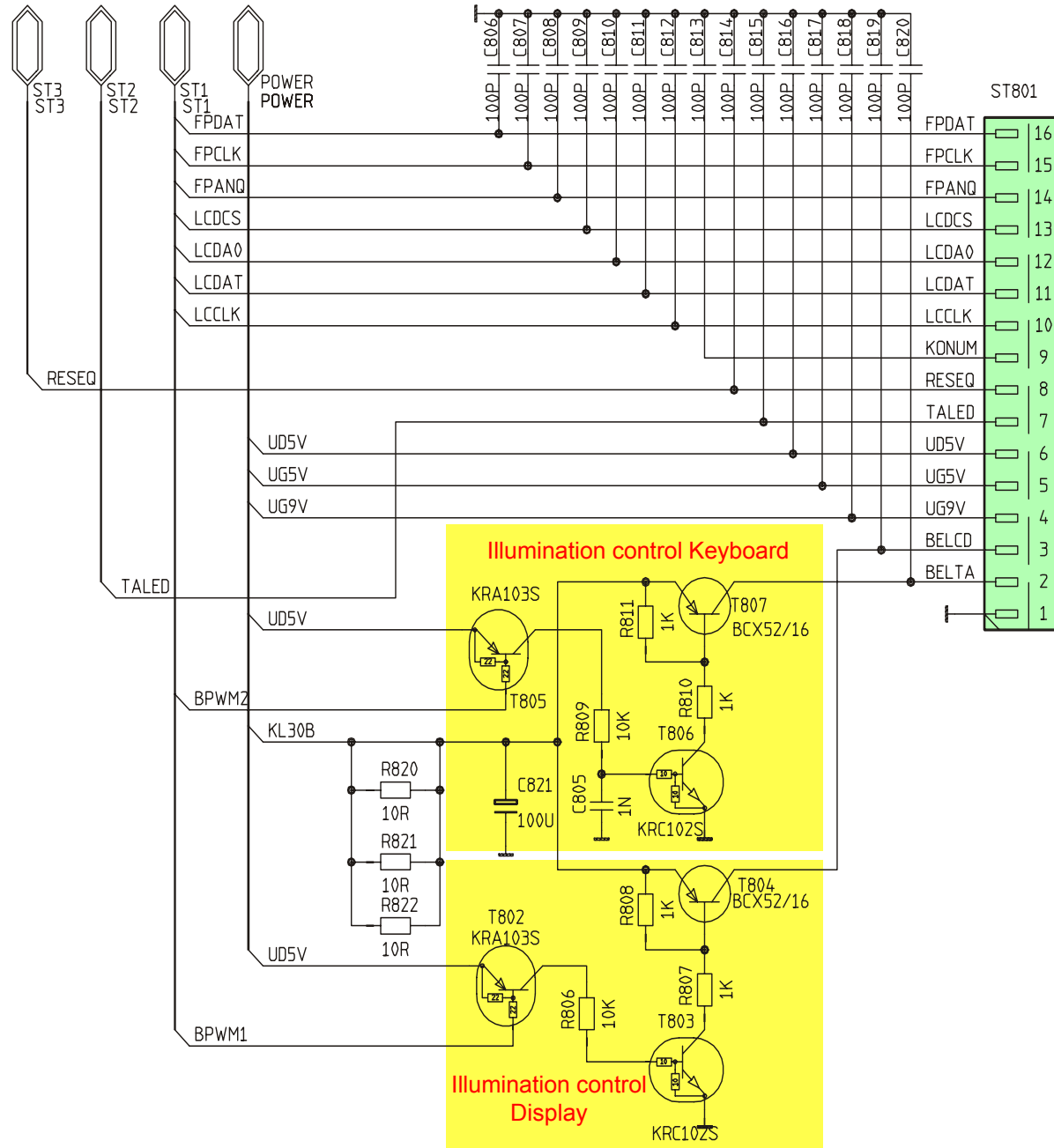


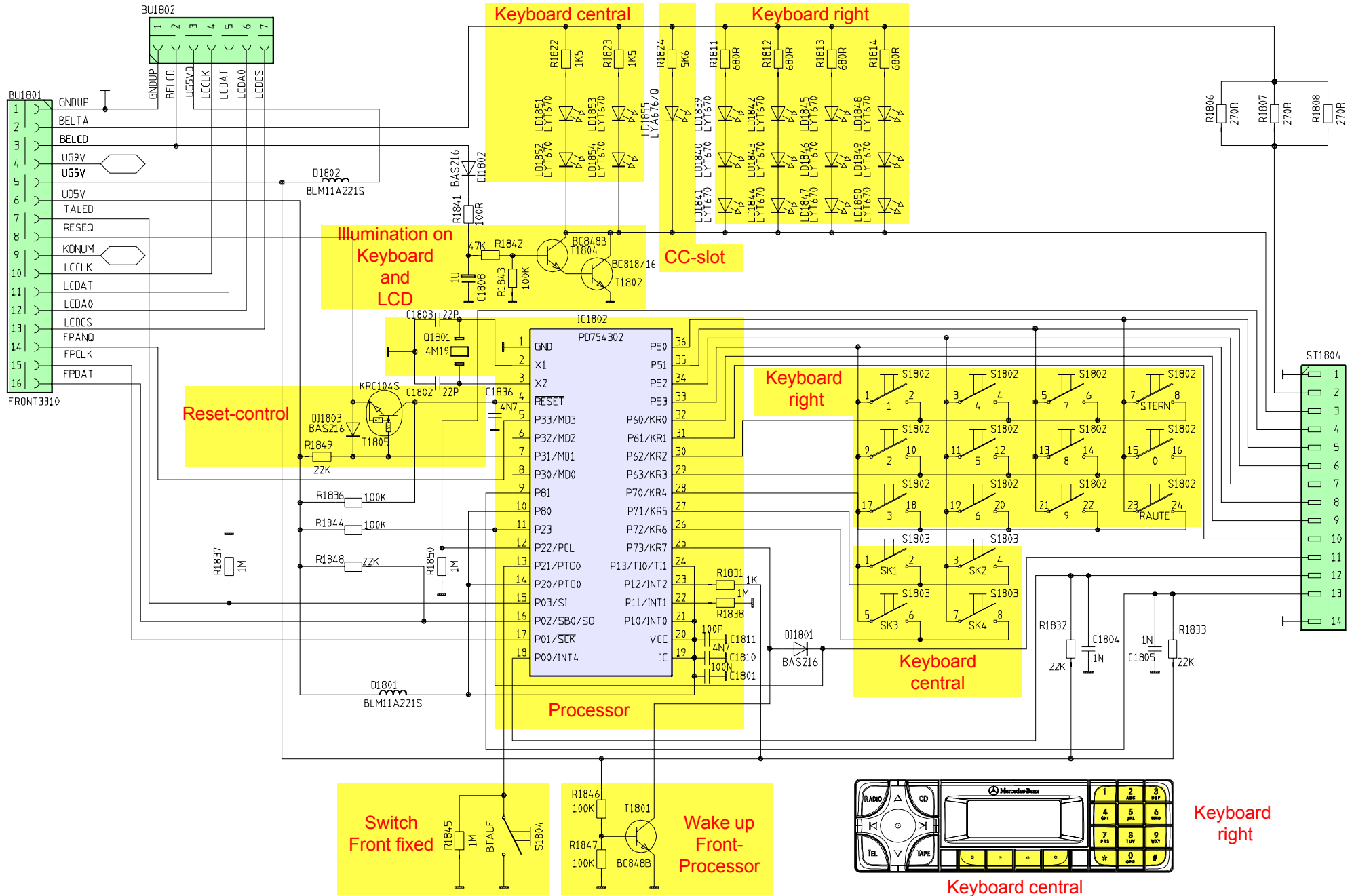


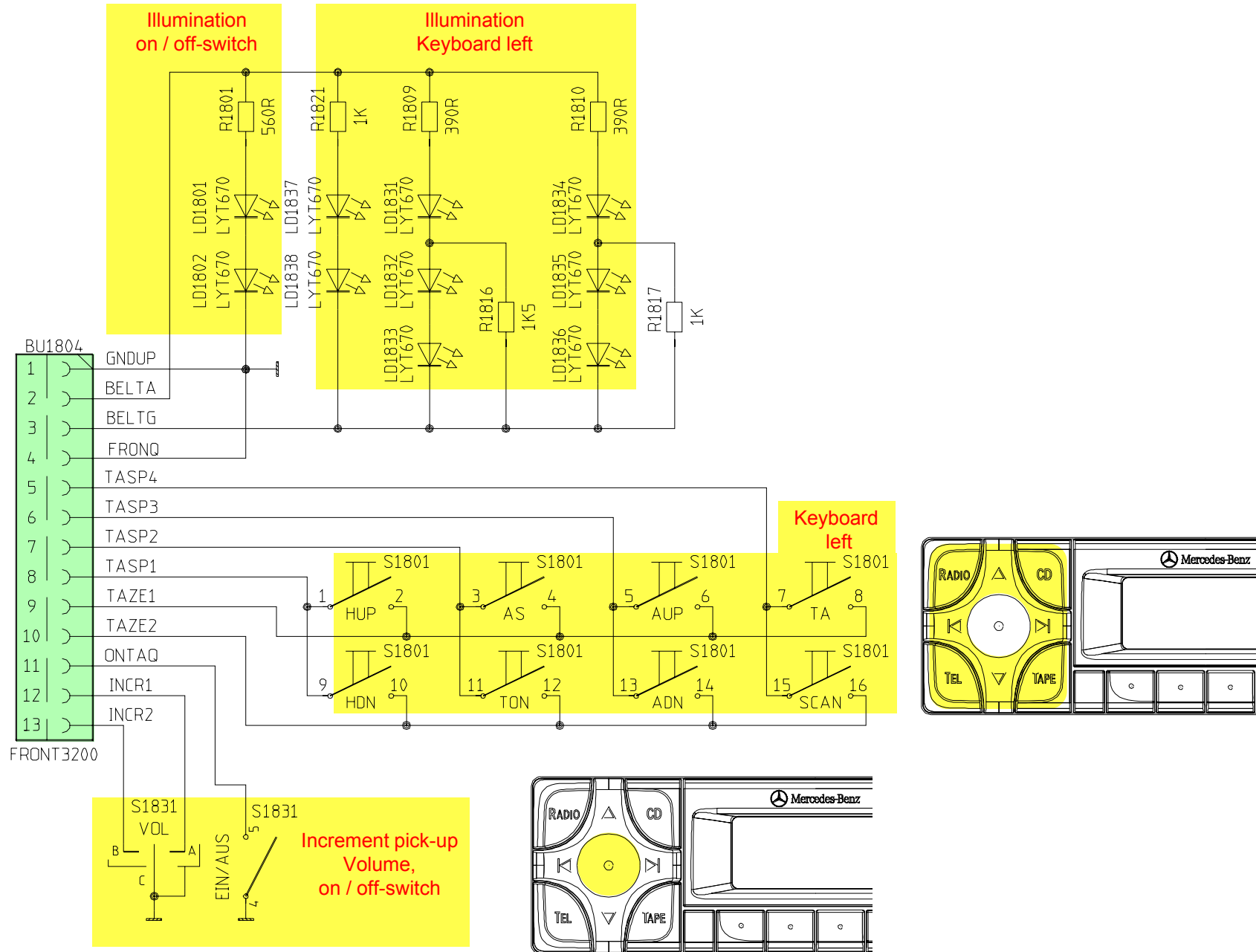


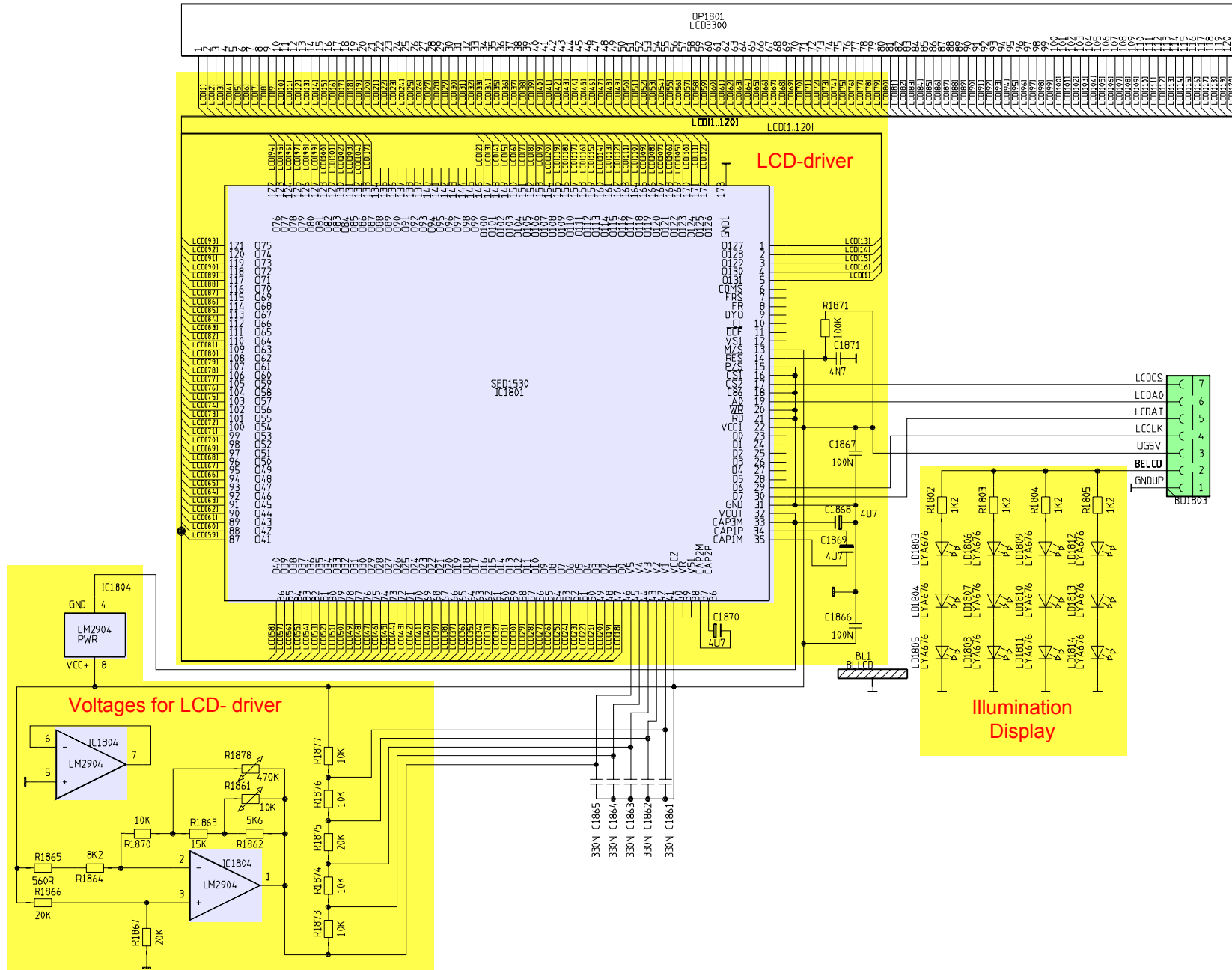
Interface Wake up-Line, CAN-BUS, K-Line-BUS, Page 12











Pos.	Part.-No.	Denomination
1	1284614	CHASSIS VMT
2	1309765	COVER, CHASSIS
3	1284622	HOLDING SPRING-RIGHT
4	1284630	HOLDING SPRING-LEFT
5	1271997	PROTECTION CAP -D2B HEADER- AMP
6	1278916	CONNECTOR 21 POL D&R K37000300
7	1246909	HEAT SINK 3310 WGR11318
8	1246917	IC-HOLDER
9	1246992	SCREENING FRAME-FM- WITH ANT.SOCKET
10	1244744	TAPEDECK ASSY ALP GR71-S36B (MJ'98)
11	1285300	OPERATION ESCUTCHEON
12	1286579	P.C. BOARD FRONT 9090
13	xxxxxxx	TRIM PLATE FIX CPL. RIGHT
14	1294391	OPERATION ESCUTCHEON MOBIL CPL. LEFT
15	1294415	COVER, MOBIL AUDIO 30 US
16	1295421	TRIM PLATE CPL. LEFT
17	1283812	CONTACT MAT -12 -KEYS
18	1284150	UNCLAMP
19	1284169	WITH CLOCK SPRING
20	1309110	LCD-MODUL CPL.
21	1286552	TRIM PLATE LCD PRINTING
22	1284193	COVER, LCD
23	1284207	FLEX LINE
24	1284266	ROTATION DAMPER
25	1284258	CLOCK SPRING-LCD
26	1257919	SPRING CLAMP (CC)
27	1284290	CONTROL LEVER (CC)
28	1284061	LIGHT CONDUCTOR (CC)
29	1284177	BUTTON TURNING KNOB / ON
<b>BU1802</b>	1284282	CONNECTOR,7POL MB98/DIN AMP 487951-7
<b>BU1803</b>	1284282	CONNECTOR,7POL MB98/DIN AMP 487951-7
<b>C101</b>	1223925	CECA-CH 6P8 J NP0 0603 BAW SPE0030A315
<b>C102</b>	1173324	CECA-CH 1N J NP0 0805 BAW SPE0003A315
<b>C103</b>	1223909	CECA-CH 1P5 J NP0 0603 BAW SPE0030A315
<b>C104</b>	1173324	CECA-CH 1N J NP0 0805 BAW SPE0003A315
<b>C105</b>	1246348	CECA-CH 100N K X7R 0805 BAW SPE0035A315
<b>C106</b>	1173324	CECA-CH 1N J NP0 0805 BAW SPE0003A315
<b>C107</b>	1173324	CECA-CH 1N J NP0 0805 BAW SPE0003A315
<b>C108</b>	1249150	ALCA 22U M 16V BAW SPE0067A312-RM2,5
<b>C109</b>	1233971	CECA-CH 10P J NP0 0603 BAW SPE0030A315
<b>C110</b>	1173324	CECA-CH 1N J NP0 0805 BAW SPE0003A315
<b>C111</b>	1246348	CECA-CH 100N K X7R 0805 BAW SPE0035A315
<b>C112</b>	1288180	CECA-CH 1P8 J NP0 0603 BAW SPE0030A315
<b>C113</b>	1223925	CECA-CH 6P8 J NP0 0603 BAW SPE0030A315
<b>C114</b>	1173324	CECA-CH 1N J NP0 0805 BAW SPE0003A315
<b>C115</b>	1238787	CECA-CH 5P6 J NP0 0603 BAW SPE0030A315



C116	1223925	CECA-CH 6P8 J NP0 0603 BAW SPE0030A315
C117	1223951	CECA-CH 22P J NP0 0603 BAW SPE0030A315
C118	1223976	CECA-CH 47P J NP0 0603 BAW SPE0030A315
C120	1238787	CECA-CH 5P6 J NP0 0603 BAW SPE0030A315
C121	1173324	CECA-CH 1N J NP0 0805 BAW SPE0003A315
C122	1243012	CECA-CH 27P J NPO 0603 BAW SPE0030A315
C123	1166751	CECA-CH 4N7 K X7R 0805 BAW SPE0015A315
C125	1246348	CECA-CH 100N K X7R 0805 BAW SPE0035A315
C126	1173324	CECA-CH 1N J NP0 0805 BAW SPE0003A315
C127	1249150	ALCA 22U M 16V BAW SPE0067A312-RM2,5
C128	1246348	CECA-CH 100N K X7R 0805 BAW SPE0035A315
C1301	1238787	CECA-CH 5P6 J NP0 0603 BAW SPE0030A315
C1302	1258321	CECA-CH 3P3 J NP0 0603 BAW SPE0030A315
C1303	1233971	CECA-CH 10P J NP0 0603 BAW SPE0030A315
C1304	1119117	CECA-CH 10N J X7R 0805 BAW SPE0014A315
C1306	1243012	CECA-CH 27P J NPO 0603 BAW SPE0030A315
C1307	1173324	CECA-CH 1N J NP0 0805 BAW SPE0003A315
C1308	1223925	CECA-CH 6P8 J NP0 0603 BAW SPE0030A315
C1309	1258321	CECA-CH 3P3 J NP0 0603 BAW SPE0030A315
C1314	1223976	CECA-CH 47P J NP0 0603 BAW SPE0030A315
C1331	1119214	CECA-CH 100N J X7R 1206 BAW SPE0016A315
C1332	1119214	CECA-CH 100N J X7R 1206 BAW SPE0016A315
C1333	1171984	ALCA 10U M 35V G BAW SPE0053A31 RM2,5
C1334	1171984	ALCA 10U M 35V G BAW SPE0053A31 RM2,5
C1336	1246348	CECA-CH 100N K X7R 0805 BAW SPE0035A315
C151	1223968	CECA-CH 33P J NP0 0603 BAW SPE0030A315
C152	1223925	CECA-CH 6P8 J NP0 0603 BAW SPE0030A315
C153	1234536	CECA-CH 100P J NP0 0603 BAW SPE0030A315
C155	1234536	CECA-CH 100P J NP0 0603 BAW SPE0030A315
C156	0356417	FOCA 6N8 K 100V G WIM FKS2-RM5
C157	1246631	CECA-CH 390P J NP0 0603 BAW SPE0030A315
C158	1119176	CECA-CH 22N J X7R 0805 BAW SPE0014A315
C159	1249169	ALCA 47U M 16V BAW SPE0068A312-RM2,5
C161	1173324	CECA-CH 1N J NP0 0805 BAW SPE0003A315
C162	1246348	CECA-CH 100N K X7R 0805 BAW SPE0035A315
C165	1119222	CECA-CH 470P K X7R 0805 BAW SPE0015A315
C166	1234536	CECA-CH 100P J NP0 0603 BAW SPE0030A315
C168	1249169	ALCA 47U M 16V BAW SPE0068A312-RM2,5
C169	1246348	CECA-CH 100N K X7R 0805 BAW SPE0035A315
C1801	1246348	CECA-CH 100N K X7R 0805 BAW SPE0035A315
C1802	1223951	CECA-CH 22P J NP0 0603 BAW SPE0030A315
C1803	1223951	CECA-CH 22P J NP0 0603 BAW SPE0030A315
C1804	1173324	CECA-CH 1N J NP0 0805 BAW SPE0003A315
C1805	1173324	CECA-CH 1N J NP0 0805 BAW SPE0003A315
C1808	1238647	TACA-CH 1U K B G 35V BAW SPE0005A313
C1810	1166751	CECA-CH 4N7 K X7R 0805 BAW SPE0015A315
C1811	1234536	CECA-CH 100P J NP0 0603 BAW SPE0030A315

C1836	1166751	CECA-CH 4N7 K X7R 0805 BAW SPE0015A315
C1861	1246208	CECA-CH 330N J X7R 1206 16V MUR GRM42-6
C1862	1246208	CECA-CH 330N J X7R 1206 16V MUR GRM42-6
C1863	1246208	CECA-CH 330N J X7R 1206 16V MUR GRM42-6
C1864	1246208	CECA-CH 330N J X7R 1206 16V MUR GRM42-6
C1865	1246208	CECA-CH 330N J X7R 1206 16V MUR GRM42-6
C1866	1246348	CECA-CH 100N K X7R 0805 BAW SPE0035A315
C1867	1246348	CECA-CH 100N K X7R 0805 BAW SPE0035A315
C1868	1028715	TACA-CH 4U7 M B G 10V BAW SPE0008A313
C1869	1028715	TACA-CH 4U7 M B G 10V BAW SPE0008A313
C1870	1028715	TACA-CH 4U7 M B G 10V BAW SPE0008A313
C1871	1166751	CECA-CH 4N7 K X7R 0805 BAW SPE0015A315
C1900	1223933	CECA-CH 15P J NP0 0603 BAW SPE0030A315
C1901	1223933	CECA-CH 15P J NP0 0603 BAW SPE0030A315
C1902	1223933	CECA-CH 15P J NP0 0603 BAW SPE0030A315
C1903	1223933	CECA-CH 15P J NP0 0603 BAW SPE0030A315
C1904	1223933	CECA-CH 15P J NP0 0603 BAW SPE0030A315
C1905	1223933	CECA-CH 15P J NP0 0603 BAW SPE0030A315
C1906	1223933	CECA-CH 15P J NP0 0603 BAW SPE0030A315
C1907	1223933	CECA-CH 15P J NP0 0603 BAW SPE0030A315
C204	1173324	CECA-CH 1N J NP0 0805 BAW SPE0003A315
C206	1119176	CECA-CH 22N J X7R 0805 BAW SPE0014A315
C207	1119125	CECA-CH 10N K X7R 0805 BAW SPE0015A315
C209	1249150	ALCA 22U M 16V BAW SPE0067A312-RM2,5
C210	1119176	CECA-CH 22N J X7R 0805 BAW SPE0014A315
C211	1073516	CECA-CH 150P J NP0 0805 BAW SPE0003A315
C212	1166751	CECA-CH 4N7 K X7R 0805 BAW SPE0015A315
C213	1167170	CECA-CH 2N2 K X7R 0805 BAW SPE0015A315
C214	1119176	CECA-CH 22N J X7R 0805 BAW SPE0014A315
C215	1182943	CECA-CH 47N K X7R 0805 BAW SPE0015A315
C217	1119176	CECA-CH 22N J X7R 0805 BAW SPE0014A315
C218	1066110	CECA-CH 470P J NP0 0805 BAW SPE0003A315
C219	1119125	CECA-CH 10N K X7R 0805 BAW SPE0015A315
C226	1234897	CECA-CH 150P J P2H 0603 MUR GRM39
C227	1270788	CECA-CH 1N2 J S2H 1206 50V MUR GRM42-6
C232	1258877	ALCA 4U7 M 50V G BAW SPE0049A31 RM2,5
C233	1258877	ALCA 4U7 M 50V G BAW SPE0049A31 RM2,5
C234	1119192	CECA-CH 33N K X7R 0805 BAW SPE0015A315
C235	1246321	CECA-CH 220N K X7R 1206 BAW SPE0036A315
C236	1173324	CECA-CH 1N J NP0 0805 BAW SPE0003A315
C237	1246348	CECA-CH 100N K X7R 0805 BAW SPE0035A315
C238	1246348	CECA-CH 100N K X7R 0805 BAW SPE0035A315
C239	1246348	CECA-CH 100N K X7R 0805 BAW SPE0035A315
C240	1246348	CECA-CH 100N K X7R 0805 BAW SPE0035A315
C241	1246348	CECA-CH 100N K X7R 0805 BAW SPE0035A315
C251	1166751	CECA-CH 4N7 K X7R 0805 BAW SPE0015A315
C252	1272357	TACA-CH 6U8 K B G 16V SNPB SIE B45196-H

C253	1246348	CECA-CH 100N K X7R 0805 BAW SPE0035A315
C301	1119117	CECA-CH 10N J X7R 0805 BAW SPE0014A315
C303	1246321	CECA-CH 220N K X7R 1206 BAW SPE0036A315
C304	1246348	CECA-CH 100N K X7R 0805 BAW SPE0035A315
C310	1246348	CECA-CH 100N K X7R 0805 BAW SPE0035A315
C312	1258877	ALCA 4U7 M 50V G BAW SPE0049A31 RM2,5
C314	1223976	CECA-CH 47P J NP0 0603 BAW SPE0030A315
C315	1223984	CECA-CH 68P J NP0 0603 BAW SPE0030A315
C317	1223941	CECA-CH 18P J NP0 0603 BAW SPE0030A315
C319	1246348	CECA-CH 100N K X7R 0805 BAW SPE0035A315
C321	1246348	CECA-CH 100N K X7R 0805 BAW SPE0035A315
C322	1119060	CECA-CH 1N K X7R 0805 BAW SPE0015A315
C323	1246348	CECA-CH 100N K X7R 0805 BAW SPE0035A315
C324	1223992	CECA-CH 150P J NP0 0603 BAW SPE0030A315
C325	1223992	CECA-CH 150P J NP0 0603 BAW SPE0030A315
C327	1223968	CECA-CH 33P J NP0 0603 BAW SPE0030A315
C328	1258877	ALCA 4U7 M 50V G BAW SPE0049A31 RM2,5
C329	1249150	ALCA 22U M 16V BAW SPE0067A312-RM2,5
C330	1173324	CECA-CH 1N J NP0 0805 BAW SPE0003A315
C331	1182943	CECA-CH 47N K X7R 0805 BAW SPE0015A315
C332	1233971	CECA-CH 10P J NP0 0603 BAW SPE0030A315
C333	1246348	CECA-CH 100N K X7R 0805 BAW SPE0035A315
C334	1246208	CECA-CH 330N J X7R 1206 16V MUR GRM42-6
C335	1246208	CECA-CH 330N J X7R 1206 16V MUR GRM42-6
C336	1182943	CECA-CH 47N K X7R 0805 BAW SPE0015A315
C337	1258796	CECA-CH 56P J S2H 0603 50V MUR GRM39
C338	1246348	CECA-CH 100N K X7R 0805 BAW SPE0035A315
C339	1182943	CECA-CH 47N K X7R 0805 BAW SPE0015A315
C340	1244035	CECA-CH 560P J U2J 0603 MUR GRM39
C343	1182943	CECA-CH 47N K X7R 0805 BAW SPE0015A315
C344	1225545	CECA-CH 120P J 0603 NP0 BAW SPE0030A315
C345	1246348	CECA-CH 100N K X7R 0805 BAW SPE0035A315
C346	1162241	CECA-CH 470P G NP0 0805 BAW SPE0027A315
C347	1162284	CECA-CH 560P G NP0 0805 BAW SPE0027A315
C348	1254782	CECA-CH 2N G NPO 0805 50V MUR GRM40
C349	1239961	CECA-CH 1N F NP0 0805 BAW SPE0029A315
C350	1270540	CECA-CH 560P J NPO 0603 50V MUR GRM39
C352	1234536	CECA-CH 100P J NP0 0603 BAW SPE0030A315
C353	1234536	CECA-CH 100P J NP0 0603 BAW SPE0030A315
C354	1283499	CECA-CH 1U K X7R 0805 10V MUR GRM 40
C360	1258877	ALCA 4U7 M 50V G BAW SPE0049A31 RM2,5
C361	1119192	CECA-CH 33N K X7R 0805 BAW SPE0015A315
C362	1171879	ALCA 1U M 50V G BAW SPE0042A312 RM2,5
C363	1270648	CECA-CH 68N J X7R 0805 25V MUR GRM40
C364	1119192	CECA-CH 33N K X7R 0805 BAW SPE0015A315
C365	1119192	CECA-CH 33N K X7R 0805 BAW SPE0015A315
C367	1119192	CECA-CH 33N K X7R 0805 BAW SPE0015A315

C368	1276220	CECA-CH 2N2 J X7R 0805 50V BAW SPE0014A
C369	1119117	CECA-CH 10N J X7R 0805 BAW SPE0014A315
C370	1246321	CECA-CH 220N K X7R 1206 BAW SPE0036A315
C371	1173324	CECA-CH 1N J NP0 0805 BAW SPE0003A315
C374	1173324	CECA-CH 1N J NP0 0805 BAW SPE0003A315
C375	1227653	CECA-CH 12P J NP0 0603 BAW SPE0030A
C380	1249150	ALCA 22U M 16V BAW SPE0067A312-RM2,5
C423	1258877	ALCA 4U7 M 50V G BAW SPE0049A31 RM2,5
C424	1258907	ALKO-CH 1U M 50V I G BAW SPE0161A312
C425	1182943	CECA-CH 47N K X7R 0805 BAW SPE0015A315
C426	1182943	CECA-CH 47N K X7R 0805 BAW SPE0015A315
C427	1246348	CECA-CH 100N K X7R 0805 BAW SPE0035A315
C428	1258877	ALCA 4U7 M 50V G BAW SPE0049A31 RM2,5
C429	1255711	CECA-CH 220N J X7R 1206 BAW SPE0037A315
C430	1255711	CECA-CH 220N J X7R 1206 BAW SPE0037A315
C431	1255711	CECA-CH 220N J X7R 1206 BAW SPE0037A315
C432	1255711	CECA-CH 220N J X7R 1206 BAW SPE0037A315
C433	1083945	CECA-CH 2N7 J NP0 1206 BAW SPE0007A315
C434	1083945	CECA-CH 2N7 J NP0 1206 BAW SPE0007A315
C435	1258877	ALCA 4U7 M 50V G BAW SPE0049A31 RM2,5
C437	1119125	CECA-CH 10N K X7R 0805 BAW SPE0015A315
C438	1246321	CECA-CH 220N K X7R 1206 BAW SPE0036A315
C439	1258877	ALCA 4U7 M 50V G BAW SPE0049A31 RM2,5
C440	1258877	ALCA 4U7 M 50V G BAW SPE0049A31 RM2,5
C441	1258877	ALCA 4U7 M 50V G BAW SPE0049A31 RM2,5
C442	1258877	ALCA 4U7 M 50V G BAW SPE0049A31 RM2,5
C449	1246348	CECA-CH 100N K X7R 0805 BAW SPE0035A315
C450	1119060	CECA-CH 1N K X7R 0805 BAW SPE0015A315
C451	1182943	CECA-CH 47N K X7R 0805 BAW SPE0015A315
C452	1066102	CECA-CH 330P J NP0 0805 BAW SPE0003A315
C453	1279416	CECA-CH 1N5 K X7R 0805 50V BAW SPE0015A3
C454	1279416	CECA-CH 1N5 K X7R 0805 50V BAW SPE0015A3
C455	1258877	ALCA 4U7 M 50V G BAW SPE0049A31 RM2,5
C456	1223976	CECA-CH 47P J NP0 0603 BAW SPE0030A315
C457	1246348	CECA-CH 100N K X7R 0805 BAW SPE0035A315
C458	1270648	CECA-CH 68N J X7R 0805 25V MUR GRM40
C459	1119133	CECA-CH 15N J X7R 0805 BAW SPE0014A315
C471	1171984	ALCA 10U M 35V G BAW SPE0053A31 RM2,5
C472	1083899	CECA-CH 820P J NP0 1206 BAW SPE0006A315
C473	1171984	ALCA 10U M 35V G BAW SPE0053A31 RM2,5
C474	1083899	CECA-CH 820P J NP0 1206 BAW SPE0006A315
C475	1223976	CECA-CH 47P J NP0 0603 BAW SPE0030A315
C483	1253441	FOKO-CH 10N J 1206 50V G PAN ECHU
C484	1253441	FOKO-CH 10N J 1206 50V G PAN ECHU
C485	1258877	ALCA 4U7 M 50V G BAW SPE0049A31 RM2,5
C486	1258877	ALCA 4U7 M 50V G BAW SPE0049A31 RM2,5
C487	1171984	ALCA 10U M 35V G BAW SPE0053A31 RM2,5

<b>C488</b>	<b>1246348</b>	CECA-CH 100N K X7R 0805 BAW SPE0035A315
<b>C501</b>	<b>1186973</b>	ALCA 1M M 25V G BAW SPE0074A312-RM5
<b>C502</b>	<b>1246348</b>	CECA-CH 100N K X7R 0805 BAW SPE0035A315
<b>C506</b>	<b>1281641</b>	FOKO 470N J 50V G BAW SPE0018A314 RM5
<b>C507</b>	<b>1281641</b>	FOKO 470N J 50V G BAW SPE0018A314 RM5
<b>C508</b>	<b>1281641</b>	FOKO 470N J 50V G BAW SPE0018A314 RM5
<b>C509</b>	<b>1281641</b>	FOKO 470N J 50V G BAW SPE0018A314 RM5
<b>C521</b>	<b>1246348</b>	CECA-CH 100N K X7R 0805 BAW SPE0035A315
<b>C522</b>	<b>1246348</b>	CECA-CH 100N K X7R 0805 BAW SPE0035A315
<b>C523</b>	<b>1246348</b>	CECA-CH 100N K X7R 0805 BAW SPE0035A315
<b>C524</b>	<b>1246348</b>	CECA-CH 100N K X7R 0805 BAW SPE0035A315
<b>C525</b>	<b>1246348</b>	CECA-CH 100N K X7R 0805 BAW SPE0035A315
<b>C526</b>	<b>1246348</b>	CECA-CH 100N K X7R 0805 BAW SPE0035A315
<b>C527</b>	<b>1246348</b>	CECA-CH 100N K X7R 0805 BAW SPE0035A315
<b>C528</b>	<b>1246348</b>	CECA-CH 100N K X7R 0805 BAW SPE0035A315
<b>C601</b>	<b>1246348</b>	CECA-CH 100N K X7R 0805 BAW SPE0035A315
<b>C602</b>	<b>1246348</b>	CECA-CH 100N K X7R 0805 BAW SPE0035A315
<b>C603</b>	<b>1246348</b>	CECA-CH 100N K X7R 0805 BAW SPE0035A315
<b>C604</b>	<b>1290282</b>	ALCA 2M2 M 25V G BAW SPE0084A312RM7,5
<b>C605</b>	<b>1246348</b>	CECA-CH 100N K X7R 0805 BAW SPE0035A315
<b>C606</b>	<b>1246348</b>	CECA-CH 100N K X7R 0805 BAW SPE0035A315
<b>C607</b>	<b>1253360</b>	ALCA 56U M 2000/105 16V NCC SXE-VB F0
<b>C609</b>	<b>1246348</b>	CECA-CH 100N K X7R 0805 BAW SPE0035A315
<b>C610</b>	<b>1253360</b>	ALCA 56U M 2000/105 16V NCC SXE-VB F0
<b>C611</b>	<b>1234536</b>	CECA-CH 100P J NP0 0603 BAW SPE0030A315
<b>C612</b>	<b>1249150</b>	ALCA 22U M 16V BAW SPE0067A312-RM2,5
<b>C613</b>	<b>1246348</b>	CECA-CH 100N K X7R 0805 BAW SPE0035A315
<b>C614</b>	<b>1119125</b>	CECA-CH 10N K X7R 0805 BAW SPE0015A315
<b>C616</b>	<b>1119125</b>	CECA-CH 10N K X7R 0805 BAW SPE0015A315
<b>C617</b>	<b>1073516</b>	CECA-CH 150P J NP0 0805 BAW SPE0003A315
<b>C618</b>	<b>1119125</b>	CECA-CH 10N K X7R 0805 BAW SPE0015A315
<b>C619</b>	<b>1119125</b>	CECA-CH 10N K X7R 0805 BAW SPE0015A315
<b>C620</b>	<b>1119125</b>	CECA-CH 10N K X7R 0805 BAW SPE0015A315
<b>C621</b>	<b>1119125</b>	CECA-CH 10N K X7R 0805 BAW SPE0015A315
<b>C622</b>	<b>1229974</b>	ALCA 100U M 25V I G BAW SPE0108 RM2,5
<b>C623</b>	<b>1119125</b>	CECA-CH 10N K X7R 0805 BAW SPE0015A315
<b>C626</b>	<b>1119125</b>	CECA-CH 10N K X7R 0805 BAW SPE0015A315
<b>C627</b>	<b>1119125</b>	CECA-CH 10N K X7R 0805 BAW SPE0015A315
<b>C628</b>	<b>1246348</b>	CECA-CH 100N K X7R 0805 BAW SPE0035A315
<b>C629</b>	<b>1119117</b>	CECA-CH 10N J X7R 0805 BAW SPE0014A315
<b>C702</b>	<b>1281437</b>	FOKO 100N J 63V G BAW SPE0015A314 RM5
<b>C704</b>	<b>1258877</b>	ALCA 4U7 M 50V G BAW SPE0049A31 RM2,5
<b>C705</b>	<b>1281283</b>	FOKO 15N J 63V G BAW SPE0010A314 RM5
<b>C706</b>	<b>1275992</b>	CECA-CH 330P J NP0 0603 BAW SPE0030A315
<b>C707</b>	<b>1275992</b>	CECA-CH 330P J NP0 0603 BAW SPE0030A315
<b>C712</b>	<b>1281437</b>	FOKO 100N J 63V G BAW SPE0015A314 RM5
<b>C714</b>	<b>1258877</b>	ALCA 4U7 M 50V G BAW SPE0049A31 RM2,5

C715	1281283	FOKO 15N J 63V G BAW SPE0010A314 RM5
C716	1275992	CECA-CH 330P J NP0 0603 BAW SPE0030A315
C717	1275992	CECA-CH 330P J NP0 0603 BAW SPE0030A315
C720	1249150	ALCA 22U M 16V BAW SPE0067A312-RM2,5
C721	1252585	CECA-CH 470N J X5R 1206 16V MUR GRM42-6
C722	1166751	CECA-CH 4N7 K X7R 0805 BAW SPE0015A315
C723	1246348	CECA-CH 100N K X7R 0805 BAW SPE0035A315
C724	1246348	CECA-CH 100N K X7R 0805 BAW SPE0035A315
C725	1172085	ALCA 100U M 16V G BAW SPE0063A3 RM2,5
C780	1246348	CECA-CH 100N K X7R 0805 BAW SPE0035A315
C781	1258877	ALCA 4U7 M 50V G BAW SPE0049A31 RM2,5
C782	1246348	CECA-CH 100N K X7R 0805 BAW SPE0035A315
C783	1171984	ALCA 10U M 35V G BAW SPE0053A31 RM2,5
C784	1246348	CECA-CH 100N K X7R 0805 BAW SPE0035A315
C785	1223968	CECA-CH 33P J NP0 0603 BAW SPE0030A315
C786	1119125	CECA-CH 10N K X7R 0805 BAW SPE0015A315
C788	1246348	CECA-CH 100N K X7R 0805 BAW SPE0035A315
C789	1246348	CECA-CH 100N K X7R 0805 BAW SPE0035A315
C790	1223951	CECA-CH 22P J NP0 0603 BAW SPE0030A315
C791	1223951	CECA-CH 22P J NP0 0603 BAW SPE0030A315
C792	1233971	CECA-CH 10P J NP0 0603 BAW SPE0030A315
C793	1233971	CECA-CH 10P J NP0 0603 BAW SPE0030A315
C794	1233971	CECA-CH 10P J NP0 0603 BAW SPE0030A315
C795	1233971	CECA-CH 10P J NP0 0603 BAW SPE0030A315
C796	1233971	CECA-CH 10P J NP0 0603 BAW SPE0030A315
C797	1233971	CECA-CH 10P J NP0 0603 BAW SPE0030A315
C798	1234536	CECA-CH 100P J NP0 0603 BAW SPE0030A315
C799	1173324	CECA-CH 1N J NP0 0805 BAW SPE0003A315
C801	1258907	ALKO-CH 1U M 50V I G BAW SPE0161A312
C802	1171895	ALCA 2U2 M 50V G BAW SPE0044A3 RM2,5
C803	1258907	ALKO-CH 1U M 50V I G BAW SPE0161A312
C805	1113259	CECA-CH 1N K X7R 1206 BAW SPE0017A315
C806	1234536	CECA-CH 100P J NP0 0603 BAW SPE0030A315
C807	1234536	CECA-CH 100P J NP0 0603 BAW SPE0030A315
C808	1234536	CECA-CH 100P J NP0 0603 BAW SPE0030A315
C809	1234536	CECA-CH 100P J NP0 0603 BAW SPE0030A315
C810	1234536	CECA-CH 100P J NP0 0603 BAW SPE0030A315
C811	1234536	CECA-CH 100P J NP0 0603 BAW SPE0030A315
C812	1234536	CECA-CH 100P J NP0 0603 BAW SPE0030A315
C813	1234536	CECA-CH 100P J NP0 0603 BAW SPE0030A315
C814	1234536	CECA-CH 100P J NP0 0603 BAW SPE0030A315
C815	1234536	CECA-CH 100P J NP0 0603 BAW SPE0030A315
C816	1234536	CECA-CH 100P J NP0 0603 BAW SPE0030A315
C817	1234536	CECA-CH 100P J NP0 0603 BAW SPE0030A315
C818	1234536	CECA-CH 100P J NP0 0603 BAW SPE0030A315
C819	1234536	CECA-CH 100P J NP0 0603 BAW SPE0030A315
C820	1234536	CECA-CH 100P J NP0 0603 BAW SPE0030A315

<b>C821</b>	<b>1229974</b>	ALCA 100U M 25V I G BAW SPE0108 RM2,5
<b>C850</b>	<b>1182943</b>	CECA-CH 47N K X7R 0805 BAW SPE0015A315
<b>C851</b>	<b>1246348</b>	CECA-CH 100N K X7R 0805 BAW SPE0035A315
<b>C852</b>	<b>1119125</b>	CECA-CH 10N K X7R 0805 BAW SPE0015A315
<b>C854</b>	<b>1246348</b>	CECA-CH 100N K X7R 0805 BAW SPE0035A315
<b>C856</b>	<b>1246348</b>	CECA-CH 100N K X7R 0805 BAW SPE0035A315
<b>C857</b>	<b>1246348</b>	CECA-CH 100N K X7R 0805 BAW SPE0035A315
<b>C908</b>	<b>1223951</b>	CECA-CH 22P J NP0 0603 BAW SPE0030A315
<b>C909</b>	<b>1238787</b>	CECA-CH 5P6 J NP0 0603 BAW SPE0030A315
<b>C919</b>	<b>1246348</b>	CECA-CH 100N K X7R 0805 BAW SPE0035A315
<b>C928</b>	<b>1246348</b>	CECA-CH 100N K X7R 0805 BAW SPE0035A315
<b>C929</b>	<b>1246348</b>	CECA-CH 100N K X7R 0805 BAW SPE0035A315
<b>C939</b>	<b>1246348</b>	CECA-CH 100N K X7R 0805 BAW SPE0035A315
<b>C949</b>	<b>1246348</b>	CECA-CH 100N K X7R 0805 BAW SPE0035A315
<b>C958</b>	<b>1246348</b>	CECA-CH 100N K X7R 0805 BAW SPE0035A315
<b>C968</b>	<b>1246348</b>	CECA-CH 100N K X7R 0805 BAW SPE0035A315
<b>C969</b>	<b>1246348</b>	CECA-CH 100N K X7R 0805 BAW SPE0035A315
<b>C980</b>	<b>1246348</b>	CECA-CH 100N K X7R 0805 BAW SPE0035A315
<b>C981</b>	<b>1246348</b>	CECA-CH 100N K X7R 0805 BAW SPE0035A315
<b>CT151</b>	<b>1279750</b>	TRICA-CH 3P/10 NPO 100V MUR TZBX4Z100AA1
<b>D101</b>	<b>1156128</b>	INDUCTOR-CH G MUR BLM21B050S
<b>D102</b>	<b>1178237</b>	CHOKE-CH 2,2UH K G SIE B82422-A1222-K
<b>D152</b>	<b>1246811</b>	CHOKE-CH 47UH K G SIE B82432-A1473-K
<b>D1801</b>	<b>1227221</b>	INDUCTOR-CH G MUR BLM11A221S
<b>D1802</b>	<b>1227221</b>	INDUCTOR-CH G MUR BLM11A221S
<b>D301</b>	<b>1237691</b>	CHOKE-CH 5,6UH K G SIE B82422-A1562-K
<b>D302</b>	<b>1237691</b>	CHOKE-CH 5,6UH K G SIE B82422-A1562-K
<b>D472</b>	<b>1237705</b>	INDUCTOR-CH G MUR BLM21A601S
<b>D601</b>	<b>1244922</b>	CHOKE,BATT.- 200UH VOG 5730409900
<b>D602</b>	<b>1237705</b>	INDUCTOR-CH G MUR BLM21A601S
<b>D603</b>	<b>1237705</b>	INDUCTOR-CH G MUR BLM21A601S
<b>D604</b>	<b>1237705</b>	INDUCTOR-CH G MUR BLM21A601S
<b>D780</b>	<b>1237705</b>	INDUCTOR-CH G MUR BLM21A601S
<b>D781</b>	<b>1000950</b>	CHOKE-CH 47UH K G SIE B82422-A1473-K
<b>D901</b>	<b>1237705</b>	INDUCTOR-CH G MUR BLM21A601S
<b>D909</b>	<b>1237705</b>	INDUCTOR-CH G MUR BLM21A601S
<b>D920</b>	<b>1237705</b>	INDUCTOR-CH G MUR BLM21A601S
<b>D930</b>	<b>1237705</b>	INDUCTOR-CH G MUR BLM21A601S
<b>D980</b>	<b>1237705</b>	INDUCTOR-CH G MUR BLM21A601S
<b>DI101</b>	<b>1183710</b>	DIODE-CH BAW BB814 GRPP-1/2 G SPE0043A30
<b>DI102</b>	<b>1183710</b>	DIODE-CH BAW BB814 GRPP-1/2 G SPE0043A30
<b>DI103</b>	<b>1183710</b>	DIODE-CH BAW BB814 GRPP-1/2 G SPE0043A30
<b>DI104</b>	<b>1227017</b>	DIODE-CH TEL S392D G
<b>DI1801</b>	<b>1252143</b>	DIODE-CH PHI BAS216 G
<b>DI1802</b>	<b>1252143</b>	DIODE-CH PHI BAS216 G
<b>DI1803</b>	<b>1252143</b>	DIODE-CH PHI BAS216 G
<b>DI231</b>	<b>1252143</b>	DIODE-CH PHI BAS216 G

DI251	1252143	DIODE-CH PHI BAS216 G
DI301	1229788	DIODE-CH BAW BA779-2/1SV234/DPA05 G SPE
DI302	1252143	DIODE-CH PHI BAS216 G
DI306	1073656	DIODE-CH BAW BAV99 SHIP-TO-ST.G SPE0030A
DI311	1252143	DIODE-CH PHI BAS216 G
DI321	1183710	DIODE-CH BAW BB814 GRPP-1/2 G SPE0043A30
DI501	1252143	DIODE-CH PHI BAS216 G
DI601	1179683	DIODE-CH GIC S3B G
DI603	1118757	DIODE-CH BAW 6V8 5% SHIP-TO-STOCK G SPE0
DI604	1252143	DIODE-CH PHI BAS216 G
DI605	1252143	DIODE-CH PHI BAS216 G
DI606	1252143	DIODE-CH PHI BAS216 G
DI607	1252143	DIODE-CH PHI BAS216 G
DI784	1148842	DIODE-CH BAW 4V7 SHIP-TO-STOCK G SPE0022
DI785	0672475	DIODE-CH BAW BAV70 SHIP-TO-STOCK G SPE00
DI801	1043587	DIODE-CH BAW BAW56 SHIP-TO ST.G SPE0028A
DI850	1252143	DIODE-CH PHI BAS216 G
DI851	1043587	DIODE-CH BAW BAW56 SHIP-TO ST.G SPE0028A
DI852	1252143	DIODE-CH PHI BAS216 G
DI853	1252143	DIODE-CH PHI BAS216 G
DI854	1252143	DIODE-CH PHI BAS216 G
DI855	1252143	DIODE-CH PHI BAS216 G
DI856	1076353	DIODE-CH BAW 5V6 2% SHIP-TO-STOCK G SPE0
DI857	1252143	DIODE-CH PHI BAS216 G
F102	1270486	FILTER, FMV- 100MHZ TOK/P666SNS-286IB-BR
F104	1253395	FILTER, FMZ- 100MHZ TOK/P666SNS-256Z-RT
F105	1284827	FILTER,AMO/FMO-120MHZ TOK VAG,VWA,GEA
F1301	1284835	FILTER,WBV- TOK XXXX VAG,VWA,GEA
F1302	1284835	FILTER,WBV- TOK XXXX VAG,VWA,GEA
F201	1270291	FILTER, FM-ZF- 10,7MHZ TOK C805PN-0642UH
F204	1291637	FILTER,FM-PHASENKR.-10,7MHZ MSI RA7008-2
F321	1294784	FILTER,AM-WBO-160MHZ SGM 970954341
F341	1246003	FILTER, AM-ZF 450KHZ TOK C805LN-0586N-SW
F342	1258028	FILTER,AM-ZF1- 10,7MHZ TOK C805PN-0640-U
F343	1275984	FILTER, AM-PH 450KHZ SGM5CG-960954187-SW
IC151	1223526	IC-CH TEL U4283BM-BFS G
IC1801	1254790	IC-DIE SEP SED1530 DOA
IC1802	1299662	IC-CH BAW NEC UPD 754302-3200-04/98 3200
IC201	1220357	IC-CH SIE TDA4320X G
IC231	1239139	IC-CH TEL U4275B
IC301	1254308	IC-CH SIE TDA4362-P-MQFP-44-2 G
IC361	1283669	IC-CH HIT HA12181FP FP-16DA
IC421	1247921	IC-CH SGT TDA7340TR G
IC471	1250477	IC-CH CRY CS4331-BSR G
IC472	1250485	IC-CH CRY CS5331A-BSR G
IC501	1271180	IC PHI TDA8569Q /N1
IC601	1240481	IC-CH SIE BSP452 G



IC602	1258397	IC-CH SIE TLE4276GV P-TO220-5-122
IC603	1246674	IC-CH SIE TLE4269GL P-DSO20-6 G
IC604	1286242	IC-CH TOS TC7S14F G
IC701	1246607	IC-CH SOY CXA2510Q
IC702	1245996	IC-CH PHI 74HC03D,653 G
IC780	1239147	IC-CH AUM OCC8001-01
IC781	1249101	IC-CH TOS TC7S08F G
IC850	1225162	IC-CH AMC 24LC04BTI (LEER)
IC850	1332211	IC-CH AMC 24LC04BTI (PROG)
IC901	1245058	IC-CH SIE SAF-C515C-8R P-MQFP-80
IC902	1185616	IC-CH PHI PC74HC573D G
IC903	1230964	IC-SOCKET+C469 32POL STANDARD BAW SPE000
IC903	1312960	IC BAW 27C1001/27C010 3302 27/98 3302
IC903	1243454	IC BAW 27C1001/27C010 SPE0022A308
IC904	1305859	IC-CH SAY LC3564BM-10 TE-L
IC905	1185616	IC-CH PHI PC74HC573D G
IC906	1185616	IC-CH PHI PC74HC573D G
IC909	0588121	IC-CH PHI PC74HC02D G
IC980	1012071	IC-CH BAW 74HC4094 G SPE0005A308
IC981	1012071	IC-CH BAW 74HC4094 G SPE0005A308
KF201	1185411	KERA-FIL. MUR SFE 10,7MS2A10K1-A
KF202	1185411	KERA-FIL. MUR SFE 10,7MS2A10K1-A
KF203	1185411	KERA-FIL. MUR SFE 10,7MS2A10K1-A
KF204	1185411	KERA-FIL. MUR SFE 10,7MS2A10K1-A
KF341	1253808	KERA-FILTER MUR CFWS 450 D
KF343	1237721	KERA-FILTER MUR CFWS 450 HT
L101	1235915	COIL+C484 14WDG 4,0 0,4 1088
L312	1252615	CHOKE-CH 220UH K G SIE B82432-S1224-K
L313	1252615	CHOKE-CH 220UH K G SIE B82432-S1224-K
L322	1249398	CHOKE-CH 2,2MH K G MSI C6-R/3333
L380	1000942	CHOKE-CH 10UH K G SIE B82422-A1103-K
LD1801	1285122	LED-CH SIE LYT670E9008 K2/U Q62703-Q4228
LD1802	1285122	LED-CH SIE LYT670E9008 K2/U Q62703-Q4228
LD1803	1285084	LED-CH SIE LYA676E9349 P2/U Q62703-Q4232
LD1804	1285084	LED-CH SIE LYA676E9349 P2/U Q62703-Q4232
LD1805	1285084	LED-CH SIE LYA676E9349 P2/U Q62703-Q4232
LD1806	1285084	LED-CH SIE LYA676E9349 P2/U Q62703-Q4232
LD1807	1285084	LED-CH SIE LYA676E9349 P2/U Q62703-Q4232
LD1808	1285084	LED-CH SIE LYA676E9349 P2/U Q62703-Q4232
LD1809	1285084	LED-CH SIE LYA676E9349 P2/U Q62703-Q4232
LD1810	1285084	LED-CH SIE LYA676E9349 P2/U Q62703-Q4232
LD1811	1285084	LED-CH SIE LYA676E9349 P2/U Q62703-Q4232
LD1812	1285084	LED-CH SIE LYA676E9349 P2/U Q62703-Q4232
LD1813	1285084	LED-CH SIE LYA676E9349 P2/U Q62703-Q4232
LD1814	1285084	LED-CH SIE LYA676E9349 P2/U Q62703-Q4232
LD1831	1285122	LED-CH SIE LYT670E9008 K2/U Q62703-Q4228
LD1832	1285122	LED-CH SIE LYT670E9008 K2/U Q62703-Q4228

LD1833	1285122	LED-CH SIE LYT670E9008 K2/U Q62703-Q4228
LD1834	1285122	LED-CH SIE LYT670E9008 K2/U Q62703-Q4228
LD1835	1285122	LED-CH SIE LYT670E9008 K2/U Q62703-Q4228
LD1836	1285122	LED-CH SIE LYT670E9008 K2/U Q62703-Q4228
LD1837	1285122	LED-CH SIE LYT670E9008 K2/U Q62703-Q4228
LD1838	1285122	LED-CH SIE LYT670E9008 K2/U Q62703-Q4228
LD1839	1285122	LED-CH SIE LYT670E9008 K2/U Q62703-Q4228
LD1840	1285122	LED-CH SIE LYT670E9008 K2/U Q62703-Q4228
LD1841	1285122	LED-CH SIE LYT670E9008 K2/U Q62703-Q4228
LD1842	1285122	LED-CH SIE LYT670E9008 K2/U Q62703-Q4228
LD1843	1285122	LED-CH SIE LYT670E9008 K2/U Q62703-Q4228
LD1844	1285122	LED-CH SIE LYT670E9008 K2/U Q62703-Q4228
LD1845	1285122	LED-CH SIE LYT670E9008 K2/U Q62703-Q4228
LD1846	1285122	LED-CH SIE LYT670E9008 K2/U Q62703-Q4228
LD1847	1285122	LED-CH SIE LYT670E9008 K2/U Q62703-Q4228
LD1848	1285122	LED-CH SIE LYT670E9008 K2/U Q62703-Q4228
LD1849	1285122	LED-CH SIE LYT670E9008 K2/U Q62703-Q4228
LD1850	1285122	LED-CH SIE LYT670E9008 K2/U Q62703-Q4228
LD1851	1285122	LED-CH SIE LYT670E9008 K2/U Q62703-Q4228
LD1852	1285122	LED-CH SIE LYT670E9008 K2/U Q62703-Q4228
LD1853	1285122	LED-CH SIE LYT670E9008 K2/U Q62703-Q4228
LD1854	1285122	LED-CH SIE LYT670E9008 K2/U Q62703-Q4228
LD1855	1285084	LED-CH SIE LYA676E9349 P2/U Q62703-Q4232
OT780	1248121	TRANSCEIVER AMP 966893 D2BOPTICAL-HEADER
P251	1245090	TRIRES-CH 5K LIN 0,10W MUR RVG3A08-
P701	1246615	TRIRES-CH 10K 0,10W MUR POZ3AN1-103N-T00
P702	1246615	TRIRES-CH 10K 0,10W MUR POZ3AN1-103N-T00
Q151	1280279	QUARTZ 10,250 MHZ G NDK AT-51 M.ISOPL.
Q1801	1171501	KERA-RESON-CH MUR CSAC 4,19 MGCA G
Q231	1245112	KERA-RESON-CH MUR CSBF456JF211 G
Q451	1245112	KERA-RESON-CH MUR CSBF456JF211 G
Q780	1283464	QUARTZ 16,9344 MHZ G NDK AT-51 M.ISOPL.
Q901	1276964	QUARTZ 10,000 MHZ NDK AT-51 M. ISO-PLÄTT.
QF342	1287801	QUARTZ-FILTER-CH 10,700 MHZ NDK 10U 20A
R101	1223666	RES-CH 470R J 0603 BAW SPE0025A323
R102	1223798	RES-CH 47K J 0603 BAW SPE0026A323
R103	1223593	RES-CH 39R J 0603 BAW SPE0025A323
R104	1159100	RES-CH 100R J 0805 G BAW SPE0020A323
R105	1223844	RES-CH 330K J 0603 BAW SPE0026A323
R106	1223801	RES-CH 56K J 0603 BAW SPE0026A323
R112	1159100	RES-CH 100R J 0805 G BAW SPE0020A323
R121	1223811	RES-CH 68K J 0603 BAW SPE0026A323
R122	1223811	RES-CH 68K J 0603 BAW SPE0026A323
R123	1223704	RES-CH 2K2 J 0603 BAW SPE0026A323
R125	1223771	RES-CH 10K J 0603 BAW SPE0026A323
R130	1223747	RES-CH 5K6 J 0603 BAW SPE0026A323
R1301	1227661	RES-CH 0R 0603 BAW SPE0025A323

R1302	1223836	RES-CH 100K J 0603 BAW SPE0026A323
R1303	1235451	RES-CH 82R J 0603 G BAW SPE0025A323
R131	1223771	RES-CH 10K J 0603 BAW SPE0026A323
R1310	1223550	RES-CH 10R J 0603 BAW SPE0025A323
R1331	1226071	RES-CH 1K5 J 0603 G BAW SPE0026A323
R1332	1226071	RES-CH 1K5 J 0603 G BAW SPE0026A323
R1333	1223771	RES-CH 10K J 0603 BAW SPE0026A323
R1334	1254332	RES-CH 47K F 0603 G BAW SPE0028A323
R1335	1223836	RES-CH 100K J 0603 BAW SPE0026A323
R1336	1223682	RES-CH 1K J 0603 BAW SPE0026A323
R1337	1223666	RES-CH 470R J 0603 BAW SPE0025A323
R151	1223682	RES-CH 1K J 0603 BAW SPE0026A323
R152	1223682	RES-CH 1K J 0603 BAW SPE0026A323
R153	1223771	RES-CH 10K J 0603 BAW SPE0026A323
R154	1223771	RES-CH 10K J 0603 BAW SPE0026A323
R155	1223771	RES-CH 10K J 0603 BAW SPE0026A323
R156	1223771	RES-CH 10K J 0603 BAW SPE0026A323
R157	1254421	RES-CH 12K F 0603 G BAW SPE0028A323
R160	1229583	RES-CH 12K J 0603 G TK200 BAW SPE0026A
R161	1229583	RES-CH 12K J 0603 G TK200 BAW SPE0026A
R163	1223781	RES-CH 33K J 0603 BAW SPE0026A323
R165	1223585	RES-CH 27R J 0603 BAW SPE0025A323
R166	1223704	RES-CH 2K2 J 0603 BAW SPE0026A323
R168	1229605	RES-CH 39K J 0603 G TK200 BAW SPE0026A
R169	1223798	RES-CH 47K J 0603 BAW SPE0026A323
R175	1223798	RES-CH 47K J 0603 BAW SPE0026A323
R1801	1108980	RES-CH 560R J 1206 G BAW SPE0010A323
R1802	1109065	RES-CH 1K2 J 1206 G BAW SPE0011A323
R1803	1109065	RES-CH 1K2 J 1206 G BAW SPE0011A323
R1804	1109065	RES-CH 1K2 J 1206 G BAW SPE0011A323
R1805	1109065	RES-CH 1K2 J 1206 G BAW SPE0011A323
R1806	1108921	RES-CH 270R J 1206 G BAW SPE0010A323
R1807	1108921	RES-CH 270R J 1206 G BAW SPE0010A323
R1808	1108921	RES-CH 270R J 1206 G BAW SPE0010A323
R1809	1108956	RES-CH 390R J 1206 G BAW SPE0010A323
R1810	1108956	RES-CH 390R J 1206 G BAW SPE0010A323
R1811	1109006	RES-CH 680R J 1206 G BAW SPE0010A323
R1812	1109006	RES-CH 680R J 1206 G BAW SPE0010A323
R1813	1109006	RES-CH 680R J 1206 G BAW SPE0010A323
R1814	1109006	RES-CH 680R J 1206 G BAW SPE0010A323
R1816	1226071	RES-CH 1K5 J 0603 G BAW SPE0026A323
R1817	1223682	RES-CH 1K J 0603 BAW SPE0026A323
R1821	1109049	RES-CH 1K J 1206 G BAW SPE0011A323
R1822	1109081	RES-CH 1K5 J 1206 G BAW SPE0011A323
R1823	1109081	RES-CH 1K5 J 1206 G BAW SPE0011A323
R1824	1109200	RES-CH 5K6 J 1206 G BAW SPE0011A323
R1831	1223682	RES-CH 1K J 0603 BAW SPE0026A323

R1832	1225571	RES-CH 22K J 0603 G BAW SPE0026A323
R1833	1225571	RES-CH 22K J 0603 G BAW SPE0026A323
R1836	1223836	RES-CH 100K J 0603 BAW SPE0026A323
R1837	1223887	RES-CH 1M J 0603 BAW SPE0026A323
R1838	1223887	RES-CH 1M J 0603 BAW SPE0026A323
R1841	1225936	RES-CH 100R J 0603 BAW SPE0025A323
R1842	1223798	RES-CH 47K J 0603 BAW SPE0026A323
R1843	1223836	RES-CH 100K J 0603 BAW SPE0026A323
R1844	1223836	RES-CH 100K J 0603 BAW SPE0026A323
R1845	1223887	RES-CH 1M J 0603 BAW SPE0026A323
R1846	1223836	RES-CH 100K J 0603 BAW SPE0026A323
R1847	1223836	RES-CH 100K J 0603 BAW SPE0026A323
R1848	1225571	RES-CH 22K J 0603 G BAW SPE0026A323
R1849	1225571	RES-CH 22K J 0603 G BAW SPE0026A323
R1850	1223887	RES-CH 1M J 0603 BAW SPE0026A323
R1863	1297791	RES-CH 649K F 0805 G BAW SPE0019A323
R1864	1215647	RES-CH 220K F 0805 G BAW SPE0019A323
R1865	1223836	RES-CH 100K J 0603 BAW SPE0026A323
R201	1227661	RES-CH 0R 0603 BAW SPE0025A323
R202	1223763	RES-CH 7K5 J 0603 BAW SPE0026A323
R204	1223801	RES-CH 56K J 0603 BAW SPE0026A323
R205	1223836	RES-CH 100K J 0603 BAW SPE0026A323
R206	1250531	RES-CH 200K F 0603 G BAW SPE0028A323
R207	1225571	RES-CH 22K J 0603 G BAW SPE0026A323
R208	1223623	RES-CH 220R J 0603 BAW SPE0025A323
R209	1223641	RES-CH 330R J 0603 BAW SPE0025A323
R210	1223641	RES-CH 330R J 0603 BAW SPE0025A323
R211	1235389	RES-CH 2K4 F 0603 G BAW SPE0028A323
R212	1304232	RES-CH 47R F 0603 G BAW SPE0027A323
R213	1223739	RES-CH 4K7 J 0603 BAW SPE0026A323
R214	1159011	RES-CH 10R J 0805 G BAW SPE0020A323
R216	1223682	RES-CH 1K J 0603 BAW SPE0026A323
R217	1223879	RES-CH 820K J 0603 BAW SPE0026A323
R218	1225561	RES-CH 15K J 0603 G BAW SPE0026A323
R219	1223811	RES-CH 68K J 0603 BAW SPE0026A323
R220	1223798	RES-CH 47K J 0603 BAW SPE0026A323
R226	1276093	RES-CH 130R J 0603 G BAW SPE0025A323
R228	1223623	RES-CH 220R J 0603 BAW SPE0025A323
R229	1223623	RES-CH 220R J 0603 BAW SPE0025A323
R231	1223577	RES-CH 22R J 0603 BAW SPE0025A323
R232	1225561	RES-CH 15K J 0603 G BAW SPE0026A323
R236	1226061	RES-CH 3K9 J 0603 G BAW SPE0026A323
R237	1223798	RES-CH 47K J 0603 BAW SPE0026A323
R238	1223887	RES-CH 1M J 0603 BAW SPE0026A323
R239	1223887	RES-CH 1M J 0603 BAW SPE0026A323
R240	1223887	RES-CH 1M J 0603 BAW SPE0026A323
R241	1223887	RES-CH 1M J 0603 BAW SPE0026A323

R242	1223771	RES-CH 10K J 0603 BAW SPE0026A323
R243	1223771	RES-CH 10K J 0603 BAW SPE0026A323
R246	1225571	RES-CH 22K J 0603 G BAW SPE0026A323
R247	1225571	RES-CH 22K J 0603 G BAW SPE0026A323
R251	1223690	RES-CH 1K2 J 0603 BAW SPE0026A323
R252	1223712	RES-CH 2K7 J 0603 BAW SPE0026A323
R253	1271202	RES-CH 220K F 0603 G BAW SPE0028A323
R254	1223828	RES-CH 82K J 0603 BAW SPE0026A323
R255	1223836	RES-CH 100K J 0603 BAW SPE0026A323
R257	1227661	RES-CH 0R 0603 BAW SPE0025A323
R258	1223747	RES-CH 5K6 J 0603 BAW SPE0026A323
R261	1223739	RES-CH 4K7 J 0603 BAW SPE0026A323
R262	1227661	RES-CH 0R 0603 BAW SPE0025A323
R301	1223860	RES-CH 470K J 0603 BAW SPE0026A323
R302	1159062	RES-CH 47R J 0805 G BAW SPE0020A323
R309	1250541	RES-CH 2K J 0603 G BAW SPE0026A323
R310	1223550	RES-CH 10R J 0603 BAW SPE0025A323
R311	1223771	RES-CH 10K J 0603 BAW SPE0026A323
R313	1223674	RES-CH 560R J 0603 BAW SPE0025A323
R314	1223704	RES-CH 2K2 J 0603 BAW SPE0026A323
R319	1223704	RES-CH 2K2 J 0603 BAW SPE0026A323
R320	1244566	RES-CH 120K J 0603 G BAW SPE0026A323
R321	1223801	RES-CH 56K J 0603 BAW SPE0026A323
R322	1223747	RES-CH 5K6 J 0603 BAW SPE0026A323
R323	1223771	RES-CH 10K J 0603 BAW SPE0026A323
R324	1223550	RES-CH 10R J 0603 BAW SPE0025A323
R326	1223739	RES-CH 4K7 J 0603 BAW SPE0026A323
R327	1223801	RES-CH 56K J 0603 BAW SPE0026A323
R330	1223550	RES-CH 10R J 0603 BAW SPE0025A323
R333	1223658	RES-CH 390R J 0603 BAW SPE0025A323
R335	1223666	RES-CH 470R J 0603 BAW SPE0025A323
R340	1223550	RES-CH 10R J 0603 BAW SPE0025A323
R341	1227661	RES-CH 0R 0603 BAW SPE0025A323
R343	1227661	RES-CH 0R 0603 BAW SPE0025A323
R345	1235397	RES-CH 3K3 F 0603 G BAW SPE0028A323
R347	1223811	RES-CH 68K J 0603 BAW SPE0026A323
R348	1244566	RES-CH 120K J 0603 G BAW SPE0026A323
R349	1254448	RES-CH 27K F 0603 G BAW SPE0028A323
R350	1254431	RES-CH 20K F 0603 G BAW SPE0028A323
R351	1254456	RES-CH 82K F 0603 G BAW SPE0028A323
R352	1254421	RES-CH 12K F 0603 G BAW SPE0028A323
R353	1223704	RES-CH 2K2 J 0603 BAW SPE0026A323
R354	1254464	RES-CH 390K F 0603 G BAW SPE0028A323
R355	1229583	RES-CH 12K J 0603 G TK200 BAW SPE0026A
R360	1223836	RES-CH 100K J 0603 BAW SPE0026A323
R361	1254421	RES-CH 12K F 0603 G BAW SPE0028A323
R362	1223739	RES-CH 4K7 J 0603 BAW SPE0026A323

R363	1282662	RES-CH 180K F 0603 G BAW SPE0028A323
R364	1223781	RES-CH 33K J 0603 BAW SPE0026A323
R365	1254332	RES-CH 47K F 0603 G BAW SPE0028A323
R378	1223666	RES-CH 470R J 0603 BAW SPE0025A323
R422	1223747	RES-CH 5K6 J 0603 BAW SPE0026A323
R423	1223747	RES-CH 5K6 J 0603 BAW SPE0026A323
R424	1254421	RES-CH 12K F 0603 G BAW SPE0028A323
R425	1223844	RES-CH 330K J 0603 BAW SPE0026A323
R426	1226061	RES-CH 3K9 J 0603 G BAW SPE0026A323
R427	1243845	RES-CH 8K2 J 0603 G BAW SPE0026A323
R428	1226061	RES-CH 3K9 J 0603 G BAW SPE0026A323
R429	1243845	RES-CH 8K2 J 0603 G BAW SPE0026A323
R451	1246623	RES-CH 430K F 0603 G BAW SPE0028A323
R452	1245082	RES-CH 27K J 0603 G BAW SPE0026A323
R453	1223798	RES-CH 47K J 0603 BAW SPE0026A323
R454	1225561	RES-CH 15K J 0603 G BAW SPE0026A323
R455	1223739	RES-CH 4K7 J 0603 BAW SPE0026A323
R456	1223720	RES-CH 3K3 J 0603 BAW SPE0026A323
R471	1223801	RES-CH 56K J 0603 BAW SPE0026A323
R472	1234196	RES-CH 2K4 J 0603 G BAW SPE0026A323
R473	1234196	RES-CH 2K4 J 0603 G BAW SPE0026A323
R474	1223801	RES-CH 56K J 0603 BAW SPE0026A323
R483	1223615	RES-CH 150R J 0603 BAW SPE0025A323
R484	1223615	RES-CH 150R J 0603 BAW SPE0025A323
R501	1223771	RES-CH 10K J 0603 BAW SPE0026A323
R601	1159437	RES-CH 10K J 0805 G BAW SPE0021A323
R602	1215647	RES-CH 220K F 0805 G BAW SPE0019A323
R603	1159569	RES-CH 47K F 0805 G BAW SPE0018A323
R604	1258478	RES-CH 15K F 0603 BAW SPE0028A323
R605	1258486	RES-CH 39K F 0603 BAW SPE0028A323
R608	1159208	RES-CH 270R J 0805 G BAW SPE0020A323
R609	1159100	RES-CH 100R J 0805 G BAW SPE0020A323
R610	1159267	RES-CH 470R J 0805 G BAW SPE0020A323
R612	1159437	RES-CH 10K J 0805 G BAW SPE0021A323
R613	1159437	RES-CH 10K J 0805 G BAW SPE0021A323
R614	1159593	RES-CH 68K J 0805 G BAW SPE0021A323
R615	1258478	RES-CH 15K F 0603 BAW SPE0028A323
R616	1159593	RES-CH 68K J 0805 G BAW SPE0021A323
R617	1258478	RES-CH 15K F 0603 BAW SPE0028A323
R618	1223771	RES-CH 10K J 0603 BAW SPE0026A323
R619	1223771	RES-CH 10K J 0603 BAW SPE0026A323
R620	1223771	RES-CH 10K J 0603 BAW SPE0026A323
R621	1223771	RES-CH 10K J 0603 BAW SPE0026A323
R623	1227661	RES-CH 0R 0603 BAW SPE0025A323
R624	1159501	RES-CH 22K J 0805 G BAW SPE0021A323
R625	1223771	RES-CH 10K J 0603 BAW SPE0026A323
R626	1223811	RES-CH 68K J 0603 BAW SPE0026A323

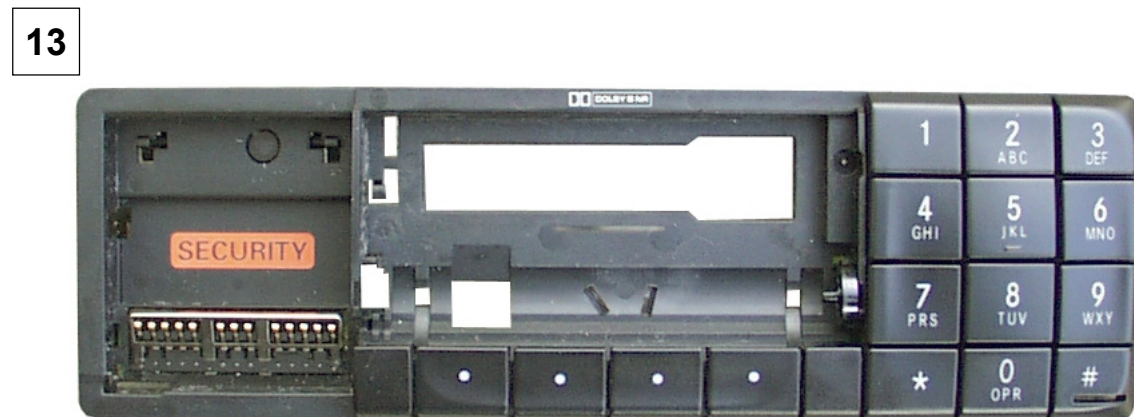
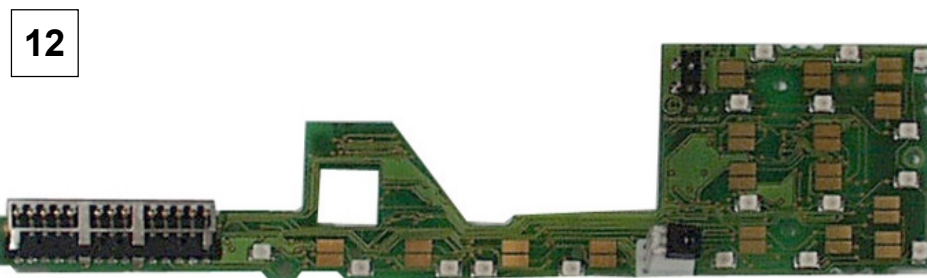
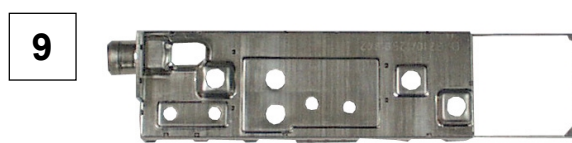
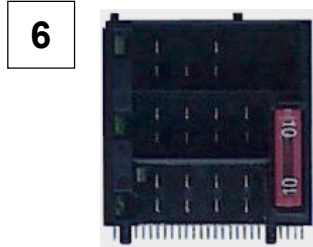
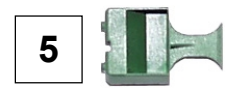
R631	1108761	RES-CH 15R J 1206 G BAW SPE0010A323
R632	1108761	RES-CH 15R J 1206 G BAW SPE0010A323
R633	1108761	RES-CH 15R J 1206 G BAW SPE0010A323
R701	1229575	RES-CH 11K J 0603 G TK200 BAW SPE0026A
R702	1276001	RES-CH 16K J 0603 G BAW SPE0026A323
R703	1241281	RES-CH 180K J 0603 BAW SPE0026A323
R704	1225936	RES-CH 100R J 0603 BAW SPE0025A323
R711	1229575	RES-CH 11K J 0603 G TK200 BAW SPE0026A
R712	1276001	RES-CH 16K J 0603 G BAW SPE0026A323
R713	1241281	RES-CH 180K J 0603 BAW SPE0026A323
R714	1225936	RES-CH 100R J 0603 BAW SPE0025A323
R720	1248197	RES-CH 18K F 0603 G BAW SPE0028A323
R721	1226061	RES-CH 3K9 J 0603 G BAW SPE0026A323
R722	1223811	RES-CH 68K J 0603 BAW SPE0026A323
R723	1223860	RES-CH 470K J 0603 BAW SPE0026A323
R725	1223781	RES-CH 33K J 0603 BAW SPE0026A323
R726	1223781	RES-CH 33K J 0603 BAW SPE0026A323
R727	1254332	RES-CH 47K F 0603 G BAW SPE0028A323
R728	1223550	RES-CH 10R J 0603 BAW SPE0025A323
R729	1225571	RES-CH 22K J 0603 G BAW SPE0026A323
R730	1225571	RES-CH 22K J 0603 G BAW SPE0026A323
R731	1227661	RES-CH 0R 0603 BAW SPE0025A323
R780	1163264	RES-CH 1R5 J 0805 G BAW SPE0020A323
R781	1223844	RES-CH 330K J 0603 BAW SPE0026A323
R782	1271202	RES-CH 220K F 0603 G BAW SPE0028A323
R786	1250541	RES-CH 2K J 0603 G BAW SPE0026A323
R787	1254332	RES-CH 47K F 0603 G BAW SPE0028A323
R788	1223674	RES-CH 560R J 0603 BAW SPE0025A323
R789	1223674	RES-CH 560R J 0603 BAW SPE0025A323
R790	1223674	RES-CH 560R J 0603 BAW SPE0025A323
R791	1223674	RES-CH 560R J 0603 BAW SPE0025A323
R792	1223674	RES-CH 560R J 0603 BAW SPE0025A323
R793	1254022	RES-CH 2K2 F 0603 G BAW SPE0028A323
R794	1223682	RES-CH 1K J 0603 BAW SPE0026A323
R795	1254332	RES-CH 47K F 0603 G BAW SPE0028A323
R801	1223682	RES-CH 1K J 0603 BAW SPE0026A323
R802	1229583	RES-CH 12K J 0603 G TK200 BAW SPE0026A
R803	1223720	RES-CH 3K3 J 0603 BAW SPE0026A323
R804	1223836	RES-CH 100K J 0603 BAW SPE0026A323
R805	1223798	RES-CH 47K J 0603 BAW SPE0026A323
R806	1223771	RES-CH 10K J 0603 BAW SPE0026A323
R807	1109049	RES-CH 1K J 1206 G BAW SPE0011A323
R808	1223682	RES-CH 1K J 0603 BAW SPE0026A323
R809	1223771	RES-CH 10K J 0603 BAW SPE0026A323
R810	1109049	RES-CH 1K J 1206 G BAW SPE0011A323
R811	1223682	RES-CH 1K J 0603 BAW SPE0026A323
R820	1108743	RES-CH 10R J 1206 G BAW SPE0010A323

R821	1108743	RES-CH 10R J 1206 G BAW SPE0010A323
R822	1108743	RES-CH 10R J 1206 G BAW SPE0010A323
R850	1254332	RES-CH 47K F 0603 G BAW SPE0028A323
R851	1223682	RES-CH 1K J 0603 BAW SPE0026A323
R852	1254022	RES-CH 2K2 F 0603 G BAW SPE0028A323
R853	1232975	RES-CH 680R J 0603 BAW SPE0025A323
R854	1159011	RES-CH 10R J 0805 G BAW SPE0020A323
R855	1159437	RES-CH 10K J 0805 G BAW SPE0021A323
R856	1254332	RES-CH 47K F 0603 G BAW SPE0028A323
R857	1159755	RES-CH 470K J 0805 G BAW SPE0022A323
R858	1223801	RES-CH 56K J 0603 BAW SPE0026A323
R859	1159100	RES-CH 100R J 0805 G BAW SPE0020A323
R860	1258478	RES-CH 15K F 0603 BAW SPE0028A323
R861	1254332	RES-CH 47K F 0603 G BAW SPE0028A323
R862	1223623	RES-CH 220R J 0603 BAW SPE0025A323
R863	1225571	RES-CH 22K J 0603 G BAW SPE0026A323
R864	1225571	RES-CH 22K J 0603 G BAW SPE0026A323
R865	1225571	RES-CH 22K J 0603 G BAW SPE0026A323
R866	1225571	RES-CH 22K J 0603 G BAW SPE0026A323
R868	1254332	RES-CH 47K F 0603 G BAW SPE0028A323
R869	1254332	RES-CH 47K F 0603 G BAW SPE0028A323
R900	1223682	RES-CH 1K J 0603 BAW SPE0026A323
R901	1223682	RES-CH 1K J 0603 BAW SPE0026A323
R902	1223682	RES-CH 1K J 0603 BAW SPE0026A323
R903	1223682	RES-CH 1K J 0603 BAW SPE0026A323
R904	1223682	RES-CH 1K J 0603 BAW SPE0026A323
R905	1223682	RES-CH 1K J 0603 BAW SPE0026A323
R906	1223682	RES-CH 1K J 0603 BAW SPE0026A323
R907	1223682	RES-CH 1K J 0603 BAW SPE0026A323
R908	1225936	RES-CH 100R J 0603 BAW SPE0025A323
R910	1223682	RES-CH 1K J 0603 BAW SPE0026A323
R911	1223682	RES-CH 1K J 0603 BAW SPE0026A323
R912	1223682	RES-CH 1K J 0603 BAW SPE0026A323
R913	1223682	RES-CH 1K J 0603 BAW SPE0026A323
R915	1223674	RES-CH 560R J 0603 BAW SPE0025A323
R916	1223682	RES-CH 1K J 0603 BAW SPE0026A323
R920	1223674	RES-CH 560R J 0603 BAW SPE0025A323
R921	1223682	RES-CH 1K J 0603 BAW SPE0026A323
R922	1223682	RES-CH 1K J 0603 BAW SPE0026A323
R923	1223682	RES-CH 1K J 0603 BAW SPE0026A323
R924	1223682	RES-CH 1K J 0603 BAW SPE0026A323
R925	1223682	RES-CH 1K J 0603 BAW SPE0026A323
R926	1223682	RES-CH 1K J 0603 BAW SPE0026A323
R927	1223682	RES-CH 1K J 0603 BAW SPE0026A323
R930	1223682	RES-CH 1K J 0603 BAW SPE0026A323
R931	1223682	RES-CH 1K J 0603 BAW SPE0026A323
R932	1223682	RES-CH 1K J 0603 BAW SPE0026A323



R933	1223682	RES-CH 1K J 0603 BAW SPE0026A323
R934	1223682	RES-CH 1K J 0603 BAW SPE0026A323
R935	1223682	RES-CH 1K J 0603 BAW SPE0026A323
R940	1223682	RES-CH 1K J 0603 BAW SPE0026A323
R941	1223682	RES-CH 1K J 0603 BAW SPE0026A323
R942	1223674	RES-CH 560R J 0603 BAW SPE0025A323
R943	1223682	RES-CH 1K J 0603 BAW SPE0026A323
R944	1223682	RES-CH 1K J 0603 BAW SPE0026A323
R945	1223682	RES-CH 1K J 0603 BAW SPE0026A323
R947	1223682	RES-CH 1K J 0603 BAW SPE0026A323
R950	1223682	RES-CH 1K J 0603 BAW SPE0026A323
R952	1223682	RES-CH 1K J 0603 BAW SPE0026A323
R953	1223682	RES-CH 1K J 0603 BAW SPE0026A323
R954	1223682	RES-CH 1K J 0603 BAW SPE0026A323
R955	1223682	RES-CH 1K J 0603 BAW SPE0026A323
R956	1223682	RES-CH 1K J 0603 BAW SPE0026A323
R957	1223674	RES-CH 560R J 0603 BAW SPE0025A323
R960	1223682	RES-CH 1K J 0603 BAW SPE0026A323
R962	1223682	RES-CH 1K J 0603 BAW SPE0026A323
R963	1223682	RES-CH 1K J 0603 BAW SPE0026A323
R965	1223682	RES-CH 1K J 0603 BAW SPE0026A323
R966	1223682	RES-CH 1K J 0603 BAW SPE0026A323
R967	1223682	RES-CH 1K J 0603 BAW SPE0026A323
R978	1227661	RES-CH 0R 0603 BAW SPE0025A323
R980	1254332	RES-CH 47K F 0603 G BAW SPE0028A323
R982	1254332	RES-CH 47K F 0603 G BAW SPE0028A323
R983	1254332	RES-CH 47K F 0603 G BAW SPE0028A323
R984	1254332	RES-CH 47K F 0603 G BAW SPE0028A323
R985	1223771	RES-CH 10K J 0603 BAW SPE0026A323
R986	1254332	RES-CH 47K F 0603 G BAW SPE0028A323
R987	1223836	RES-CH 100K J 0603 BAW SPE0026A323
R988	1254332	RES-CH 47K F 0603 G BAW SPE0028A323
R989	1254332	RES-CH 47K F 0603 G BAW SPE0028A323
R992	1225571	RES-CH 22K J 0603 G BAW SPE0026A323
R993	1225571	RES-CH 22K J 0603 G BAW SPE0026A323
R994	1225571	RES-CH 22K J 0603 G BAW SPE0026A323
R995	1225571	RES-CH 22K J 0603 G BAW SPE0026A323
R996	1225571	RES-CH 22K J 0603 G BAW SPE0026A323
R997	1225571	RES-CH 22K J 0603 G BAW SPE0026A323
R998	1254332	RES-CH 47K F 0603 G BAW SPE0028A323
R999	1254332	RES-CH 47K F 0603 G BAW SPE0028A323
S1804	1288407	TASTER-SMD SMK JPS 1110-3311 R G
S1831	1288784	ENCODER MAT EVQ BAD 60915B (15/30)
SP101	1031112	ARRESTER MMC DSP-201M-A21R
ST1804	1284703	CONTACT SPRING SET 3300
ST701	1158041	PIN LEDGE 19POL D&R 3 302 02 01 1490
ST801	1252641	SPRING-PLUG IN CONNECTION+C893 AMP 96-52849-1

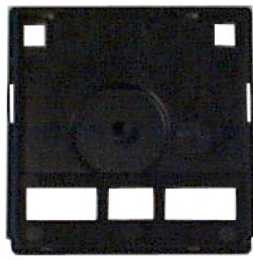
T101	1028049	TRANSISTOR-CH BAW BC858C G SPE0002A302
T102	1225537	TRANSISTOR-CH BAW BFR93A SHIP-TO-STOCK G
T1310	1294792	TRANSISTOR-CH TEL S593T
T1330	0659622	TRANSISTOR-CH BAW BC848C G SPE0004A302
T151	1018280	TRANSISTOR-CH BAW BC808-40 G SPE002
T152	1018280	TRANSISTOR-CH BAW BC808-40 G SPE002
T1801	0659614	TRANSISTOR-CH BAW BC848B G SPE0003A
T1802	0675318	TRANSISTOR-CH BAW BC818-16 SHIP-TO-STOCK
T1804	0659614	TRANSISTOR-CH BAW BC848B G SPE0003A
T1805	1239066	TRANS.-CH BAW KRC104S/BCR148/DTC144
T204	0659622	TRANSISTOR-CH BAW BC848C G SPE0004A302
T205	0659622	TRANSISTOR-CH BAW BC848C G SPE0004A302
T206	0659622	TRANSISTOR-CH BAW BC848C G SPE0004A302
T252	0659622	TRANSISTOR-CH BAW BC848C G SPE0004A302
T301	1180576	TRANSISTOR BAW J109/110 SELEKT.G SP
T302	0659622	TRANSISTOR-CH BAW BC848C G SPE0004A302
T304	0659673	TRANSISTOR-CH BAW BC858B G SPE0005A302
T323	0659622	TRANSISTOR-CH BAW BC848C G SPE0004A302
T350	1172646	TRANSISTOR-CH BAW KRC103S/DTC124 NP
T351	1172654	TRANSISTOR-CH BAW KRA103S/DTA124 PN
T352	1172654	TRANSISTOR-CH BAW KRA103S/DTA124 PN
T360	0659622	TRANSISTOR-CH BAW BC848C G SPE0004A302
T501	1172654	TRANSISTOR-CH BAW KRA103S/DTA124 PN
T502	1172646	TRANSISTOR-CH BAW KRC103S/DTC124 NP
T601	1280260	TRANSISTOR BAW 2SD2394F/2SD1913S SPE0062
T602	1028049	TRANSISTOR-CH BAW BC858C G SPE0002A302
T604	0659614	TRANSISTOR-CH BAW BC848B G SPE0003A
T605	0659614	TRANSISTOR-CH BAW BC848B G SPE0003A
T606	0672521	TRANSISTOR-CH BAW BC856B G SPE0013A
T607	1258079	TRANSISTOR-CH BAW BC846B G SPE0035A323
T702	1253611	TRANSISTOR-CH BAW BCR158/DTA123JC SPE006
T801	1172646	TRANSISTOR-CH BAW KRC103S/DTC124 NP
T802	1172654	TRANSISTOR-CH BAW KRA103S/DTA124 PN
T803	1182821	TRANSISTOR-CH BAW KRC102S/DTC114 NP
T804	1248499	TRANSISTOR-CH BAW BCX52-16 G SPE0060A302
T805	1172654	TRANSISTOR-CH BAW KRA103S/DTA124 PN
T806	1182821	TRANSISTOR-CH BAW KRC102S/DTC114 NP
T807	1248499	TRANSISTOR-CH BAW BCX52-16 G SPE0060A302
T852	1172654	TRANSISTOR-CH BAW KRA103S/DTA124 PN
T853	1172646	TRANSISTOR-CH BAW KRC103S/DTC124 NP
T854	1028006	TRANSISTOR-CH BAW BC817-40 SHIP-TO-STOCK
T855	1172654	TRANSISTOR-CH BAW KRA103S/DTA124 PN
T856	1172654	TRANSISTOR-CH BAW KRA103S/DTA124 PN
T857	1172646	TRANSISTOR-CH BAW KRC103S/DTC124 NP
T858	0659614	TRANSISTOR-CH BAW BC848B G SPE0003A
T859	1172646	TRANSISTOR-CH BAW KRC103S/DTC124 NP



14



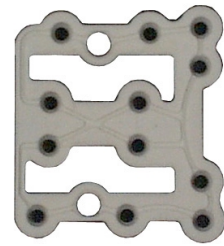
15



16



17



18



q

19

20



21



22



23



24



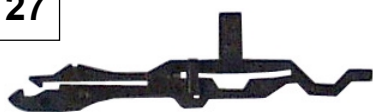
25



26



27



28



29

