

Blockdiagram

Main Board 4010 2

Connector

Connector block (Board 4040) 3

Connector interface (Board 4010) 4

Power supply

UG9V; UD5V; UG5V (Board 4010) 5

Tuner

FM-Tuner 1 (Board 4010) 6

FM-Tuner 2 (Board 4080) 7

FM-Peripherie (Board 4010) 8

AM-Tuner (Board 4010) 9

AF-section

Audio controller and FM-Stereo decoder 10

AF-amplifier (Board 4010) 11

Interface

d2b-optical (Board 4010) 12

Wake up-Line, K-Line (Board 4010) 13

Control

Processor (Board 4010) 14

Shiftregister, EEPROM (Board 4010) 15

CC-control, Dolby B/C (Board 4010) 16

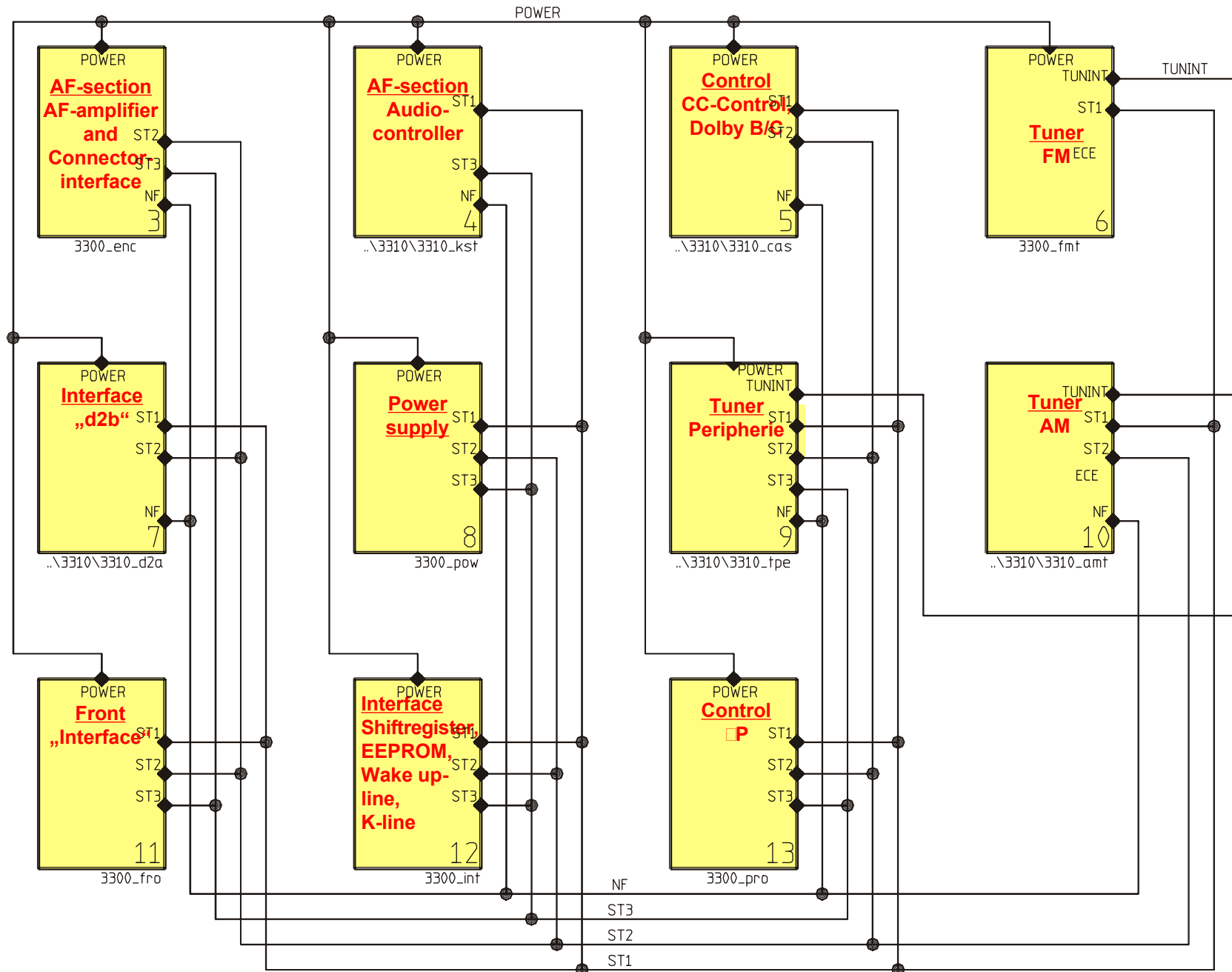
Front

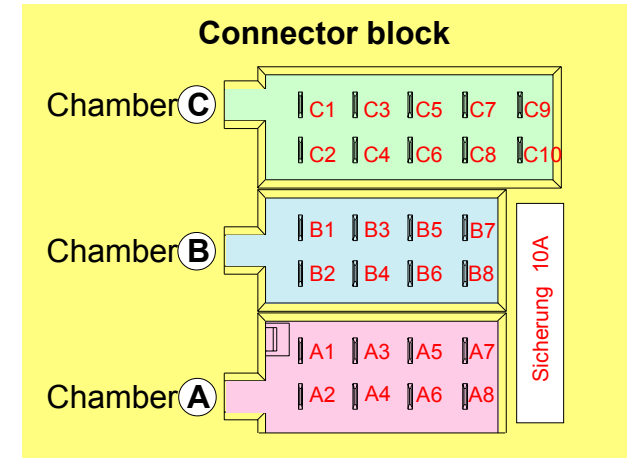
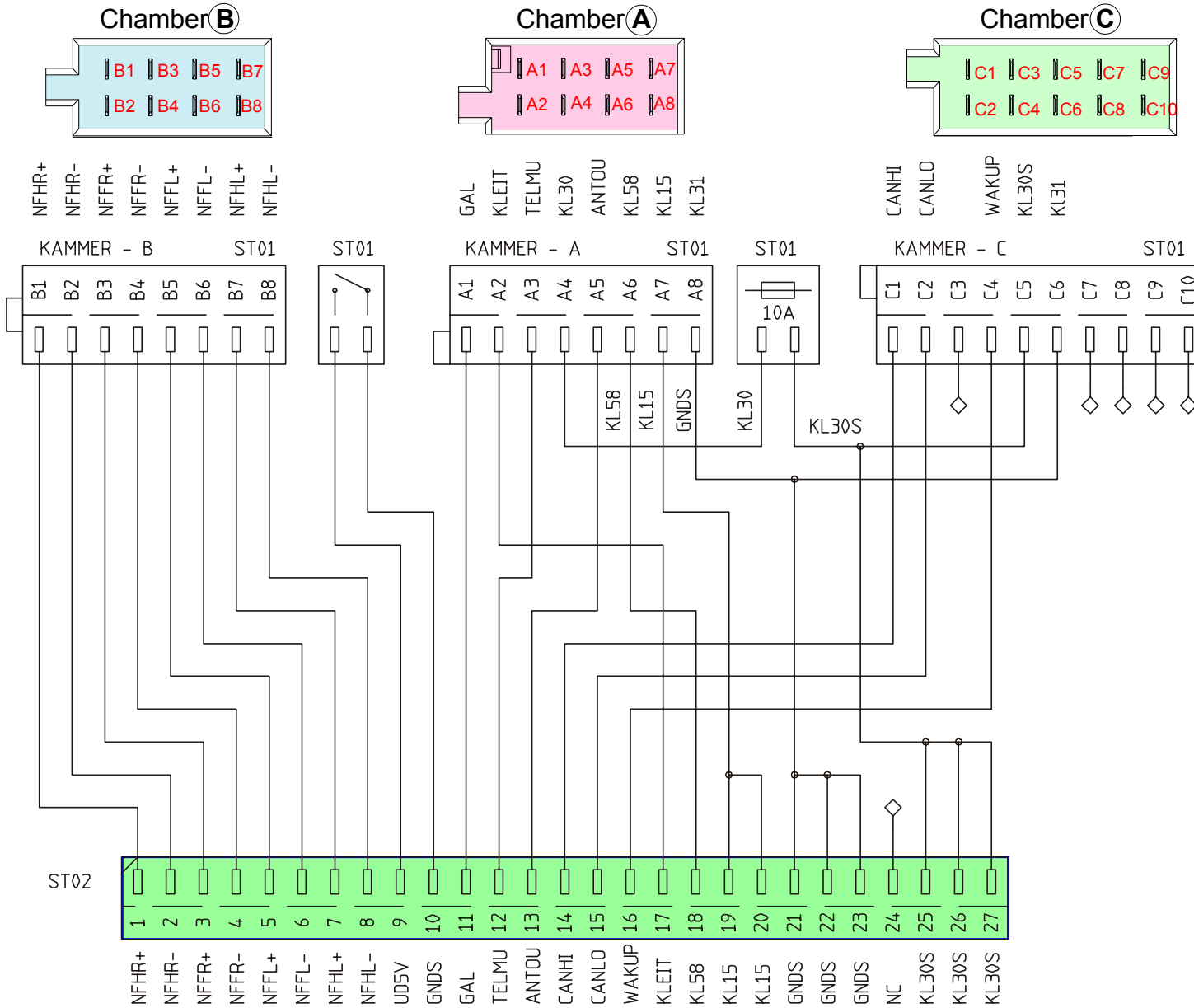
Front-Interface (Board 4010) 17

Front-Processor, Keyboard Middle, right (9090) 18

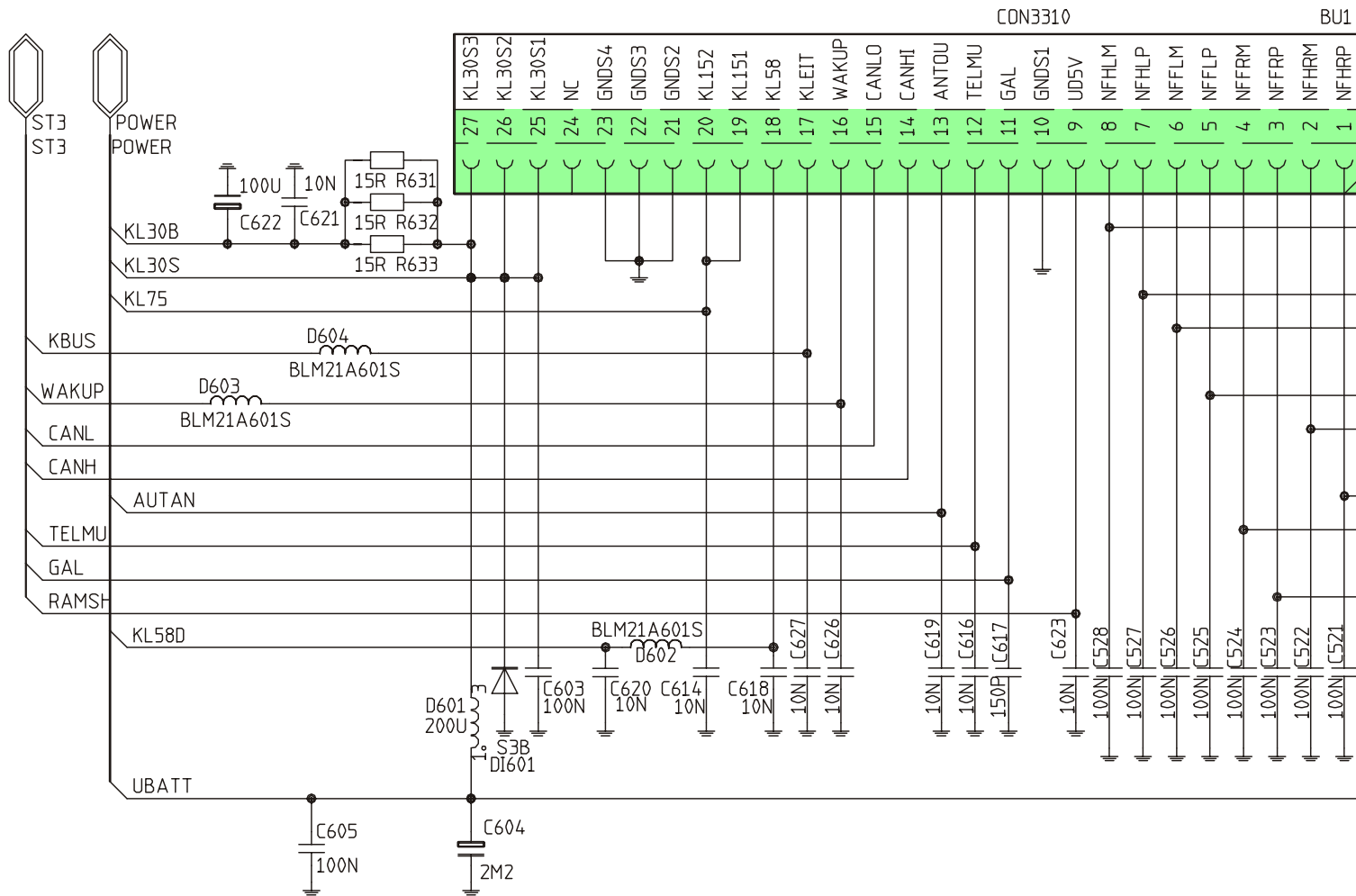
Keyboard left (Board 9060) 19

Display (Board 9080) 20

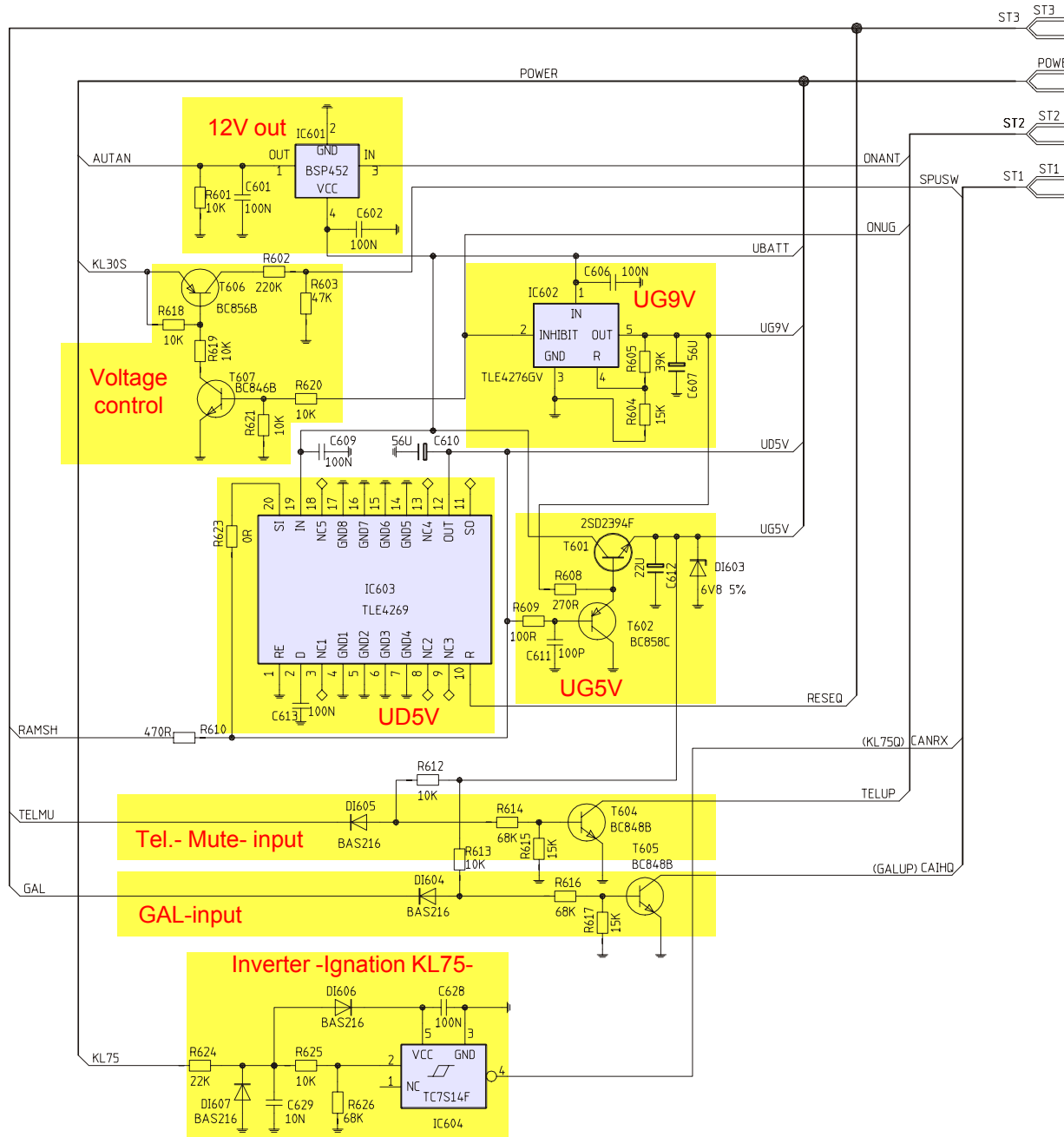


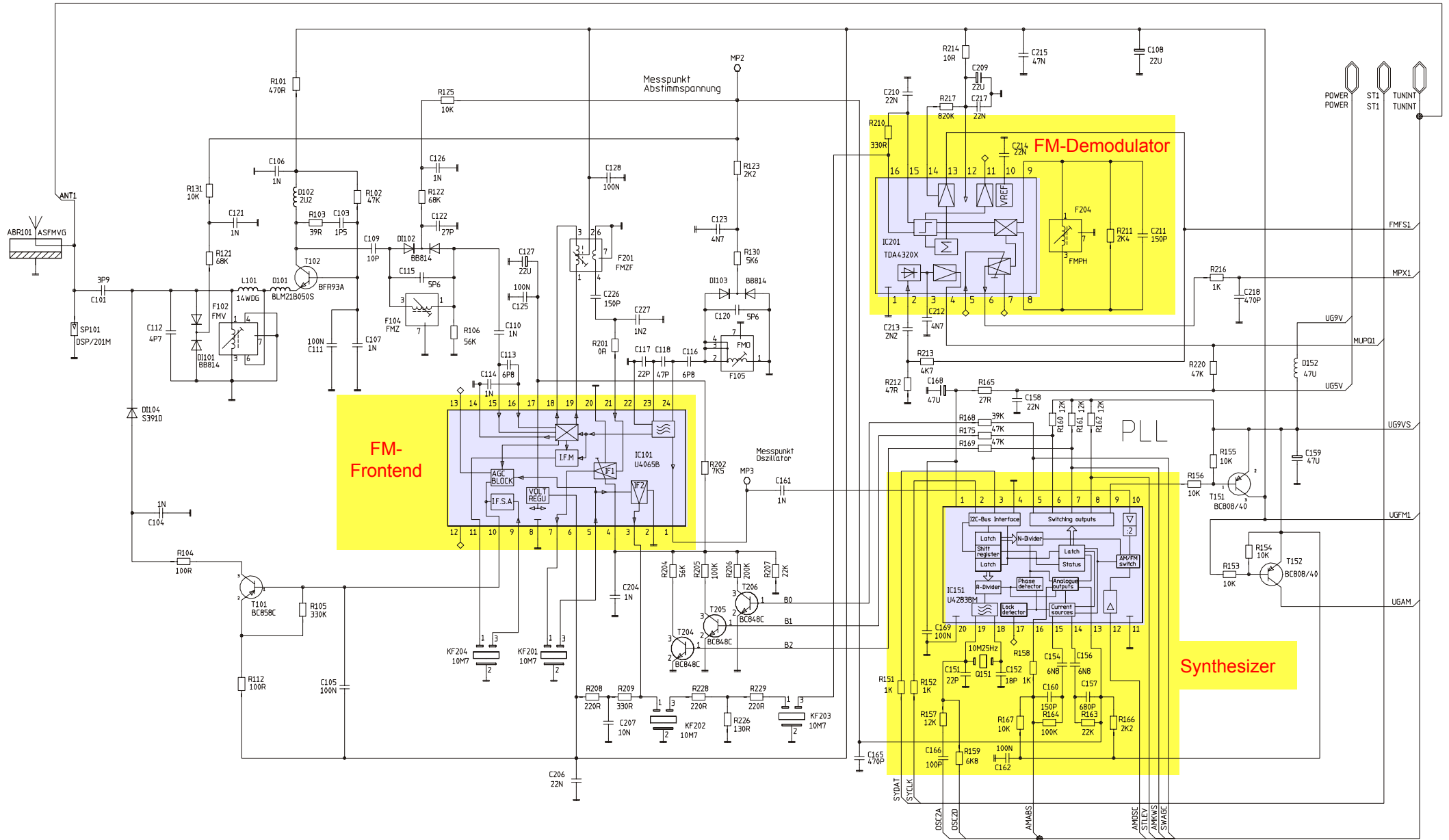


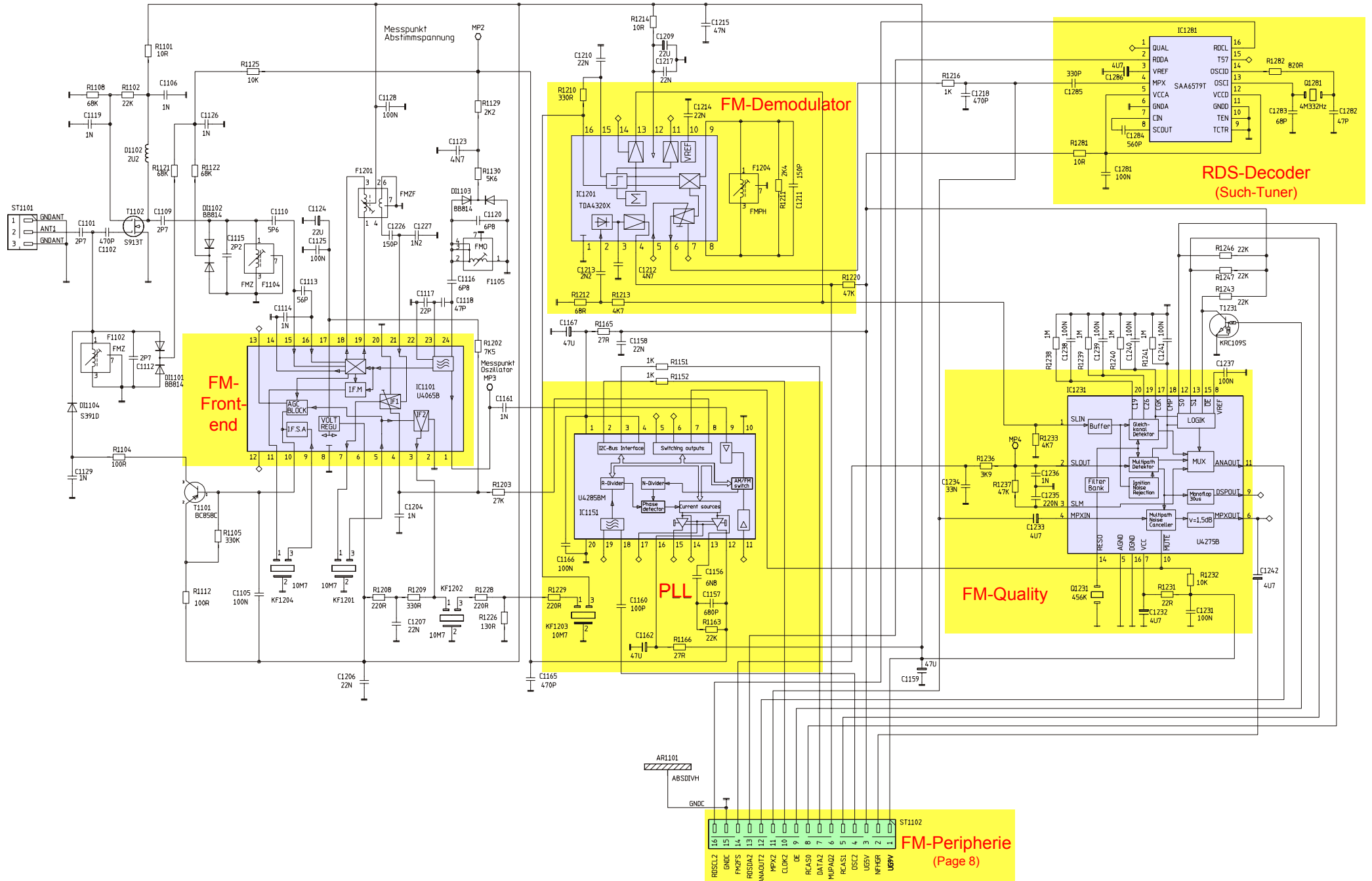
PIN	Chamber A	Chamber B	Chamber C
1	Speed dependent Vol. control	Loudspeaker rear right +	not assigned
2	K-line	Loudspeaker rear right -	not assigned
3	Telephone mute	Loudspeaker front right +	not assigned
4	Terminal 30, Battery	Loudspeaker front right -	Wake up line
5	Control output 12V	Loudspeaker front left +	Battery 12V Fuse
6	Battery 12V Fuse	Loudspeaker front left -	Terminal 31, Ground
7	Terminal 15, Ignition	Loudspeaker rear left +	not assigned
8	Terminal 31, Ground	Loudspeaker rear left -	not assigned
9			not assigned
10			not assigned



AF-section
Page 11

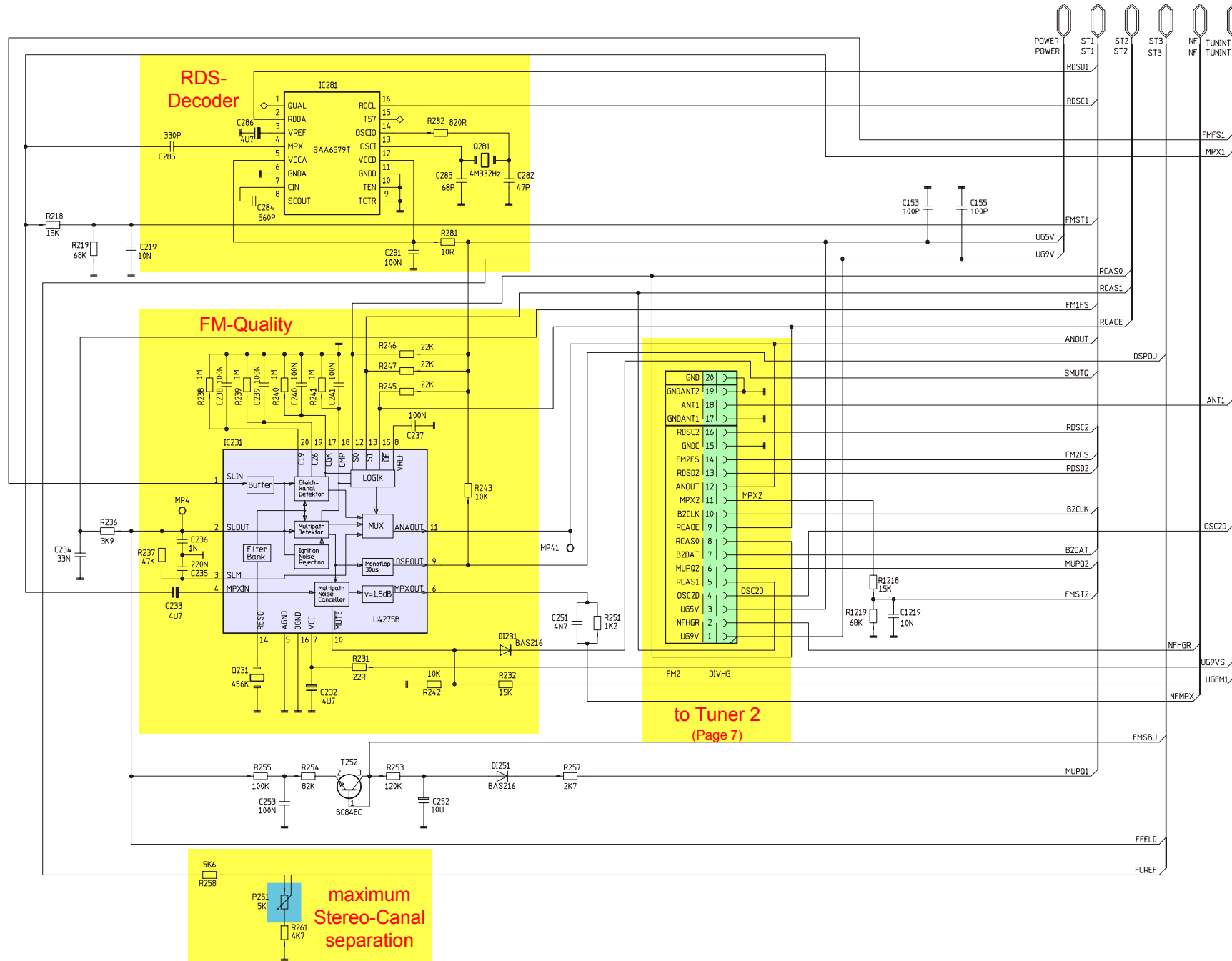


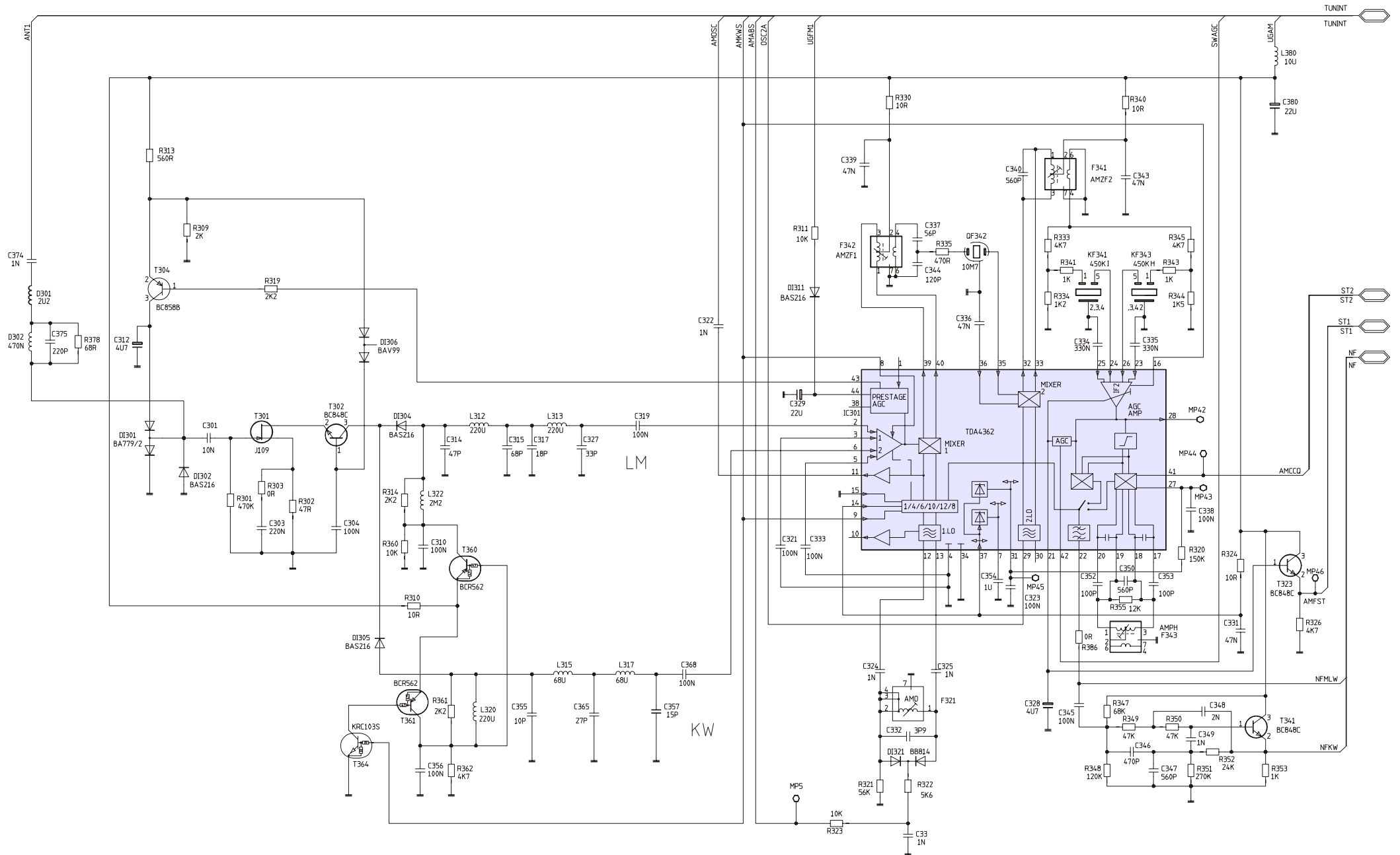


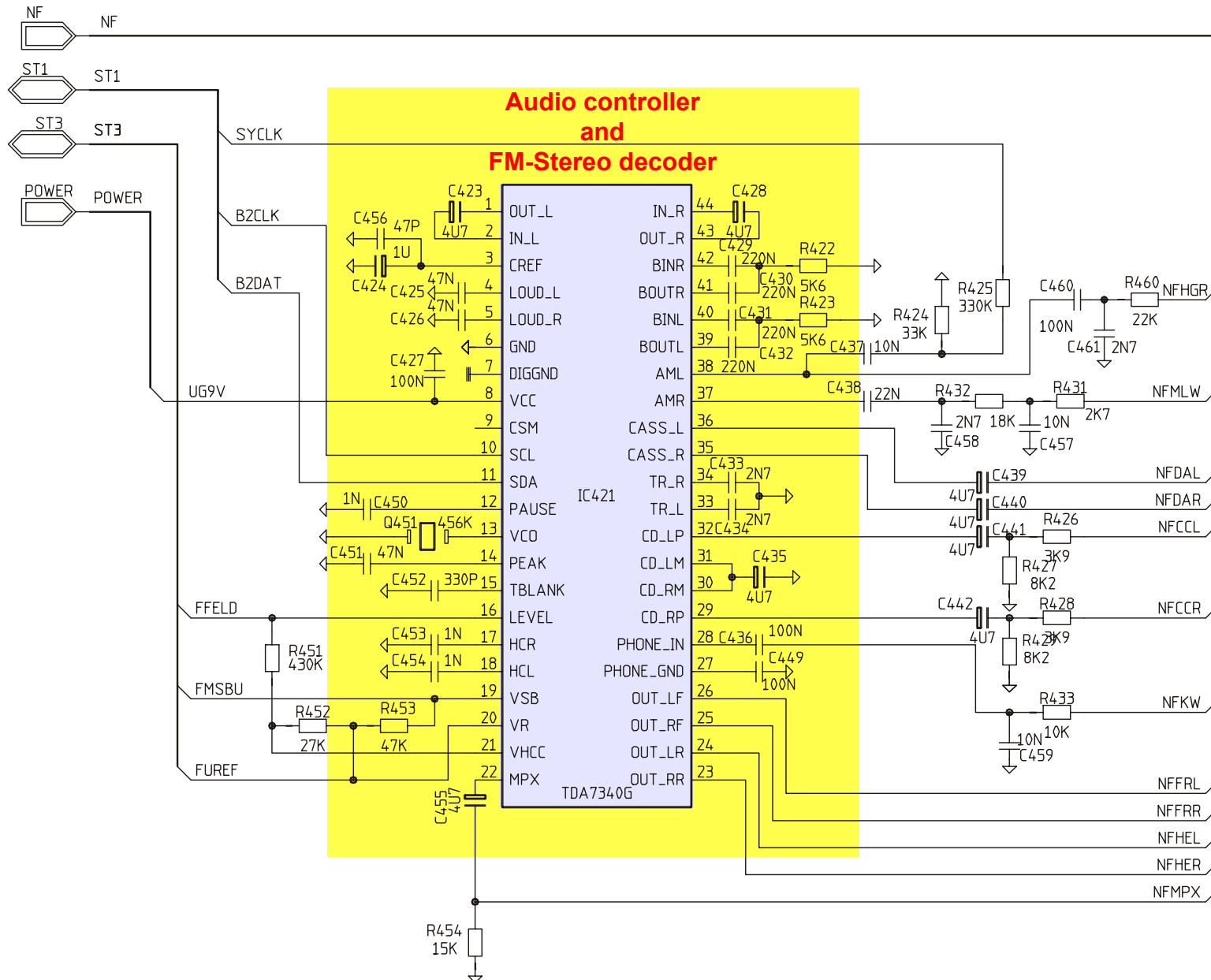


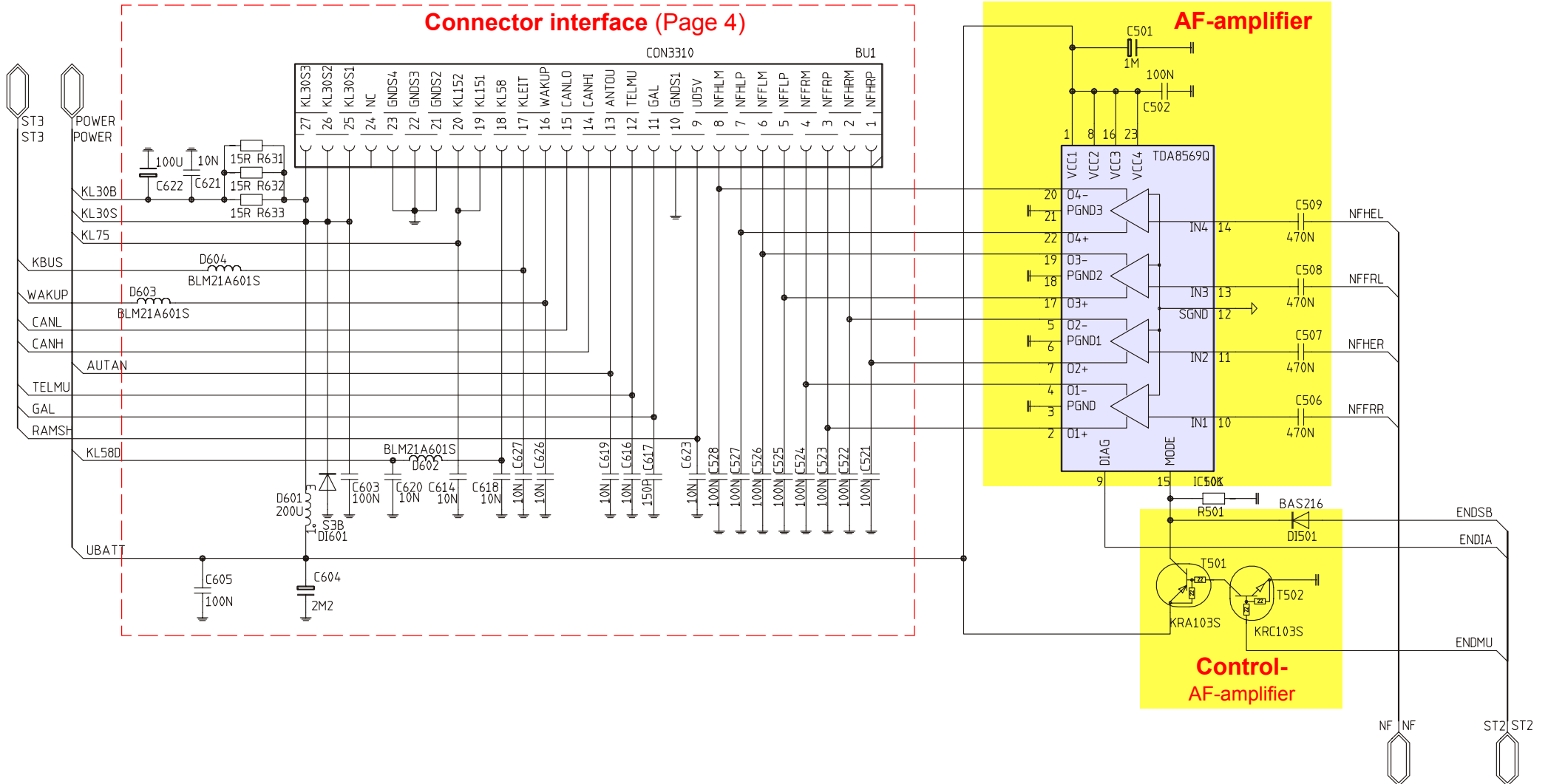
16	15	14	13	12	11	10	9	8	7	6	5	4	3	2	1
ROSLC2	GND	FM2FS	ROSDA2	ANAOUB7	MPX2	CLOCK	CE	REASO	DATA2	MUPAD2	REAS1	OSIC2	UGSV	NFER	UGRV

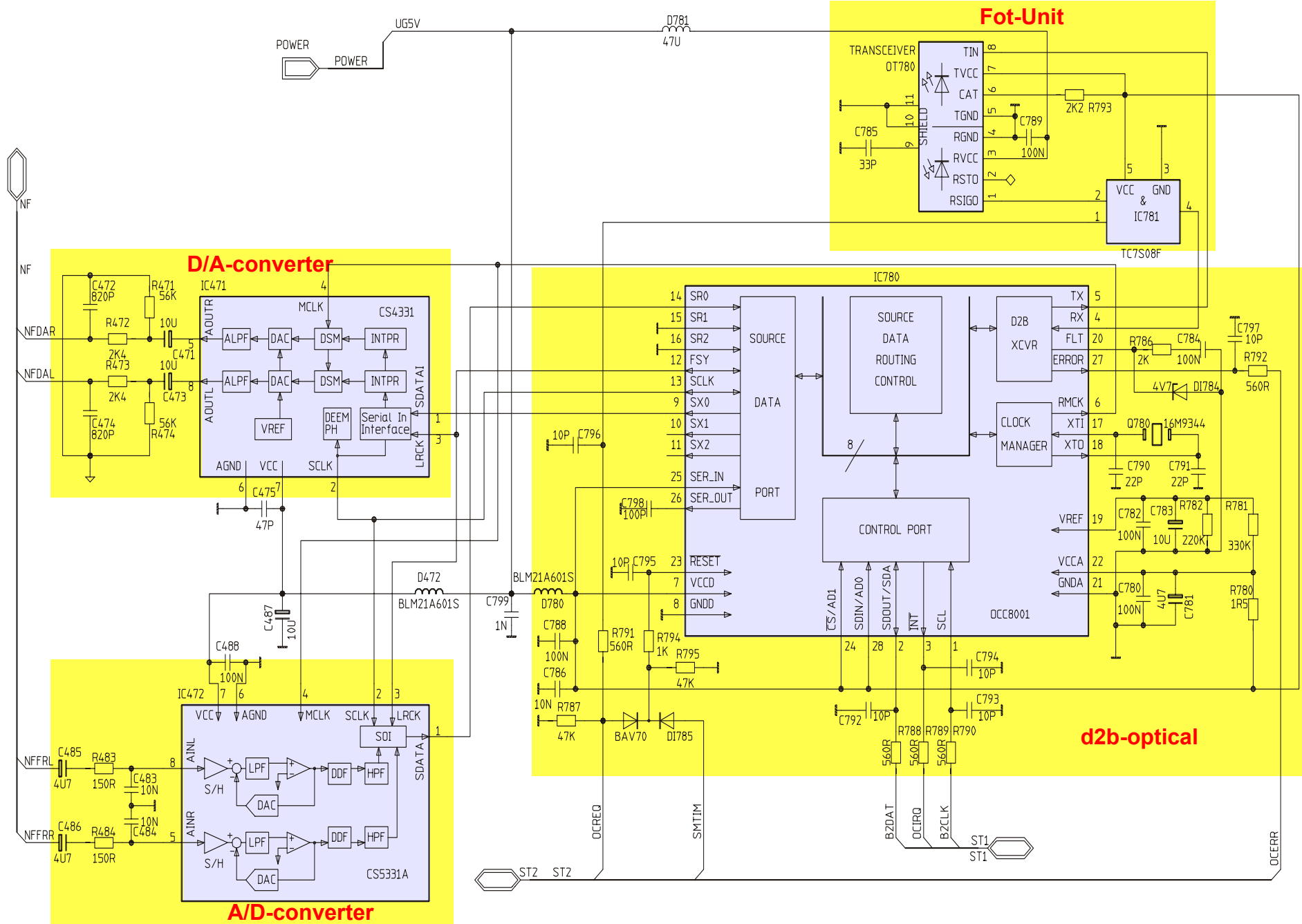
ST1102
FM-Peripherie
(Page 8)

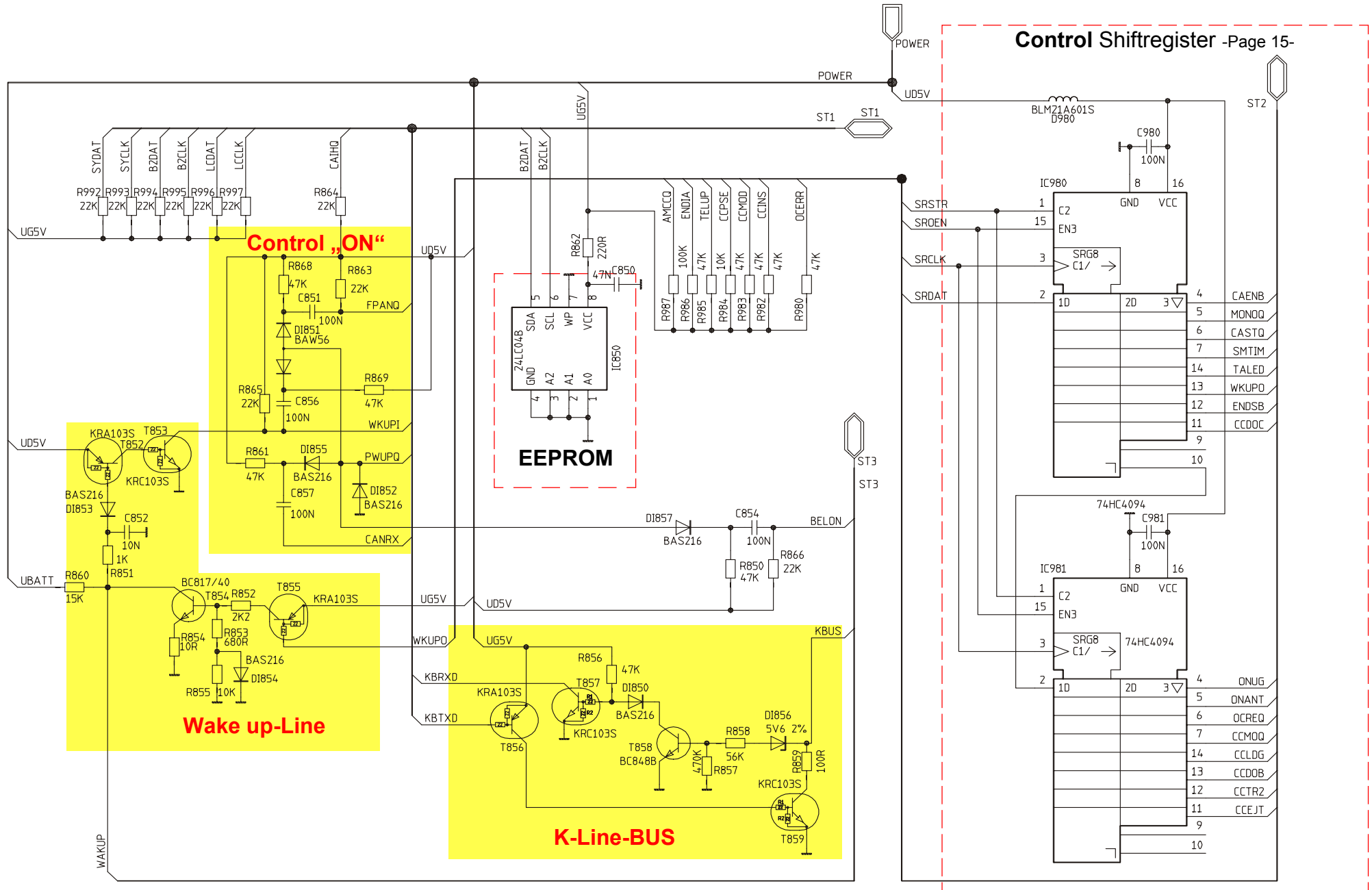


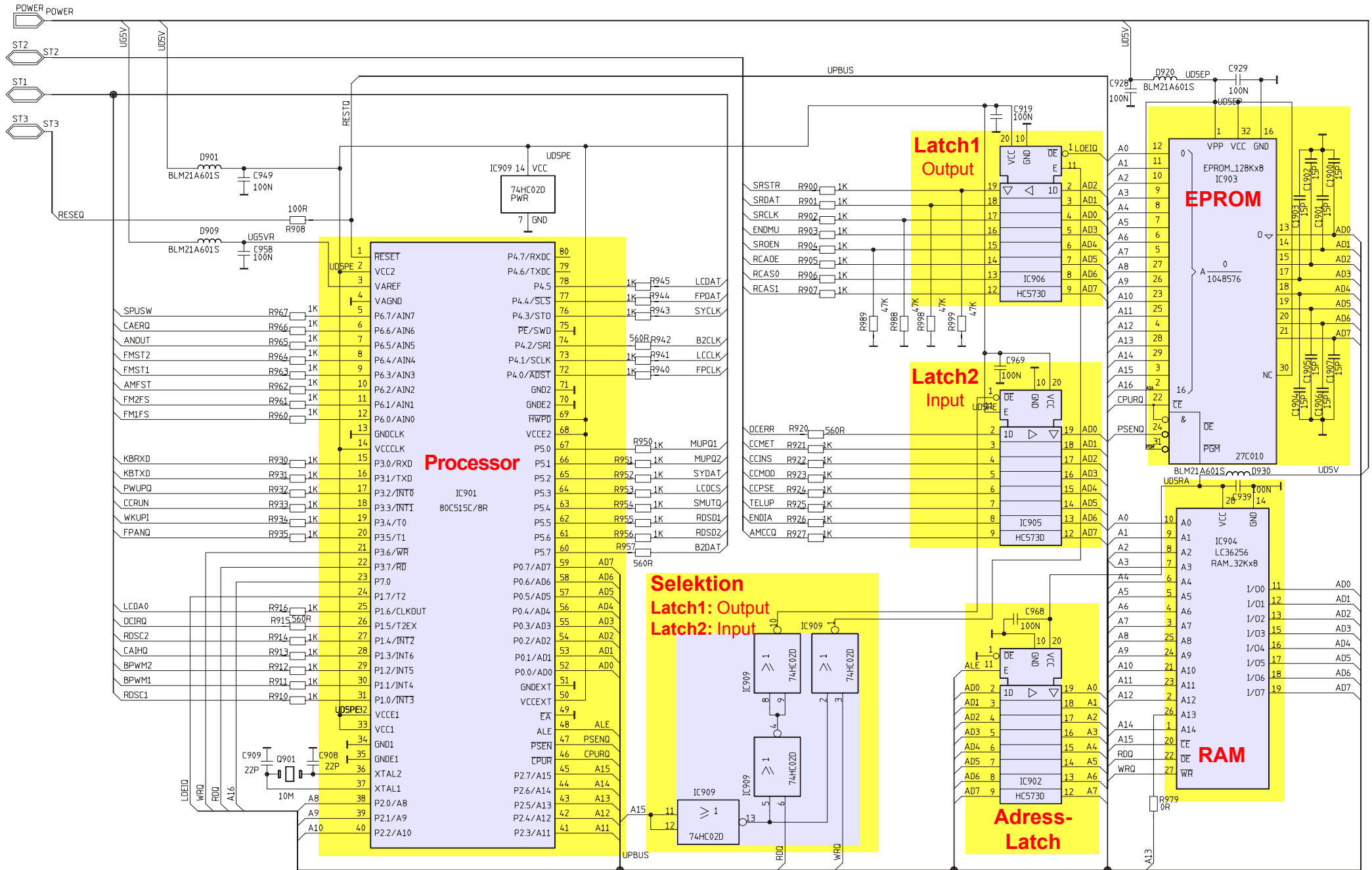


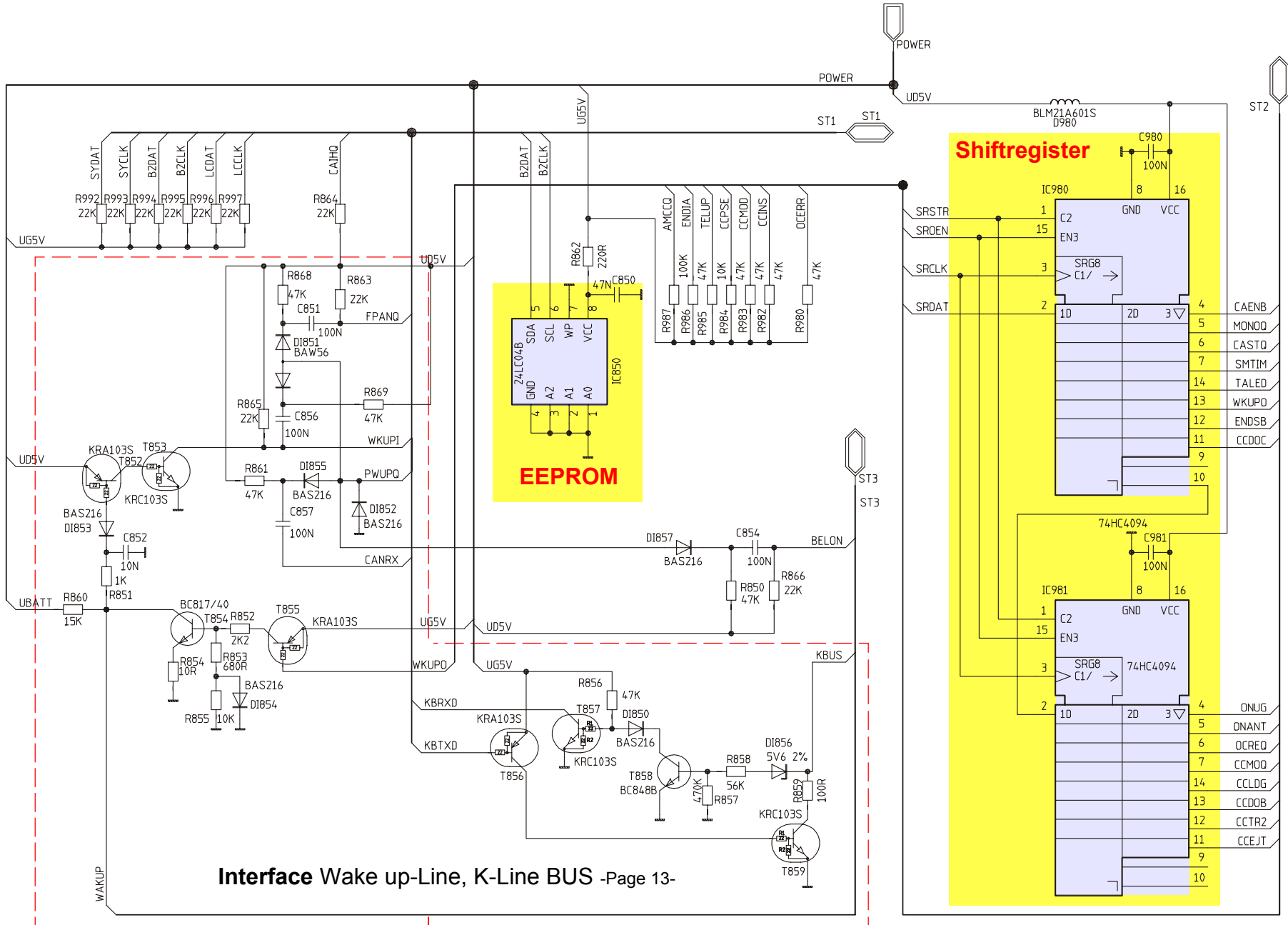




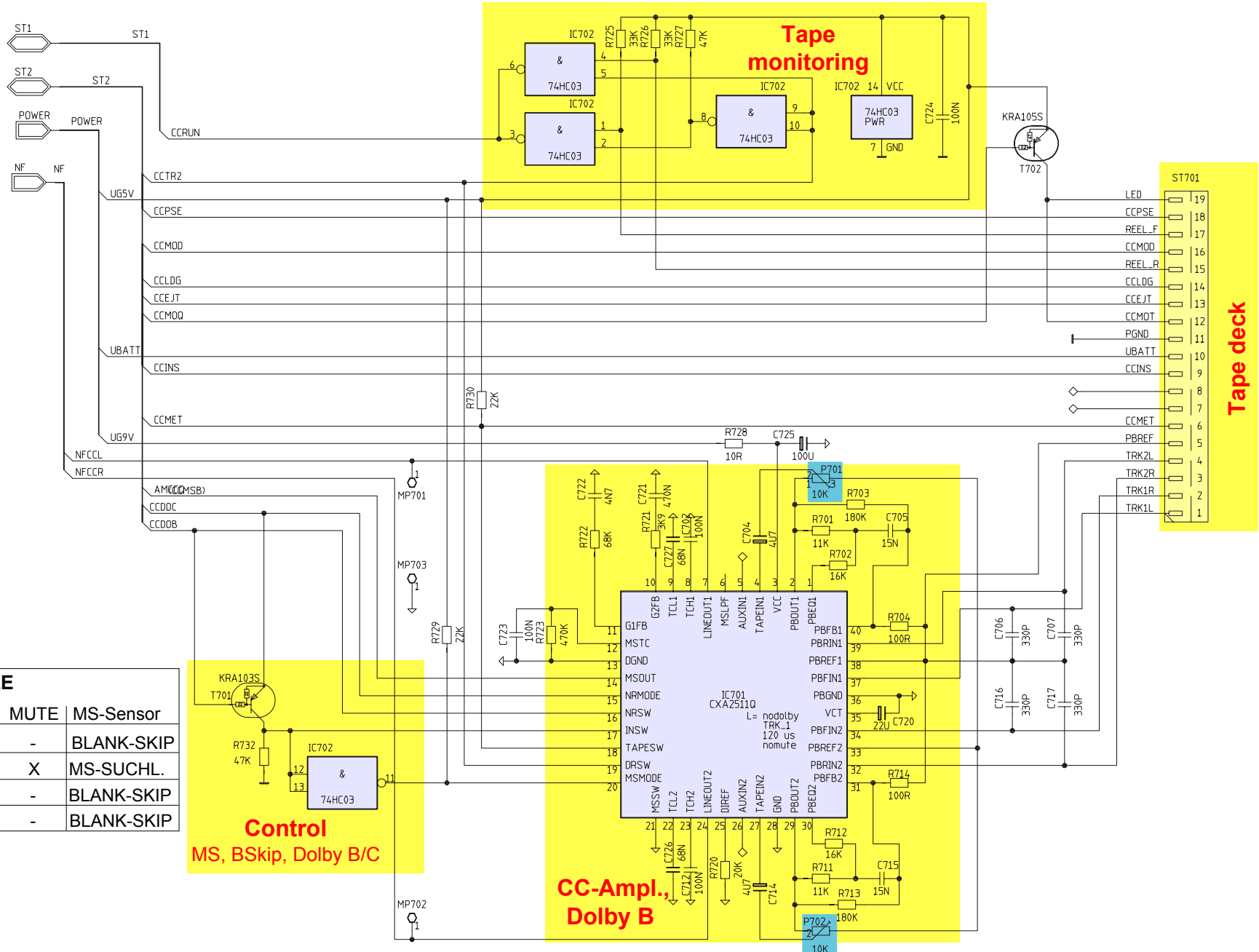






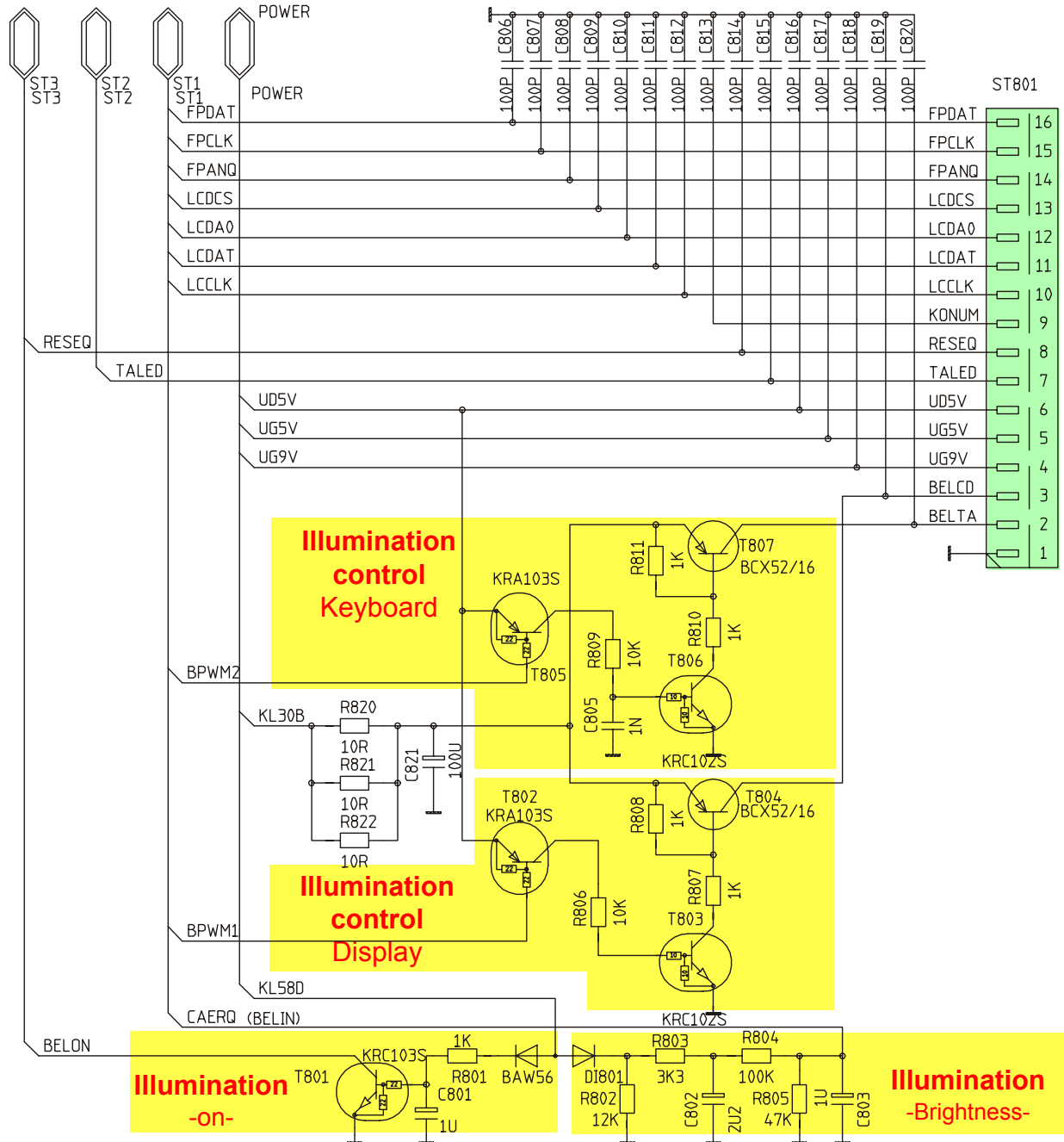


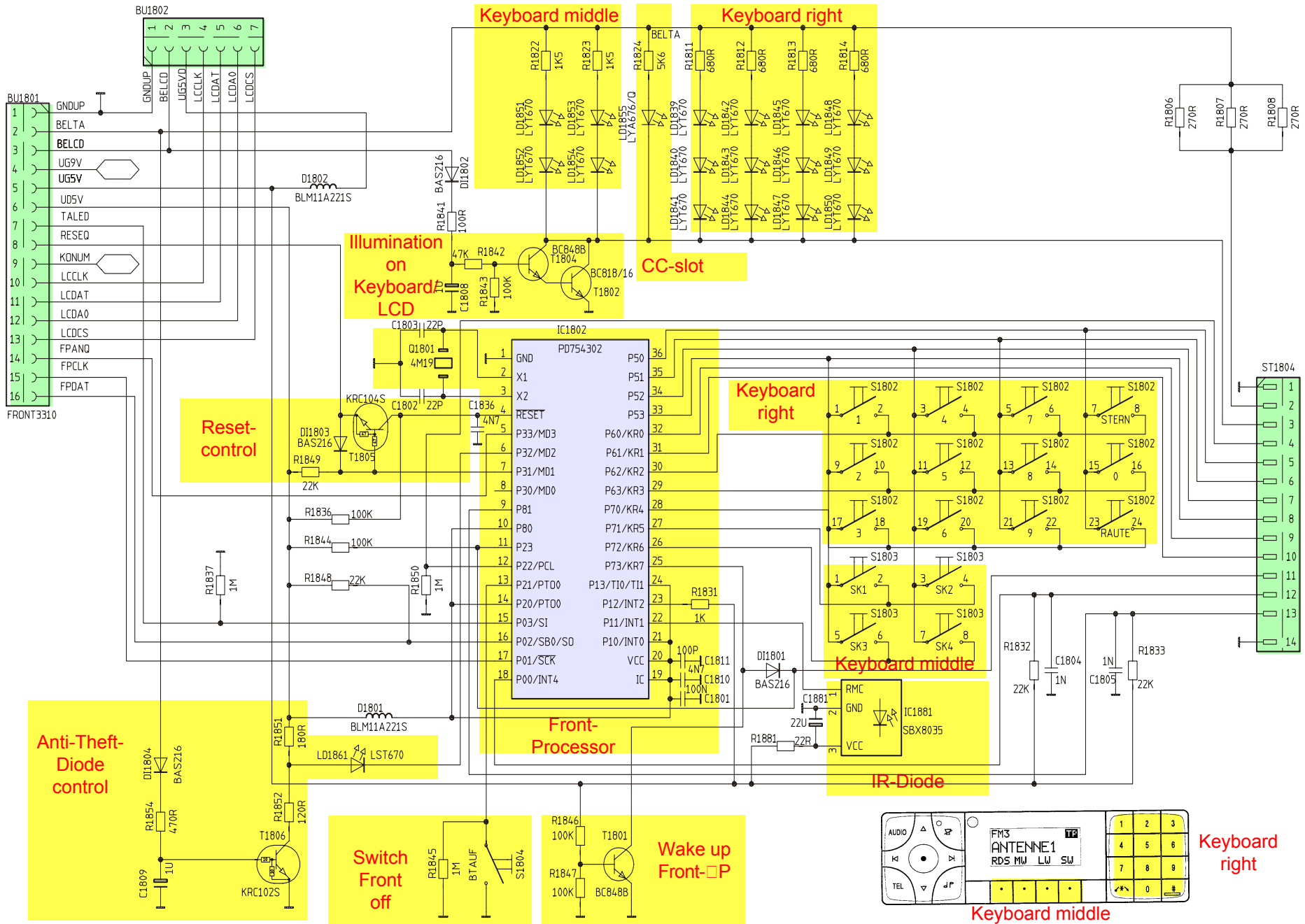
Interface Wake up-Line, K-Line BUS -Page 13-

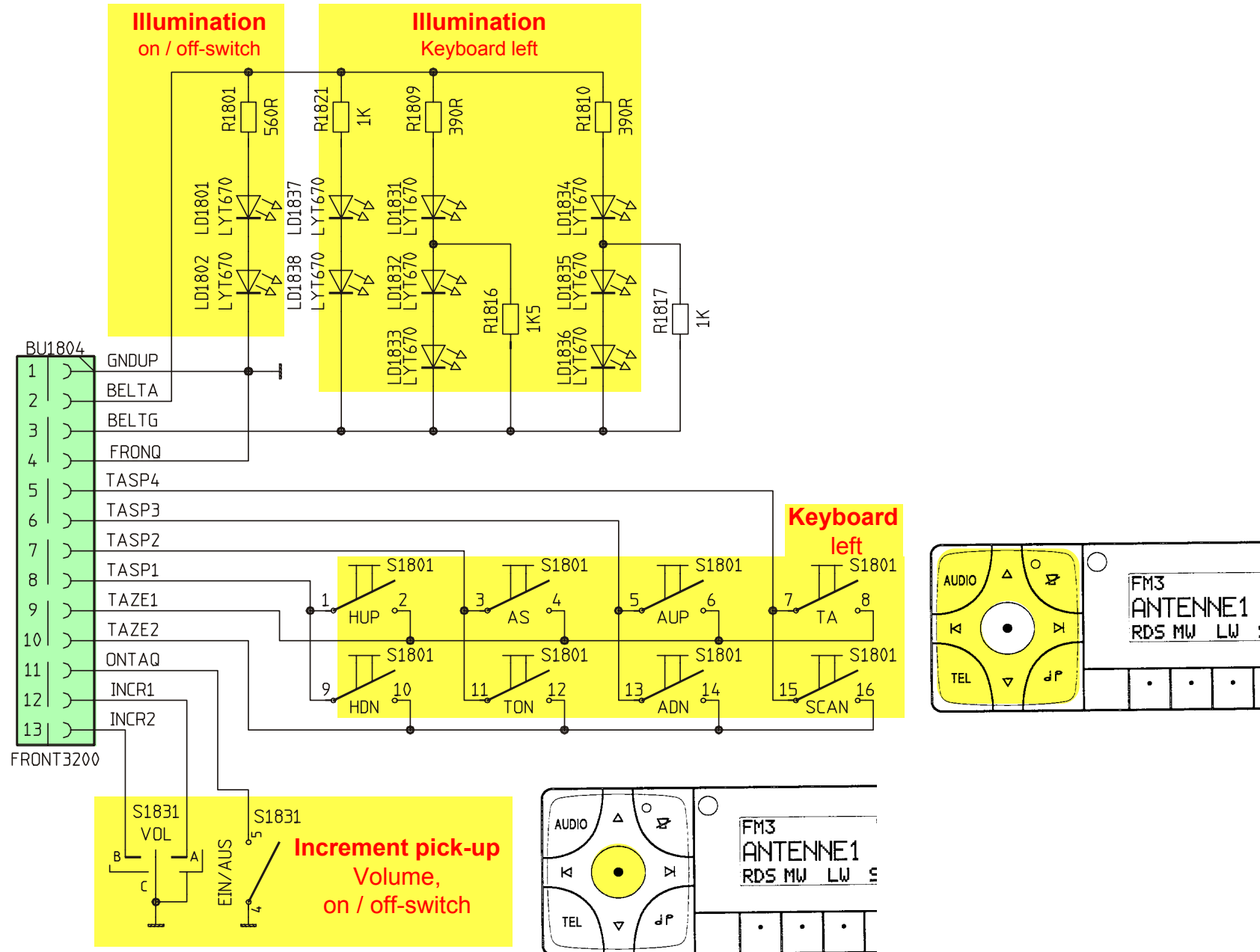


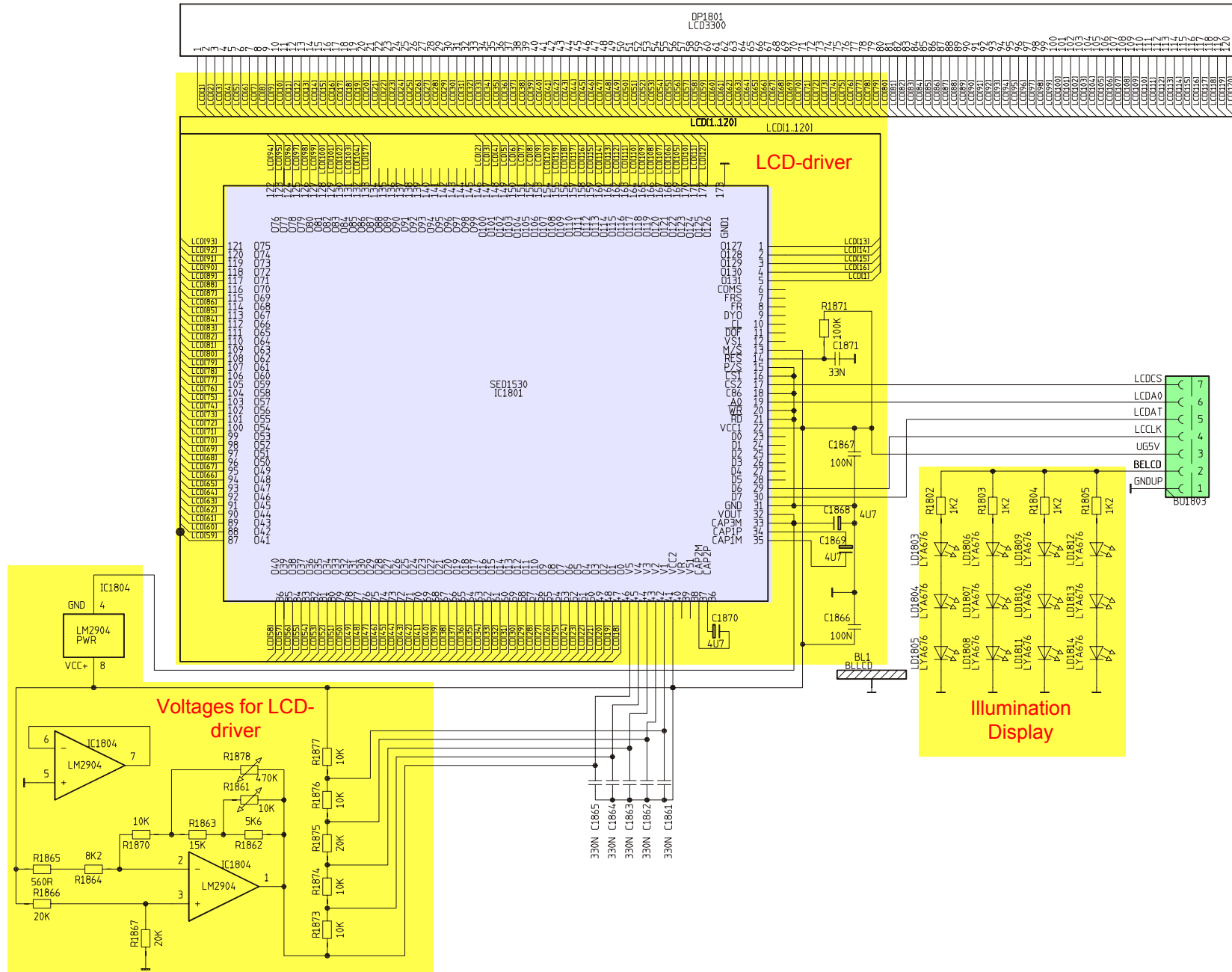
TABLE

CCDOB	CCDOC	DOLBY	MUTE	MS-Sensor
0	0	OFF	-	BLANK-SKIP
0	1	OFF	X	MS-SUCHL.
1	0	B	-	BLANK-SKIP
1	1	C	-	BLANK-SKIP









Pos.	Part.-No.	Denomination	
1	1284614	CHASSIS	3300
2	1309765	COVER, CHASSIS	3200
3	1284622	HOLDING SPRING-RIGHT	
4	1284630	HOLDING SPRING-LEFT	
5	1271997	PROTECTION CAP -D2B HEADER- AMP	
6	1278916	ZB CONNECTOR 21 POL D&R K37000300	3300
7	1246909	HEAT SINK 3310 WGR11318	
8	1246917	IC-HOLDER	3310
9	1246992	SCREENING FRAME-FM- WITH ANT.SOCKET	
10	1258842	COVER, SCREENING-FM/BS	3310
11	1247034	COVER, SCREENING-FM/LS-	3310
12	1244744	TAPEDECK ASSY ALP GR71-S36B (MJ'98)	
13		OPERATION ESCUTCHEON	3300
14	1284533	P.C. BOARD FRONT 9090	
15	1294342	OPERATION ESCUTCHEON MOBIL CPL.	
16	1284460	COVER, MOBIL AUDIO 30 ECE	3300
17	1295403	TRIM PLATE MOBIL CPL. LEFT	
18	1334859	KEY AUDIO	
19	1334875	KEY TONE	
20	1334883	KEY TEL	
21	1334891	TASTE MUTE	
22	1322745	TRIM PLATE FIX CPL. RIGHT	
23	1334913	KEY 1	
24	1334921	KEY 2	
25	1334931	KEY 3	
26	1334948	KEY 4	
27	1334956	KEY 5	
28	1334964	KEY 6	
29	1334972	KEY 7	
30	1334980	KEY 8	
31	1334999	KEY 9	
32	1335006	KEY 0	
33	1335014	KEY STAR	
34	1335022	KEY EJECT	
35	1283812	CONTACT MAT -12 -KEYS	3300
36	1337254	COVER, BLIND	
37	1337262	COVER, LED	
38	1335030	KEY SOFTKEY LEFT	
39	1335057	KEY SOFTKEY MIDDLE LEFT	
40	1335049	KEY SOFTKEY RIGHT	
41	1335573	KEY SOFTKEY MIDDLE RIGHT	
42	1283804	CONTACT MAT SOFTKEY	
43	1284150	UNCLAMP	
44	1284169	WITH CLOCK SPRING	
45	1309110	LCD-MODUL CPL.	
46	1284223	TRIM PLATE LCD PRINTING	
47	1284193	COVER, LCD	3300

48	1284207	FLEX LINE	3300
49	1284231	UNCLAMP BUTTON	3300
50	1284241	WITH PRESSURE SPRING	
51	1284266	ROTATION DAMPER	3300
52	1284258	CLOCK SPRING-LCD	
53	1257919	SPRING CLAMP (CC)	
54	1284290	CONTROL LEVER (CC)	
55	1284061	LIGHT CONDUCTOR (CC)	
56	1284177	BUTTON	
BU1802	1284282	CONNECTOR,7POL MB98/DIN AMP 487951-7	
BU1803	1284282	CONNECTOR,7POL MB98/DIN AMP 487951-7	
C101	1246380	CECA-CH 3P9 C NP0 0603 BAW SPE0031A315	
C103	1223909	CECA-CH 1P5 J NP0 0603 BAW SPE0030A315	
C104	1173324	CECA-CH 1N J NP0 0805 BAW SPE0003A315	
C105	1246348	CECA-CH 100N K X7R 0805 BAW SPE0035A315	
C106	1173324	CECA-CH 1N J NP0 0805 BAW SPE0003A315	
C107	1173324	CECA-CH 1N J NP0 0805 BAW SPE0003A315	
C108	1249150	ELCA 22U M 16V BAW SPE0067A312-RM2,5	
C109	1233971	CECA-CH 10P J NP0 0603 BAW SPE0030A315	
C110	1173324	CECA-CH 1N J NP0 0805 BAW SPE0003A315	
C1101	1223917	CECA-CH 2P7 J NP0 0603 BAW SPE0030A315	
C1102	1252690	CECA-CH 470P J NP0 0603 BAW SPE0030A315	
C1105	1246348	CECA-CH 100N K X7R 0805 BAW SPE0035A315	
C1106	1173324	CECA-CH 1N J NP0 0805 BAW SPE0003A315	
C1109	1223917	CECA-CH 2P7 J NP0 0603 BAW SPE0030A315	
C111	1246348	CECA-CH 100N K X7R 0805 BAW SPE0035A315	
C1110	1223925	CECA-CH 6P8 J NP0 0603 BAW SPE0030A315	
C1112	1223917	CECA-CH 2P7 J NP0 0603 BAW SPE0030A315	
C1113	1223925	CECA-CH 6P8 J NP0 0603 BAW SPE0030A315	
C1114	1173324	CECA-CH 1N J NP0 0805 BAW SPE0003A315	
C1115	1223909	CECA-CH 1P5 J NP0 0603 BAW SPE0030A315	
C1116	1223925	CECA-CH 6P8 J NP0 0603 BAW SPE0030A315	
C1117	1223951	CECA-CH 22P J NP0 0603 BAW SPE0030A315	
C1118	1223976	CECA-CH 47P J NP0 0603 BAW SPE0030A315	
C1119	1173324	CECA-CH 1N J NP0 0805 BAW SPE0003A315	
C112	1237683	CECA-CH 4P7 J NP0 0603 BAW SPE0030A315	
C1120	1238787	CECA-CH 5P6 J NP0 0603 BAW SPE0030A315	
C1123	1166751	CECA-CH 4N7 K X7R 0805 BAW SPE0015A315	
C1124	1249150	ELCA 22U M 16V BAW SPE0067A312-RM2,5	
C1125	1246348	CECA-CH 100N K X7R 0805 BAW SPE0035A315	
C1126	1173324	CECA-CH 1N J NP0 0805 BAW SPE0003A315	
C1128	1246348	CECA-CH 100N K X7R 0805 BAW SPE0035A315	
C1129	1173324	CECA-CH 1N J NP0 0805 BAW SPE0003A315	
C113	1223925	CECA-CH 6P8 J NP0 0603 BAW SPE0030A315	
C114	1173324	CECA-CH 1N J NP0 0805 BAW SPE0003A315	
C115	1238787	CECA-CH 5P6 J NP0 0603 BAW SPE0030A315	
C1156	0356417	KS-FOCA 6N8 K 100V G WIM FKS2-RM5	

C1157	1277790	CECA-CH 680P J COH 0603 25V G MUR GRM39
C1158	1119176	CECA-CH 22N J X7R 0805 BAW SPE0014A315
C1159	1249169	ELCA 47U M 16V BAW SPE0068A312-RM2,5
C116	1223925	CECA-CH 6P8 J NP0 0603 BAW SPE0030A315
C1160	1234536	CECA-CH 100P J NP0 0603 BAW SPE0030A315
C1161	1173324	CECA-CH 1N J NP0 0805 BAW SPE0003A315
C1162	1246348	CECA-CH 100N K X7R 0805 BAW SPE0035A315
C1165	1119222	CECA-CH 470P K X7R 0805 BAW SPE0015A315
C1166	1246348	CECA-CH 100N K X7R 0805 BAW SPE0035A315
C1167	1249169	ELCA 47U M 16V BAW SPE0068A312-RM2,5
C117	1223951	CECA-CH 22P J NP0 0603 BAW SPE0030A315
C118	1223976	CECA-CH 47P J NP0 0603 BAW SPE0030A315
C120	1238787	CECA-CH 5P6 J NP0 0603 BAW SPE0030A315
C1204	1173324	CECA-CH 1N J NP0 0805 BAW SPE0003A315
C1206	1119176	CECA-CH 22N J X7R 0805 BAW SPE0014A315
C1207	1119176	CECA-CH 22N J X7R 0805 BAW SPE0014A315
C1209	1249150	ELCA 22U M 16V BAW SPE0067A312-RM2,5
C121	1173324	CECA-CH 1N J NP0 0805 BAW SPE0003A315
C1210	1119176	CECA-CH 22N J X7R 0805 BAW SPE0014A315
C1211	1073516	CECA-CH 150P J NP0 0805 BAW SPE0003A315
C1212	1166751	CECA-CH 4N7 K X7R 0805 BAW SPE0015A315
C1213	1162209	CECA-CH 270P G NP0 0805 BAW SPE0027A315
C1214	1119176	CECA-CH 22N J X7R 0805 BAW SPE0014A315
C1215	1182943	CECA-CH 47N K X7R 0805 BAW SPE0015A315
C1217	1119176	CECA-CH 22N J X7R 0805 BAW SPE0014A315
C1218	1066110	CECA-CH 470P J NP0 0805 BAW SPE0003A315
C1219	1119125	CECA-CH 10N K X7R 0805 BAW SPE0015A315
C122	1243012	CECA-CH 27P J NPO 0603 BAW SPE0030A315
C1226	1234897	CECA-CH 150P J P2H 0603 MUR GRM39
C1227	1270788	CECA-CH 1N2 J S2H 1206 50V MUR GRM42-6
C123	1166751	CECA-CH 4N7 K X7R 0805 BAW SPE0015A315
C1231	1246348	CECA-CH 100N K X7R 0805 BAW SPE0035A315
C1232	1258877	ELCA 4U7 M 50V G BAW SPE0049A31 RM2,5
C1233	1258877	ELCA 4U7 M 50V G BAW SPE0049A31 RM2,5
C1234	1119192	CECA-CH 33N K X7R 0805 BAW SPE0015A315
C1235	1246321	CECA-CH 220N K X7R 1206 BAW SPE0036A315
C1236	1173324	CECA-CH 1N J NP0 0805 BAW SPE0003A315
C1237	1246348	CECA-CH 100N K X7R 0805 BAW SPE0035A315
C1238	1246348	CECA-CH 100N K X7R 0805 BAW SPE0035A315
C1239	1246348	CECA-CH 100N K X7R 0805 BAW SPE0035A315
C1240	1246348	CECA-CH 100N K X7R 0805 BAW SPE0035A315
C1241	1246348	CECA-CH 100N K X7R 0805 BAW SPE0035A315
C1242	1258877	ELCA 4U7 M 50V G BAW SPE0049A31 RM2,5
C125	1246348	CECA-CH 100N K X7R 0805 BAW SPE0035A315
C126	1173324	CECA-CH 1N J NP0 0805 BAW SPE0003A315
C127	1249150	ELCA 22U M 16V BAW SPE0067A312-RM2,5
C128	1246348	CECA-CH 100N K X7R 0805 BAW SPE0035A315

C1281	1246348	CECA-CH 100N K X7R 0805 BAW SPE0035A315
C1282	1066064	CECA-CH 47P J NP0 0805 BAW SPE0003A315
C1283	1164635	CECA-CH 68P J NP0 0805 BAW SPE0003A315
C1284	1156561	CECA-CH 560P J NP0 0805 BAW SPE0003A315
C1285	1066102	CECA-CH 330P J NP0 0805 BAW SPE0003A315
C1286	1258877	ELCA 4U7 M 50V G BAW SPE0049A31 RM2,5
C151	1223951	CECA-CH 22P J NP0 0603 BAW SPE0030A315
C152	1223941	CECA-CH 18P J NP0 0603 BAW SPE0030A315
C153	1234536	CECA-CH 100P J NP0 0603 BAW SPE0030A315
C154	1166409	CECA-CH 6N8 J X7R 0805 BAW SPE0014A315
C155	1234536	CECA-CH 100P J NP0 0603 BAW SPE0030A315
C156	0356417	KS-FOCA 6N8 K 100V G WIM FKS2-RM5
C157	1277790	CECA-CH 680P J COH 0603 25V G MUR GRM39
C158	1119176	CECA-CH 22N J X7R 0805 BAW SPE0014A315
C159	1249169	ELCA 47U M 16V BAW SPE0068A312-RM2,5
C160	1223992	CECA-CH 150P J NP0 0603 BAW SPE0030A315
C161	1173324	CECA-CH 1N J NP0 0805 BAW SPE0003A315
C162	1246348	CECA-CH 100N K X7R 0805 BAW SPE0035A315
C165	1119222	CECA-CH 470P K X7R 0805 BAW SPE0015A315
C166	1234536	CECA-CH 100P J NP0 0603 BAW SPE0030A315
C168	1249169	ELCA 47U M 16V BAW SPE0068A312-RM2,5
C169	1246348	CECA-CH 100N K X7R 0805 BAW SPE0035A315
C1801	1246348	CECA-CH 100N K X7R 0805 BAW SPE0035A315
C1802	1223951	CECA-CH 22P J NP0 0603 BAW SPE0030A315
C1803	1223951	CECA-CH 22P J NP0 0603 BAW SPE0030A315
C1804	1173324	CECA-CH 1N J NP0 0805 BAW SPE0003A315
C1805	1173324	CECA-CH 1N J NP0 0805 BAW SPE0003A315
C1808	1238647	TACA-CH 1U K B G 35V BAW SPE0005A313
C1809	1238647	TACA-CH 1U K B G 35V BAW SPE0005A313
C1810	1166751	CECA-CH 4N7 K X7R 0805 BAW SPE0015A315
C1811	1234536	CECA-CH 100P J NP0 0603 BAW SPE0030A315
C1836	1166751	CECA-CH 4N7 K X7R 0805 BAW SPE0015A315
C1861	1246208	CECA-CH 330N J X7R 1206 25V MUR GRM42-6
C1862	1246208	CECA-CH 330N J X7R 1206 25V MUR GRM42-6
C1863	1246208	CECA-CH 330N J X7R 1206 25V MUR GRM42-6
C1864	1246208	CECA-CH 330N J X7R 1206 25V MUR GRM42-6
C1865	1246208	CECA-CH 330N J X7R 1206 25V MUR GRM42-6
C1866	1246348	CECA-CH 100N K X7R 0805 BAW SPE0035A315
C1867	1246348	CECA-CH 100N K X7R 0805 BAW SPE0035A315
C1868	1028715	TACA-CH 4U7 M B G 10V BAW SPE0008A313
C1869	1028715	TACA-CH 4U7 M B G 10V BAW SPE0008A313
C1870	1028715	TACA-CH 4U7 M B G 10V BAW SPE0008A313
C1871	1119192	CECA-CH 33N K X7R 0805 BAW SPE0015A315
C1881	1254839	TACA-CH 22U K B G 6V3 SIE B45196-H
C1900	1223933	CECA-CH 15P J NP0 0603 BAW SPE0030A315
C1901	1223933	CECA-CH 15P J NP0 0603 BAW SPE0030A315
C1902	1223933	CECA-CH 15P J NP0 0603 BAW SPE0030A315

C1903	1223933	CECA-CH 15P J NP0 0603 BAW SPE0030A315
C1904	1223933	CECA-CH 15P J NP0 0603 BAW SPE0030A315
C1905	1223933	CECA-CH 15P J NP0 0603 BAW SPE0030A315
C1906	1223933	CECA-CH 15P J NP0 0603 BAW SPE0030A315
C1907	1223933	CECA-CH 15P J NP0 0603 BAW SPE0030A315
C204	1173324	CECA-CH 1N J NP0 0805 BAW SPE0003A315
C206	1119176	CECA-CH 22N J X7R 0805 BAW SPE0014A315
C207	1119125	CECA-CH 10N K X7R 0805 BAW SPE0015A315
C209	1249150	ELCA 22U M 16V BAW SPE0067A312-RM2,5
C210	1119176	CECA-CH 22N J X7R 0805 BAW SPE0014A315
C211	1073516	CECA-CH 150P J NP0 0805 BAW SPE0003A315
C212	1166751	CECA-CH 4N7 K X7R 0805 BAW SPE0015A315
C213	1276220	CECA-CH 2N2 J X7R 0805 50V BAW SPE0014A
C214	1119176	CECA-CH 22N J X7R 0805 BAW SPE0014A315
C215	1182943	CECA-CH 47N K X7R 0805 BAW SPE0015A315
C217	1119176	CECA-CH 22N J X7R 0805 BAW SPE0014A315
C218	1066110	CECA-CH 470P J NP0 0805 BAW SPE0003A315
C219	1119125	CECA-CH 10N K X7R 0805 BAW SPE0015A315
C226	1234897	CECA-CH 150P J P2H 0603 MUR GRM39
C227	1270788	CECA-CH 1N2 J S2H 1206 50V MUR GRM42-6
C232	1258877	ELCA 4U7 M 50V G BAW SPE0049A31 RM2,5
C233	1258877	ELCA 4U7 M 50V G BAW SPE0049A31 RM2,5
C234	1119192	CECA-CH 33N K X7R 0805 BAW SPE0015A315
C235	1246321	CECA-CH 220N K X7R 1206 BAW SPE0036A315
C236	1173324	CECA-CH 1N J NP0 0805 BAW SPE0003A315
C237	1246348	CECA-CH 100N K X7R 0805 BAW SPE0035A315
C238	1246348	CECA-CH 100N K X7R 0805 BAW SPE0035A315
C239	1246348	CECA-CH 100N K X7R 0805 BAW SPE0035A315
C240	1246348	CECA-CH 100N K X7R 0805 BAW SPE0035A315
C241	1246348	CECA-CH 100N K X7R 0805 BAW SPE0035A315
C251	1166751	CECA-CH 4N7 K X7R 0805 BAW SPE0015A315
C252	1272357	TACA-CH 6U8 K B G 16V SNPB SIE B45196-H
C253	1246348	CECA-CH 100N K X7R 0805 BAW SPE0035A315
C281	1246348	CECA-CH 100N K X7R 0805 BAW SPE0035A315
C282	1223976	CECA-CH 47P J NP0 0603 BAW SPE0030A315
C283	1223984	CECA-CH 68P J NP0 0603 BAW SPE0030A315
C284	1156561	CECA-CH 560P J NP0 0805 BAW SPE0003A315
C285	1066102	CECA-CH 330P J NP0 0805 BAW SPE0003A315
C286	1258877	ELCA 4U7 M 50V G BAW SPE0049A31 RM2,5
C301	1119125	CECA-CH 10N K X7R 0805 BAW SPE0015A315
C303	1246321	CECA-CH 220N K X7R 1206 BAW SPE0036A315
C304	1246348	CECA-CH 100N K X7R 0805 BAW SPE0035A315
C310	1246348	CECA-CH 100N K X7R 0805 BAW SPE0035A315
C312	1258877	ELCA 4U7 M 50V G BAW SPE0049A31 RM2,5
C314	1223976	CECA-CH 47P J NP0 0603 BAW SPE0030A315
C315	1223984	CECA-CH 68P J NP0 0603 BAW SPE0030A315
C317	1223941	CECA-CH 18P J NP0 0603 BAW SPE0030A315

C319	1246348	CECA-CH 100N K X7R 0805 BAW SPE0035A315
C321	1246348	CECA-CH 100N K X7R 0805 BAW SPE0035A315
C322	1119060	CECA-CH 1N K X7R 0805 BAW SPE0015A315
C323	1246348	CECA-CH 100N K X7R 0805 BAW SPE0035A315
C324	1173324	CECA-CH 1N J NP0 0805 BAW SPE0003A315
C325	1173324	CECA-CH 1N J NP0 0805 BAW SPE0003A315
C327	1223968	CECA-CH 33P J NP0 0603 BAW SPE0030A315
C328	1258877	ELCA 4U7 M 50V G BAW SPE0049A31 RM2,5
C329	1249150	ELCA 22U M 16V BAW SPE0067A312-RM2,5
C330	1173324	CECA-CH 1N J NP0 0805 BAW SPE0003A315
C331	1182943	CECA-CH 47N K X7R 0805 BAW SPE0015A315
C332	1246380	CECA-CH 3P9 C NP0 0603 BAW SPE0031A315
C333	1246348	CECA-CH 100N K X7R 0805 BAW SPE0035A315
C334	1246208	CECA-CH 330N J X7R 1206 25V MUR GRM42-6
C335	1246208	CECA-CH 330N J X7R 1206 25V MUR GRM42-6
C336	1182943	CECA-CH 47N K X7R 0805 BAW SPE0015A315
C337	1258796	CECA-CH 56P J S2H 0603 50V MUR GRM39
C338	1246348	CECA-CH 100N K X7R 0805 BAW SPE0035A315
C339	1182943	CECA-CH 47N K X7R 0805 BAW SPE0015A315
C340	1244035	CECA-CH 560P J U2J 0603 MUR GRM39
C343	1182943	CECA-CH 47N K X7R 0805 BAW SPE0015A315
C344	1225545	CECA-CH 120P J 0603 NP0 BAW SPE0030A315
C345	1246348	CECA-CH 100N K X7R 0805 BAW SPE0035A315
C346	1162241	CECA-CH 470P G NP0 0805 BAW SPE0027A315
C347	1162284	CECA-CH 560P G NP0 0805 BAW SPE0027A315
C348	1162365	CECA-CH 2N G NP0 1206 BAW SPE0028A315
C349	1162322	CECA-CH 1N G NP0 1206 BAW SPE0028A315
C350	1270540	CECA-CH 560P J NPO 0603 50V MUR GRM39
C352	1234536	CECA-CH 100P J NP0 0603 BAW SPE0030A315
C353	1234536	CECA-CH 100P J NP0 0603 BAW SPE0030A315
C354	1283499	CECA-CH 1U K X7R 0805 10V MUR GRM 40
C355	1233971	CECA-CH 10P J NP0 0603 BAW SPE0030A315
C356	1246348	CECA-CH 100N K X7R 0805 BAW SPE0035A315
C357	1223933	CECA-CH 15P J NP0 0603 BAW SPE0030A315
C365	1243012	CECA-CH 27P J NPO 0603 BAW SPE0030A315
C368	1246348	CECA-CH 100N K X7R 0805 BAW SPE0035A315
C374	1173324	CECA-CH 1N J NP0 0805 BAW SPE0003A315
C375	1259253	CECA-CH 220P J NPO 0603 BAW SPE0030A315
C380	1249150	ELCA 22U M 16V BAW SPE0067A312-RM2,5
C423	1258877	ELCA 4U7 M 50V G BAW SPE0049A31 RM2,5
C424	1258907	ALCA-CH 1U M 50V I G BAW SPE0161A312
C425	1182943	CECA-CH 47N K X7R 0805 BAW SPE0015A315
C426	1182943	CECA-CH 47N K X7R 0805 BAW SPE0015A315
C427	1246348	CECA-CH 100N K X7R 0805 BAW SPE0035A315
C428	1258877	ELCA 4U7 M 50V G BAW SPE0049A31 RM2,5
C429	1255711	CECA-CH 220N J X7R 1206 BAW SPE0037A315
C430	1255711	CECA-CH 220N J X7R 1206 BAW SPE0037A315

C431	1255711	CECA-CH 220N J X7R 1206 BAW SPE0037A315
C432	1255711	CECA-CH 220N J X7R 1206 BAW SPE0037A315
C433	1083945	CECA-CH 2N7 J NP0 1206 BAW SPE0007A315
C434	1083945	CECA-CH 2N7 J NP0 1206 BAW SPE0007A315
C435	1258877	ELCA 4U7 M 50V G BAW SPE0049A31 RM2,5
C436	1246348	CECA-CH 100N K X7R 0805 BAW SPE0035A315
C437	1119125	CECA-CH 10N K X7R 0805 BAW SPE0015A315
C438	1119176	CECA-CH 22N J X7R 0805 BAW SPE0014A315
C439	1258877	ELCA 4U7 M 50V G BAW SPE0049A31 RM2,5
C440	1258877	ELCA 4U7 M 50V G BAW SPE0049A31 RM2,5
C441	1258877	ELCA 4U7 M 50V G BAW SPE0049A31 RM2,5
C442	1258877	ELCA 4U7 M 50V G BAW SPE0049A31 RM2,5
C449	1246348	CECA-CH 100N K X7R 0805 BAW SPE0035A315
C450	1119060	CECA-CH 1N K X7R 0805 BAW SPE0015A315
C451	1182943	CECA-CH 47N K X7R 0805 BAW SPE0015A315
C452	1066102	CECA-CH 330P J NP0 0805 BAW SPE0003A315
C453	1119060	CECA-CH 1N K X7R 0805 BAW SPE0015A315
C454	1119060	CECA-CH 1N K X7R 0805 BAW SPE0015A315
C455	1258877	ELCA 4U7 M 50V G BAW SPE0049A31 RM2,5
C456	1223976	CECA-CH 47P J NP0 0603 BAW SPE0030A315
C457	1119117	CECA-CH 10N J X7R 0805 BAW SPE0014A315
C458	1119079	CECA-CH 2N7 K X7R 0805 BAW SPE0015A315
C459	1119117	CECA-CH 10N J X7R 0805 BAW SPE0014A315
C460	1246348	CECA-CH 100N K X7R 0805 BAW SPE0035A315
C461	1119079	CECA-CH 2N7 K X7R 0805 BAW SPE0015A315
C471	1171984	ELCA 10U M 35V G BAW SPE0053A31 RM2,5
C472	1083899	CECA-CH 820P J NP0 1206 BAW SPE0006A315
C473	1171984	ELCA 10U M 35V G BAW SPE0053A31 RM2,5
C474	1083899	CECA-CH 820P J NP0 1206 BAW SPE0006A315
C475	1223976	CECA-CH 47P J NP0 0603 BAW SPE0030A315
C483	1253441	FOCA-CH 10N J 1206 50V G PAN ECHU
C484	1253441	FOCA-CH 10N J 1206 50V G PAN ECHU
C485	1258877	ELCA 4U7 M 50V G BAW SPE0049A31 RM2,5
C486	1258877	ELCA 4U7 M 50V G BAW SPE0049A31 RM2,5
C487	1171984	ELCA 10U M 35V G BAW SPE0053A31 RM2,5
C488	1246348	CECA-CH 100N K X7R 0805 BAW SPE0035A315
C501	1186973	ELCA 1M M 25V G BAW SPE0074A312-RM5
C502	1246348	CECA-CH 100N K X7R 0805 BAW SPE0035A315
C506	1281641	FOCA 470N J 50V G BAW SPE0018A314 RM5
C507	1281641	FOCA 470N J 50V G BAW SPE0018A314 RM5
C508	1281641	FOCA 470N J 50V G BAW SPE0018A314 RM5
C509	1281641	FOCA 470N J 50V G BAW SPE0018A314 RM5
C521	1246348	CECA-CH 100N K X7R 0805 BAW SPE0035A315
C522	1246348	CECA-CH 100N K X7R 0805 BAW SPE0035A315
C523	1246348	CECA-CH 100N K X7R 0805 BAW SPE0035A315
C524	1246348	CECA-CH 100N K X7R 0805 BAW SPE0035A315
C525	1246348	CECA-CH 100N K X7R 0805 BAW SPE0035A315

C526	1246348	CECA-CH 100N K X7R 0805 BAW SPE0035A315
C527	1246348	CECA-CH 100N K X7R 0805 BAW SPE0035A315
C528	1246348	CECA-CH 100N K X7R 0805 BAW SPE0035A315
C601	1246348	CECA-CH 100N K X7R 0805 BAW SPE0035A315
C602	1246348	CECA-CH 100N K X7R 0805 BAW SPE0035A315
C603	1246348	CECA-CH 100N K X7R 0805 BAW SPE0035A315
C604	1290282	ELCA 2M2 M 25V G BAW SPE0084A312RM7,5
C605	1246348	CECA-CH 100N K X7R 0805 BAW SPE0035A315
C606	1246348	CECA-CH 100N K X7R 0805 BAW SPE0035A315
C607	1253360	ELCA 56U M 2000/105 16V NCC SXE-VB F0
C609	1246348	CECA-CH 100N K X7R 0805 BAW SPE0035A315
C610	1253360	ELCA 56U M 2000/105 16V NCC SXE-VB F0
C611	1234536	CECA-CH 100P J NP0 0603 BAW SPE0030A315
C612	1249150	ELCA 22U M 16V BAW SPE0067A312-RM2,5
C613	1246348	CECA-CH 100N K X7R 0805 BAW SPE0035A315
C614	1119125	CECA-CH 10N K X7R 0805 BAW SPE0015A315
C616	1119125	CECA-CH 10N K X7R 0805 BAW SPE0015A315
C617	1073516	CECA-CH 150P J NP0 0805 BAW SPE0003A315
C618	1119125	CECA-CH 10N K X7R 0805 BAW SPE0015A315
C619	1119125	CECA-CH 10N K X7R 0805 BAW SPE0015A315
C620	1119125	CECA-CH 10N K X7R 0805 BAW SPE0015A315
C621	1119125	CECA-CH 10N K X7R 0805 BAW SPE0015A315
C622	1229974	ELCA 100U M 25V I G BAW SPE0108 RM2,5
C623	1119125	CECA-CH 10N K X7R 0805 BAW SPE0015A315
C626	1119125	CECA-CH 10N K X7R 0805 BAW SPE0015A315
C627	1119125	CECA-CH 10N K X7R 0805 BAW SPE0015A315
C628	1246348	CECA-CH 100N K X7R 0805 BAW SPE0035A315
C629	1119117	CECA-CH 10N J X7R 0805 BAW SPE0014A315
C702	1281437	FOCA 100N J 63V G BAW SPE0015A314 RM5
C704	1258877	ELCA 4U7 M 50V G BAW SPE0049A31 RM2,5
C705	1281283	FOCA 15N J 63V G BAW SPE0010A314 RM5
C706	1275992	CECA-CH 330P J NP0 0603 BAW SPE0030A315
C707	1275992	CECA-CH 330P J NP0 0603 BAW SPE0030A315
C712	1281437	FOCA 100N J 63V G BAW SPE0015A314 RM5
C714	1258877	ELCA 4U7 M 50V G BAW SPE0049A31 RM2,5
C715	1281283	FOCA 15N J 63V G BAW SPE0010A314 RM5
C716	1275992	CECA-CH 330P J NP0 0603 BAW SPE0030A315
C717	1275992	CECA-CH 330P J NP0 0603 BAW SPE0030A315
C720	1249150	ELCA 22U M 16V BAW SPE0067A312-RM2,5
C721	1252585	CECA-CH 470N J X5R 1206 16V MUR GRM42-6
C722	1166751	CECA-CH 4N7 K X7R 0805 BAW SPE0015A315
C723	1246348	CECA-CH 100N K X7R 0805 BAW SPE0035A315
C724	1246348	CECA-CH 100N K X7R 0805 BAW SPE0035A315
C725	1172085	ELCA 100U M 16V G BAW SPE0063A3 RM2,5
C726	1281372	FOCA 68N J 63V G BAW SPE0014A314 RM5
C727	1281372	FOCA 68N J 63V G BAW SPE0014A314 RM5
C780	1246348	CECA-CH 100N K X7R 0805 BAW SPE0035A315

C781	1258877	ELCA 4U7 M 50V G BAW SPE0049A31 RM2,5
C782	1246348	CECA-CH 100N K X7R 0805 BAW SPE0035A315
C783	1171984	ELCA 10U M 35V G BAW SPE0053A31 RM2,5
C784	1246348	CECA-CH 100N K X7R 0805 BAW SPE0035A315
C785	1223968	CECA-CH 33P J NP0 0603 BAW SPE0030A315
C786	1119125	CECA-CH 10N K X7R 0805 BAW SPE0015A315
C788	1246348	CECA-CH 100N K X7R 0805 BAW SPE0035A315
C789	1246348	CECA-CH 100N K X7R 0805 BAW SPE0035A315
C790	1223951	CECA-CH 22P J NP0 0603 BAW SPE0030A315
C791	1223951	CECA-CH 22P J NP0 0603 BAW SPE0030A315
C792	1233971	CECA-CH 10P J NP0 0603 BAW SPE0030A315
C793	1233971	CECA-CH 10P J NP0 0603 BAW SPE0030A315
C794	1233971	CECA-CH 10P J NP0 0603 BAW SPE0030A315
C795	1233971	CECA-CH 10P J NP0 0603 BAW SPE0030A315
C796	1233971	CECA-CH 10P J NP0 0603 BAW SPE0030A315
C797	1233971	CECA-CH 10P J NP0 0603 BAW SPE0030A315
C798	1234536	CECA-CH 100P J NP0 0603 BAW SPE0030A315
C799	1173324	CECA-CH 1N J NP0 0805 BAW SPE0003A315
C801	1258907	ALCA-CH 1U M 50V I G BAW SPE0161A312
C802	1171895	ELCA 2U2 M 50V G BAW SPE0044A3 RM2,5
C803	1258907	ALCA-CH 1U M 50V I G BAW SPE0161A312
C805	1113259	CECA-CH 1N K X7R 1206 BAW SPE0017A315
C806	1234536	CECA-CH 100P J NP0 0603 BAW SPE0030A315
C807	1234536	CECA-CH 100P J NP0 0603 BAW SPE0030A315
C808	1234536	CECA-CH 100P J NP0 0603 BAW SPE0030A315
C809	1234536	CECA-CH 100P J NP0 0603 BAW SPE0030A315
C810	1234536	CECA-CH 100P J NP0 0603 BAW SPE0030A315
C811	1234536	CECA-CH 100P J NP0 0603 BAW SPE0030A315
C812	1234536	CECA-CH 100P J NP0 0603 BAW SPE0030A315
C813	1234536	CECA-CH 100P J NP0 0603 BAW SPE0030A315
C814	1234536	CECA-CH 100P J NP0 0603 BAW SPE0030A315
C815	1234536	CECA-CH 100P J NP0 0603 BAW SPE0030A315
C816	1234536	CECA-CH 100P J NP0 0603 BAW SPE0030A315
C817	1234536	CECA-CH 100P J NP0 0603 BAW SPE0030A315
C818	1234536	CECA-CH 100P J NP0 0603 BAW SPE0030A315
C819	1234536	CECA-CH 100P J NP0 0603 BAW SPE0030A315
C820	1234536	CECA-CH 100P J NP0 0603 BAW SPE0030A315
C821	1229974	ELCA 100U M 25V I G BAW SPE0108 RM2,5
C850	1182943	CECA-CH 47N K X7R 0805 BAW SPE0015A315
C851	1246348	CECA-CH 100N K X7R 0805 BAW SPE0035A315
C852	1119125	CECA-CH 10N K X7R 0805 BAW SPE0015A315
C854	1246348	CECA-CH 100N K X7R 0805 BAW SPE0035A315
C856	1246348	CECA-CH 100N K X7R 0805 BAW SPE0035A315
C857	1246348	CECA-CH 100N K X7R 0805 BAW SPE0035A315
C908	1223951	CECA-CH 22P J NP0 0603 BAW SPE0030A315
C909	1223951	CECA-CH 22P J NP0 0603 BAW SPE0030A315
C919	1246348	CECA-CH 100N K X7R 0805 BAW SPE0035A315

C928	1246348	CECA-CH 100N K X7R 0805 BAW SPE0035A315
C929	1246348	CECA-CH 100N K X7R 0805 BAW SPE0035A315
C939	1246348	CECA-CH 100N K X7R 0805 BAW SPE0035A315
C949	1246348	CECA-CH 100N K X7R 0805 BAW SPE0035A315
C958	1246348	CECA-CH 100N K X7R 0805 BAW SPE0035A315
C968	1246348	CECA-CH 100N K X7R 0805 BAW SPE0035A315
C969	1246348	CECA-CH 100N K X7R 0805 BAW SPE0035A315
C980	1246348	CECA-CH 100N K X7R 0805 BAW SPE0035A315
C981	1246348	CECA-CH 100N K X7R 0805 BAW SPE0035A315
D101	1156128	INDUCTOR-CH G MUR BLM21B050S
D102	1178237	CHOKE-CH 2,2UH K G SIE B82422-A1222-K
D1102	1178237	CHOKE-CH 2,2UH K G SIE B82422-A1222-K
D152	1246811	CHOKE-CH 47UH K G SIE B82432-A1473-K
D1801	1227221	INDUCTOR-CH G MUR BLM11A221S
D1802	1227221	INDUCTOR-CH G MUR BLM11A221S
D301	1178237	CHOKE-CH 2,2UH K G SIE B82422-A1222-K
D302	1148494	CHOKE-CH 0,47UH J G SIE B82422-A3471-J
D472	1237705	INDUCTOR-CH G MUR BLM21A601S
D601	1244922	CHOKE,BATT.- 200UH VOG 5730409900
D602	1237705	INDUCTOR-CH G MUR BLM21A601S
D603	1237705	INDUCTOR-CH G MUR BLM21A601S
D604	1237705	INDUCTOR-CH G MUR BLM21A601S
D780	1237705	INDUCTOR-CH G MUR BLM21A601S
D781	1000950	CHOKE-CH 47UH K G SIE B82422-A1473-K
D901	1237705	INDUCTOR-CH G MUR BLM21A601S
D909	1237705	INDUCTOR-CH G MUR BLM21A601S
D920	1237705	INDUCTOR-CH G MUR BLM21A601S
D930	1237705	INDUCTOR-CH G MUR BLM21A601S
D980	1237705	INDUCTOR-CH G MUR BLM21A601S
DI101	1183710	DIODE-CH BAW BB814 GRPP-1/2 G SPE0043A30
DI102	1183710	DIODE-CH BAW BB814 GRPP-1/2 G SPE0043A30
DI103	1183710	DIODE-CH BAW BB814 GRPP-1/2 G SPE0043A30
DI104	1225529	DIODE-CH TEL S391D G
DI1101	1183710	DIODE-CH BAW BB814 GRPP-1/2 G SPE0043A30
DI1102	1183710	DIODE-CH BAW BB814 GRPP-1/2 G SPE0043A30
DI1103	1183710	DIODE-CH BAW BB814 GRPP-1/2 G SPE0043A30
DI1104	1225529	DIODE-CH TEL S391D G
DI1801	1252143	DIODE-CH PHI BAS216 G
DI1802	1252143	DIODE-CH PHI BAS216 G
DI1803	1252143	DIODE-CH PHI BAS216 G
DI1804	1252143	DIODE-CH PHI BAS216 G
DI231	1252143	DIODE-CH PHI BAS216 G
DI251	1252143	DIODE-CH PHI BAS216 G
DI301	1229788	DIODE-CH BAW BA779-2/1SV234/DPA05 G SPE
DI302	1252143	DIODE-CH PHI BAS216 G
DI304	1252143	DIODE-CH PHI BAS216 G
DI305	1252143	DIODE-CH PHI BAS216 G

DI306	1073656	DIODE-CH BAW BAV99 SHIP-TO-ST.G SPE0030A	
DI311	1252143	DIODE-CH PHI BAS216 G	
DI321	1183710	DIODE-CH BAW BB814 GRPP-1/2 G SPE0043A30	
DI501	1252143	DIODE-CH PHI BAS216 G	
DI601	1179683	DIODE-CH GIC S3B G	
DI603	1118757	DIODE-CH BAW 6V8 5% SHIP-TO-STOCK G SPE0	
DI604	1252143	DIODE-CH PHI BAS216 G	
DI605	1252143	DIODE-CH PHI BAS216 G	
DI606	1252143	DIODE-CH PHI BAS216 G	
DI607	1252143	DIODE-CH PHI BAS216 G	
DI784	1148842	DIODE-CH BAW 4V7 SHIP-TO-STOCK G SPE0022	
DI785	0672475	DIODE-CH BAW BAV70 SHIP-TO-STOCK G SPE00	
DI801	1043587	DIODE-CH BAW BAW56 SHIP-TO ST.G SPE0028A	
DI850	1252143	DIODE-CH PHI BAS216 G	
DI851	1043587	DIODE-CH BAW BAW56 SHIP-TO ST.G SPE0028A	
DI852	1252143	DIODE-CH PHI BAS216 G	
DI853	1252143	DIODE-CH PHI BAS216 G	
DI854	1252143	DIODE-CH PHI BAS216 G	
DI855	1252143	DIODE-CH PHI BAS216 G	
DI856	1076353	DIODE-CH BAW 5V6 2% SHIP-TO-STOCK G SPE0	
DI857	1252143	DIODE-CH PHI BAS216 G	
F102	1270486	FILTER, FMV- 100MHZ TOK/P666SNS-286IB-BR	
F104	1253395	FILTER, FMZ- 100MHZ TOK/P666SNS-256Z-RT	
F105	1284827	FILTER,AMO/FMO-120MHZ TOK VAG,VWA,GEA	
F1102	1253395	FILTER, FMZ- 100MHZ TOK/P666SNS-256Z-RT	
F1104	1253395	FILTER, FMZ- 100MHZ TOK/P666SNS-256Z-RT	
F1105	1284827	FILTER,AMO/FMO-120MHZ TOK VAG,VWA,GEA	
F1201	1270291	FILTER, FM-ZF- 10,7MHZ TOK C805PN-0642UH	
F1204	1291637	FILTER,FM-PHASENKR.-10,7MHZ MSI RA7008-2	
F201	1270291	FILTER, FM-ZF- 10,7MHZ TOK C805PN-0642UH	
F204	1291637	FILTER,FM-PHASENKR.-10,7MHZ MSI RA7008-2	
F321	1284827	FILTER,AMO/FMO-120MHZ TOK VAG,VWA,GEA	
F341	1246003	FILTER, AM-ZF 450KHZ TOK C805LN-0586N-SW	
F342	1258028	FILTER,AM-ZF1- 10,7MHZ TOK C805PN-0640-U	
F343	1275984	FILTER, AM-PH 450KHZ SGM5CG-960954187-SW	
IC101	1223518	IC-CH TEL U4065B-MFL G	
IC1101	1223518	IC-CH TEL U4065B-MFL G	
IC1151	1223526	IC-CH TEL U4283BM-BFS G	
IC1201	1220357	IC-CH SIE TDA4320X G	
IC1231	1239139	IC-CH TEL U4275B	
IC1281	1155431	IC-CH PHI SAA6579T/V1 SHIP-TO-STOCK	
IC151	1223526	IC-CH TEL U4283BM-BFS G	
IC1801	1254790	IC-DIE SEP SED1530 DOA	
IC1802	1299662	IC-CH NEC UPD 754302-3200-04/98	
IC1804	1277057	IC-CH NSC LM2904 M	
IC1881	1254650	HOLDER IR (FOR IC1881)	
IC1881	1287931	IR SENSOR GBG+GSN	3300

IC201	1220357	IC-CH SIE TDA4320X G
IC231	1239139	IC-CH TEL U4275B
IC281	1155431	IC-CH PHI SAA6579T/V1 SHIP-TO-STOCK
IC301	1254308	IC-CH SIE TDA4362-P-MQFP-44-2 G
IC421	1247921	IC-CH SGT TDA7340TR G
IC471	1250477	IC-CH CRY CS4331-BSR G
IC472	1250485	IC-CH CRY CS5331A-BSR G
IC501	1271180	IC PHI TDA8569Q /N1
IC601	1240481	IC-CH SIE BSP452 G
IC602	1258397	IC-CH SIE TLE4276GV P-TO220-5-122
IC603	1246674	IC-CH SIE TLE4269GL P-DSO20-6 G
IC604	1286242	IC-CH TOS TC7S14F G
IC701	1254596	IC-CH SOY CXA2511Q
IC702	1245996	IC-CH PHI 74HC03D,653 G
IC780	1239147	IC-CH AUM OCC8001-01
IC781	1249101	IC-CH TOS TC7S08F G
IC881	1270362	IC SOY SBX8035F -IR SENSOR
IC901	1245058	IC-CH SIE SAF-C515C-8R P-MQFP-80
IC902	1185616	IC-CH PHI PC74HC573D G
IC903	1230964	IC-SOCKET 2POL STANDARD BAW SPE000
IC903	1323571	IC BAW 27C1001 3300 40/98 3300
IC904	1249411	IC-CH BAW LC35256DM/CXK58257AM SPE0021A3
IC905	1185616	IC-CH PHI PC74HC573D G
IC906	1185616	IC-CH PHI PC74HC573D G
IC909	0588121	IC-CH PHI PC74HC02D G
IC980	1012071	IC-CH BAW 74HC4094 G SPE0005A308
IC981	1012071	IC-CH BAW 74HC4094 G SPE0005A308
KF1201	1306987	K-FILT MUR SFE 10,7 MS3A10GJ24-A-S-TF21
KF1202	1306987	K-FILT MUR SFE 10,7 MS3A10GJ24-A-S-TF21
KF1203	1307010	K-FILT.MUR SFE 10,7MHZ MJA10J24-A-S-TF21
KF1204	1306987	K-FILT MUR SFE 10,7 MS3A10GJ24-A-S-TF21
KF201	1306987	K-FILT MUR SFE 10,7 MS3A10GJ24-A-S-TF21
KF202	1306987	K-FILT MUR SFE 10,7 MS3A10GJ24-A-S-TF21
KF203	1307010	K-FILT.MUR SFE 10,7MHZ MJA10J24-A-S-TF21
KF204	1306987	K-FILT MUR SFE 10,7 MS3A10GJ24-A-S-TF21
KF341	1237713	CERA-FILTER MUR CFWS 450 IT
KF343	1237721	CERA-FILTER MUR CFWS 450 HT
L101	1235915	COIL 14WDG 4,0 0,4 1088
L312	1252615	CHOKE-CH 220UH K G SIE B82432-S1224-K
L313	1252615	CHOKE-CH 220UH K G SIE B82432-S1224-K
L315	1245368	CHOKE-CH 68UH K G SIE B82432-S1683-K
L317	1245368	CHOKE-CH 68UH K G SIE B82432-S1683-K
L320	1252615	CHOKE-CH 220UH K G SIE B82432-S1224-K
L322	1249398	CHOKE-CH 2,2MH K G MSI C6-R/3333
L380	1000942	CHOKE-CH 10UH K G SIE B82422-A1103-K
LD1801	1285122	LED-CH SIE LYT670E9349 K2/U Q62703-Q4228
LD1802	1285122	LED-CH SIE LYT670E9349 K2/U Q62703-Q4228

LD1803	1285084	LED-CH SIE LYA676E9349 P2/U Q62703-Q4232
LD1804	1285084	LED-CH SIE LYA676E9349 P2/U Q62703-Q4232
LD1805	1285084	LED-CH SIE LYA676E9349 P2/U Q62703-Q4232
LD1806	1285084	LED-CH SIE LYA676E9349 P2/U Q62703-Q4232
LD1807	1285084	LED-CH SIE LYA676E9349 P2/U Q62703-Q4232
LD1808	1285084	LED-CH SIE LYA676E9349 P2/U Q62703-Q4232
LD1809	1285084	LED-CH SIE LYA676E9349 P2/U Q62703-Q4232
LD1810	1285084	LED-CH SIE LYA676E9349 P2/U Q62703-Q4232
LD1811	1285084	LED-CH SIE LYA676E9349 P2/U Q62703-Q4232
LD1812	1285084	LED-CH SIE LYA676E9349 P2/U Q62703-Q4232
LD1813	1285084	LED-CH SIE LYA676E9349 P2/U Q62703-Q4232
LD1814	1285084	LED-CH SIE LYA676E9349 P2/U Q62703-Q4232
LD1831	1285122	LED-CH SIE LYT670E9349 K2/U Q62703-Q4228
LD1832	1285122	LED-CH SIE LYT670E9349 K2/U Q62703-Q4228
LD1833	1285122	LED-CH SIE LYT670E9349 K2/U Q62703-Q4228
LD1834	1285122	LED-CH SIE LYT670E9349 K2/U Q62703-Q4228
LD1835	1285122	LED-CH SIE LYT670E9349 K2/U Q62703-Q4228
LD1836	1285122	LED-CH SIE LYT670E9349 K2/U Q62703-Q4228
LD1837	1285122	LED-CH SIE LYT670E9349 K2/U Q62703-Q4228
LD1838	1285122	LED-CH SIE LYT670E9349 K2/U Q62703-Q4228
LD1839	1285122	LED-CH SIE LYT670E9349 K2/U Q62703-Q4228
LD1840	1285122	LED-CH SIE LYT670E9349 K2/U Q62703-Q4228
LD1841	1285122	LED-CH SIE LYT670E9349 K2/U Q62703-Q4228
LD1842	1285122	LED-CH SIE LYT670E9349 K2/U Q62703-Q4228
LD1843	1285122	LED-CH SIE LYT670E9349 K2/U Q62703-Q4228
LD1844	1285122	LED-CH SIE LYT670E9349 K2/U Q62703-Q4228
LD1845	1285122	LED-CH SIE LYT670E9349 K2/U Q62703-Q4228
LD1846	1285122	LED-CH SIE LYT670E9349 K2/U Q62703-Q4228
LD1847	1285122	LED-CH SIE LYT670E9349 K2/U Q62703-Q4228
LD1848	1285122	LED-CH SIE LYT670E9349 K2/U Q62703-Q4228
LD1849	1285122	LED-CH SIE LYT670E9349 K2/U Q62703-Q4228
LD1850	1285122	LED-CH SIE LYT670E9349 K2/U Q62703-Q4228
LD1851	1285122	LED-CH SIE LYT670E9349 K2/U Q62703-Q4228
LD1852	1285122	LED-CH SIE LYT670E9349 K2/U Q62703-Q4228
LD1853	1285122	LED-CH SIE LYT670E9349 K2/U Q62703-Q4228
LD1854	1285122	LED-CH SIE LYT670E9349 K2/U Q62703-Q4228
LD1855	1285084	LED-CH SIE LYA676E9349 P2/U Q62703-Q4232
LD1861	1158767	LED-CH SIE LST670 G -RT
OT780	1248121	TRANSCEIVER AMP 966893 D2BOPTICAL-HEADER
P251	1245090	TRICA-CH 5K LIN 0,10W MUR RVG3A08-
P701	1246615	TRICA-CH 10K 0,10W MUR POZ3AN1-103N-T00
P702	1246615	TRICA-CH 10K 0,10W MUR POZ3AN1-103N-T00
Q1231	1245112	CERA-RESON-CH MUR CSBF456JF211 G
Q1281	1277898	QUARTZ 4,332MHZ G NDK AT-51
Q151	1280279	QUARTZ 10,250 MHZ G NDK AT-51 M.ISOPL.
Q1801	1171501	CERA-RESON-CH MUR CSAC 4,19 MGCA G
Q281	1277898	QUARTZ 4,332MHZ G NDK AT-51

Q451	1245112	CERA-RESON-CH MUR CSBF456JF211 G
Q780	1283464	QUARTZ 16,9344 MHZ G NDK AT-51 M.ISOPL.
Q901	1295691	QUARTZ 10MHZ TQG TQX6674 MIT ISOPL.
QF342	1287796	QUARTZ-FILTER-CH 10,700 MHZ NDK 10U 7,5A
R101	1304402	CAP-CH 470R F 0603 BAW SPE0027A323
R102	1254332	CAP-CH 47K F 0603 G BAW SPE0028A323
R103	1304224	CAP-CH 39R F 0603 BAW SPE0027A323
R104	1304895	CAP-CH 100R F 0805 G BAW SPE0017A323
R105	1277588	CAP-CH 330K F 0603 G BAW SPE 0028A323
R106	1271199	CAP-CH 56K F 0603 G BAW SPE0028A323
R1101	1304161	CAP-CH 10R F 0603 BAW SPE0027A323
R1102	1297058	CAP-CH 22K F 0603 G BAW SPE0028A323
R1104	1304283	CAP-CH 100R F 0603 BAW SPE0027A323
R1105	1277588	CAP-CH 330K F 0603 G BAW SPE 0028A323
R1108	1305131	CAP-CH 68K F 0603 BAW SPE0028A323
R1112	1304895	CAP-CH 100R F 0805 G BAW SPE0017A323
R112	1304895	CAP-CH 100R F 0805 G BAW SPE0017A323
R1121	1305131	CAP-CH 68K F 0603 BAW SPE0028A323
R1122	1305131	CAP-CH 68K F 0603 BAW SPE0028A323
R1125	1297041	CAP-CH 10K F 0603 G BAW SPE0028A323
R1129	1254022	CAP-CH 2K2 F 0603 G BAW SPE0028A323
R1130	1291181	CAP-CH 5K6 F 0603 G BAW SPE0028A323
R1151	1304445	CAP-CH 1K F 0603 BAW SPE0028A323
R1152	1304445	CAP-CH 1K F 0603 BAW SPE0028A323
R1163	1297058	CAP-CH 22K F 0603 G BAW SPE0028A323
R1165	1304194	CAP-CH 27R F 0603 BAW SPE0027A323
R1166	1254022	CAP-CH 2K2 F 0603 G BAW SPE0028A323
R1202	1312928	CAP-CH 7K5 F 0603 G BAW SPE 0028A323
R1203	1254448	CAP-CH 27K F 0603 G BAW SPE0028A323
R1208	1304348	CAP-CH 220R F 0603 BAW SPE0027A323
R1209	1304380	CAP-CH 330R F 0603 BAW SPE0027A323
R121	1305131	CAP-CH 68K F 0603 BAW SPE0028A323
R1210	1304380	CAP-CH 330R F 0603 BAW SPE0027A323
R1211	1235389	CAP-CH 2K4 F 0603 G BAW SPE0028A323
R1212	1304259	CAP-CH 68R F 0603 BAW SPE0027A323
R1213	1285564	CAP-CH 4K7 F 0603 G BAW SPE0028A323
R1214	1304781	CAP-CH 10R F 0805 G BAW SPE0017A323
R1216	1304445	CAP-CH 1K F 0603 BAW SPE0028A323
R1217	1305085	CAP-CH 820K F 0603 BAW SPE0028A323
R1218	1258478	CAP-CH 15K F 0603 BAW SPE0028A323
R1219	1305131	CAP-CH 68K F 0603 BAW SPE0028A323
R122	1305131	CAP-CH 68K F 0603 BAW SPE0028A323
R1220	1254332	CAP-CH 47K F 0603 G BAW SPE0028A323
R1226	1304313	CAP-CH 130R F 0603 G BAW SPE0027A323
R1228	1304348	CAP-CH 220R F 0603 BAW SPE0027A323
R1229	1304348	CAP-CH 220R F 0603 BAW SPE0027A323
R123	1254022	CAP-CH 2K2 F 0603 G BAW SPE0028A323

R1231	1304186	CAP-CH 22R F 0603 BAW SPE0027A323
R1232	1297041	CAP-CH 10K F 0603 G BAW SPE0028A323
R1233	1285564	CAP-CH 4K7 F 0603 G BAW SPE0028A323
R1236	1304496	CAP-CH 3K9 F 0603 G BAW SPE0028A323
R1237	1254332	CAP-CH 47K F 0603 G BAW SPE0028A323
R1238	1305093	CAP-CH 1M F 0603 BAW SPE0028A323
R1239	1305093	CAP-CH 1M F 0603 BAW SPE0028A323
R1240	1305093	CAP-CH 1M F 0603 BAW SPE0028A323
R1241	1305093	CAP-CH 1M F 0603 BAW SPE0028A323
R1243	1297058	CAP-CH 22K F 0603 G BAW SPE0028A323
R1246	1297058	CAP-CH 22K F 0603 G BAW SPE0028A323
R1247	1297058	CAP-CH 22K F 0603 G BAW SPE0028A323
R125	1297041	CAP-CH 10K F 0603 G BAW SPE0028A323
R1281	1304781	CAP-CH 10R F 0805 G BAW SPE0017A323
R1282	1271441	CAP-CH 820R F 0805 G BAW SPE0017A323
R130	1291181	CAP-CH 5K6 F 0603 G BAW SPE0028A323
R131	1297041	CAP-CH 10K F 0603 G BAW SPE0028A323
R151	1304445	CAP-CH 1K F 0603 BAW SPE0028A323
R152	1304445	CAP-CH 1K F 0603 BAW SPE0028A323
R153	1297041	CAP-CH 10K F 0603 G BAW SPE0028A323
R154	1297041	CAP-CH 10K F 0603 G BAW SPE0028A323
R155	1297041	CAP-CH 10K F 0603 G BAW SPE0028A323
R156	1297041	CAP-CH 10K F 0603 G BAW SPE0028A323
R157	1254421	CAP-CH 12K F 0603 G BAW SPE0028A323
R158	1304445	CAP-CH 1K F 0603 BAW SPE0028A323
R159	1288415	CAP-CH 6K8 F 0603 G BAW SPE 0028A323
R160	1254421	CAP-CH 12K F 0603 G BAW SPE0028A323
R161	1254421	CAP-CH 12K F 0603 G BAW SPE0028A323
R162	1254421	CAP-CH 12K F 0603 G BAW SPE0028A323
R163	1297058	CAP-CH 22K F 0603 G BAW SPE0028A323
R164	1305158	CAP-CH 100K F 0603 BAW SPE0028A323
R165	1304194	CAP-CH 27R F 0603 BAW SPE0027A323
R166	1254022	CAP-CH 2K2 F 0603 G BAW SPE0028A323
R167	1297041	CAP-CH 10K F 0603 G BAW SPE0028A323
R168	1258486	CAP-CH 39K F 0603 BAW SPE0028A323
R169	1254332	CAP-CH 47K F 0603 G BAW SPE0028A323
R175	1254332	CAP-CH 47K F 0603 G BAW SPE0028A323
R1801	1303511	CAP-CH 560R F 1206 G BAW SPE0015A323
R1802	1303562	CAP-CH 1K2 F 1206 G BAW SPE0016A323
R1803	1303562	CAP-CH 1K2 F 1206 G BAW SPE0016A323
R1804	1303562	CAP-CH 1K2 F 1206 G BAW SPE0016A323
R1805	1303562	CAP-CH 1K2 F 1206 G BAW SPE0016A323
R1806	1303449	CAP-CH 270R F 1206 G BAW SPE0015A323
R1807	1303449	CAP-CH 270R F 1206 G BAW SPE0015A323
R1808	1303449	CAP-CH 270R F 1206 G BAW SPE0015A323
R1809	1226630	CAP-CH 390R F 1206 BAW SPE0015A323
R1810	1226630	CAP-CH 390R F 1206 BAW SPE0015A323

R1811	1226649	CAP-CH 680R F 1206 BAW SPE0015A323
R1812	1226649	CAP-CH 680R F 1206 BAW SPE0015A323
R1813	1226649	CAP-CH 680R F 1206 BAW SPE0015A323
R1814	1226649	CAP-CH 680R F 1206 BAW SPE0015A323
R1816	1304461	CAP-CH 1K5 F 0603 G BAW SPE0028A323
R1817	1304445	CAP-CH 1K F 0603 BAW SPE0028A323
R1821	1226657	CAP-CH 1K F 1206 BAW SPE0016A323
R1822	1293206	CAP-CH 1K5 F 1206 BAW SPE0016A323
R1823	1293206	CAP-CH 1K5 F 1206 BAW SPE0016A323
R1824	1226797	CAP-CH 5K6 F 1206 BAW SPE0016A323
R1831	1304445	CAP-CH 1K F 0603 BAW SPE0028A323
R1832	1297058	CAP-CH 22K F 0603 G BAW SPE0028A323
R1833	1297058	CAP-CH 22K F 0603 G BAW SPE0028A323
R1836	1305158	CAP-CH 100K F 0603 BAW SPE0028A323
R1837	1305093	CAP-CH 1M F 0603 BAW SPE0028A323
R1841	1304283	CAP-CH 100R F 0603 BAW SPE0027A323
R1842	1254332	CAP-CH 47K F 0603 G BAW SPE0028A323
R1843	1305158	CAP-CH 100K F 0603 BAW SPE0028A323
R1844	1305158	CAP-CH 100K F 0603 BAW SPE0028A323
R1845	1305093	CAP-CH 1M F 0603 BAW SPE0028A323
R1846	1305158	CAP-CH 100K F 0603 BAW SPE0028A323
R1847	1305158	CAP-CH 100K F 0603 BAW SPE0028A323
R1848	1297058	CAP-CH 22K F 0603 G BAW SPE0028A323
R1849	1297058	CAP-CH 22K F 0603 G BAW SPE0028A323
R1850	1305093	CAP-CH 1M F 0603 BAW SPE0028A323
R1851	1304331	CAP-CH 180R F 0603 BAW SPE0027A323
R1852	1304305	CAP-CH 120R F 0603 G BAW SPE0027A323
R1854	1304402	CAP-CH 470R F 0603 BAW SPE0027A323
R1861	1307185	NTCRES-CH 10K J 0,50W G SIE C621-Q63
R1862	1291181	CAP-CH 5K6 F 0603 G BAW SPE0028A323
R1863	1258478	CAP-CH 15K F 0603 BAW SPE0028A323
R1864	1253700	CAP-CH 8K2 F 0603 G BAW SPE0028A323
R1865	1304951	CAP-CH 560R F 0805 G BAW SPE0017A323
R1866	1254431	CAP-CH 20K F 0603 G BAW SPE0028A323
R1867	1254431	CAP-CH 20K F 0603 G BAW SPE0028A323
R1870	1297041	CAP-CH 10K F 0603 G BAW SPE0028A323
R1871	1305158	CAP-CH 100K F 0603 BAW SPE0028A323
R1873	1297041	CAP-CH 10K F 0603 G BAW SPE0028A323
R1874	1297041	CAP-CH 10K F 0603 G BAW SPE0028A323
R1875	1254431	CAP-CH 20K F 0603 G BAW SPE0028A323
R1876	1297041	CAP-CH 10K F 0603 G BAW SPE0028A323
R1877	1297041	CAP-CH 10K F 0603 G BAW SPE0028A323
R1878	1307193	NTCRES-CH 470K J 0,3W 1206 G SIE C62
R1881	1304186	CAP-CH 22R F 0603 BAW SPE0027A323
R201	1227661	CAP-CH 0R 0603 BAW SPE0025A323
R202	1312928	CAP-CH 7K5 F 0603 G BAW SPE 0028A323
R204	1271199	CAP-CH 56K F 0603 G BAW SPE0028A323

R205	1305158	CAP-CH 100K F 0603 BAW SPE0028A323
R206	1250531	CAP-CH 200K F 0603 G BAW SPE0028A323
R207	1297058	CAP-CH 22K F 0603 G BAW SPE0028A323
R208	1304348	CAP-CH 220R F 0603 BAW SPE0027A323
R209	1304380	CAP-CH 330R F 0603 BAW SPE0027A323
R210	1304380	CAP-CH 330R F 0603 BAW SPE0027A323
R211	1235389	CAP-CH 2K4 F 0603 G BAW SPE0028A323
R212	1304232	CAP-CH 47R F 0603 G BAW SPE0027A323
R213	1285564	CAP-CH 4K7 F 0603 G BAW SPE0028A323
R214	1304781	CAP-CH 10R F 0805 G BAW SPE0017A323
R216	1304445	CAP-CH 1K F 0603 BAW SPE0028A323
R217	1305085	CAP-CH 820K F 0603 BAW SPE0028A323
R218	1258478	CAP-CH 15K F 0603 BAW SPE0028A323
R219	1305131	CAP-CH 68K F 0603 BAW SPE0028A323
R220	1254332	CAP-CH 47K F 0603 G BAW SPE0028A323
R226	1304313	CAP-CH 130R F 0603 G BAW SPE0027A323
R228	1304348	CAP-CH 220R F 0603 BAW SPE0027A323
R229	1304348	CAP-CH 220R F 0603 BAW SPE0027A323
R231	1304186	CAP-CH 22R F 0603 BAW SPE0027A323
R232	1258478	CAP-CH 15K F 0603 BAW SPE0028A323
R236	1304496	CAP-CH 3K9 F 0603 G BAW SPE0028A323
R237	1254332	CAP-CH 47K F 0603 G BAW SPE0028A323
R238	1305093	CAP-CH 1M F 0603 BAW SPE0028A323
R239	1305093	CAP-CH 1M F 0603 BAW SPE0028A323
R240	1305093	CAP-CH 1M F 0603 BAW SPE0028A323
R241	1305093	CAP-CH 1M F 0603 BAW SPE0028A323
R242	1297041	CAP-CH 10K F 0603 G BAW SPE0028A323
R243	1297041	CAP-CH 10K F 0603 G BAW SPE0028A323
R245	1297058	CAP-CH 22K F 0603 G BAW SPE0028A323
R246	1297058	CAP-CH 22K F 0603 G BAW SPE0028A323
R247	1297058	CAP-CH 22K F 0603 G BAW SPE0028A323
R251	1304453	CAP-CH 1K2 F 0603 BAW SPE0028A323
R252	1304488	CAP-CH 2K7 F 0603 BAW SPE0028A323
R253	1271202	CAP-CH 220K F 0603 G BAW SPE0028A323
R254	1254456	CAP-CH 82K F 0603 G BAW SPE0028A323
R255	1305158	CAP-CH 100K F 0603 BAW SPE0028A323
R257	1227661	CAP-CH 0R 0603 BAW SPE0025A323
R258	1291181	CAP-CH 5K6 F 0603 G BAW SPE0028A323
R261	1285564	CAP-CH 4K7 F 0603 G BAW SPE0028A323
R262	1227661	CAP-CH 0R 0603 BAW SPE0025A323
R281	1304781	CAP-CH 10R F 0805 G BAW SPE0017A323
R282	1304437	CAP-CH 820R F 0603 BAW SPE0027A323
R301	1305050	CAP-CH 470K F 0603 BAW SPE0028A323
R302	1304852	CAP-CH 47R F 0805 G BAW SPE0017A323
R303	1018302	CAP-CH 0R 0805 G BAW SPE0009A323
R309	1304471	CAP-CH 2K F 0603 G BAW SPE0028A323
R310	1304161	CAP-CH 10R F 0603 BAW SPE0027A323

R311	1297041	CAP-CH 10K F 0603 G BAW SPE0028A323
R313	1304410	CAP-CH 560R F 0603 BAW SPE0027A323
R314	1254022	CAP-CH 2K2 F 0603 G BAW SPE0028A323
R319	1254022	CAP-CH 2K2 F 0603 G BAW SPE0028A323
R320	1305018	CAP-CH 150K F 0603 BAW SPE0028A323
R321	1271199	CAP-CH 56K F 0603 G BAW SPE0028A323
R322	1291181	CAP-CH 5K6 F 0603 G BAW SPE0028A323
R323	1297041	CAP-CH 10K F 0603 G BAW SPE0028A323
R324	1304161	CAP-CH 10R F 0603 BAW SPE0027A323
R326	1285564	CAP-CH 4K7 F 0603 G BAW SPE0028A323
R330	1304161	CAP-CH 10R F 0603 BAW SPE0027A323
R333	1285564	CAP-CH 4K7 F 0603 G BAW SPE0028A323
R334	1304453	CAP-CH 1K2 F 0603 BAW SPE0028A323
R335	1304402	CAP-CH 470R F 0603 BAW SPE0027A323
R340	1304161	CAP-CH 10R F 0603 BAW SPE0027A323
R341	1304445	CAP-CH 1K F 0603 BAW SPE0028A323
R343	1304445	CAP-CH 1K F 0603 BAW SPE0028A323
R344	1304461	CAP-CH 1K5 F 0603 G BAW SPE0028A323
R345	1285564	CAP-CH 4K7 F 0603 G BAW SPE0028A323
R347	1305131	CAP-CH 68K F 0603 BAW SPE0028A323
R348	1282700	CAP-CH 120K F 0603 G BAW SPE 0028A323
R349	1254332	CAP-CH 47K F 0603 G BAW SPE0028A323
R350	1254332	CAP-CH 47K F 0603 G BAW SPE0028A323
R351	1254340	CAP-CH 270K F 0603 G BAW SPE0028A323
R352	1254324	CAP-CH 24K F 0603 G BAW SPE0028A323
R353	1304445	CAP-CH 1K F 0603 BAW SPE0028A323
R355	1254421	CAP-CH 12K F 0603 G BAW SPE0028A323
R360	1297041	CAP-CH 10K F 0603 G BAW SPE0028A323
R361	1254022	CAP-CH 2K2 F 0603 G BAW SPE0028A323
R362	1285564	CAP-CH 4K7 F 0603 G BAW SPE0028A323
R378	1304259	CAP-CH 68R F 0603 BAW SPE0027A323
R422	1291181	CAP-CH 5K6 F 0603 G BAW SPE0028A323
R423	1291181	CAP-CH 5K6 F 0603 G BAW SPE0028A323
R424	1305001	CAP-CH 33K F 0603 BAW SPE0028A323
R425	1277588	CAP-CH 330K F 0603 G BAW SPE 0028A323
R426	1304496	CAP-CH 3K9 F 0603 G BAW SPE0028A323
R427	1253700	CAP-CH 8K2 F 0603 G BAW SPE0028A323
R428	1304496	CAP-CH 3K9 F 0603 G BAW SPE0028A323
R429	1253700	CAP-CH 8K2 F 0603 G BAW SPE0028A323
R431	1304488	CAP-CH 2K7 F 0603 BAW SPE0028A323
R432	1248197	CAP-CH 18K F 0603 G BAW SPE0028A323
R433	1297041	CAP-CH 10K F 0603 G BAW SPE0028A323
R451	1246623	CAP-CH 430K F 0603 G BAW SPE0028A323
R452	1254448	CAP-CH 27K F 0603 G BAW SPE0028A323
R453	1254332	CAP-CH 47K F 0603 G BAW SPE0028A323
R454	1258478	CAP-CH 15K F 0603 BAW SPE0028A323
R455	1254456	CAP-CH 82K F 0603 G BAW SPE0028A323

R460	1297058	CAP-CH 22K F 0603 G BAW SPE0028A323
R471	1271199	CAP-CH 56K F 0603 G BAW SPE0028A323
R472	1235389	CAP-CH 2K4 F 0603 G BAW SPE0028A323
R473	1235389	CAP-CH 2K4 F 0603 G BAW SPE0028A323
R474	1271199	CAP-CH 56K F 0603 G BAW SPE0028A323
R483	1304321	CAP-CH 150R F 0603 BAW SPE0027A323
R484	1304321	CAP-CH 150R F 0603 BAW SPE0027A323
R501	1297041	CAP-CH 10K F 0603 G BAW SPE0028A323
R601	1227831	CAP-CH 10K F 0805 G BAW SPE0018A323
R602	1215647	CAP-CH 220K F 0805 G BAW SPE0019A323
R603	1159569	CAP-CH 47K F 0805 G BAW SPE0018A323
R604	1258478	CAP-CH 15K F 0603 BAW SPE0028A323
R605	1258486	CAP-CH 39K F 0603 BAW SPE0028A323
R608	1233351	CAP-CH 270R F 0805 G BAW SPE0017A323
R609	1304895	CAP-CH 100R F 0805 G BAW SPE0017A323
R610	1240544	CAP-CH 470R F 0805 BAW SPE0017A323
R612	1227831	CAP-CH 10K F 0805 G BAW SPE0018A323
R613	1227831	CAP-CH 10K F 0805 G BAW SPE0018A323
R614	1236271	CAP-CH 68K F 0805 G BAW SPE0018A323
R615	1258478	CAP-CH 15K F 0603 BAW SPE0028A323
R616	1236271	CAP-CH 68K F 0805 G BAW SPE0018A323
R617	1258478	CAP-CH 15K F 0603 BAW SPE0028A323
R618	1297041	CAP-CH 10K F 0603 G BAW SPE0028A323
R619	1297041	CAP-CH 10K F 0603 G BAW SPE0028A323
R620	1297041	CAP-CH 10K F 0603 G BAW SPE0028A323
R621	1297041	CAP-CH 10K F 0603 G BAW SPE0028A323
R623	1227661	CAP-CH 0R 0603 BAW SPE0025A323
R624	1159496	CAP-CH 22K F 0805 G BAW SPE0018A323
R625	1297041	CAP-CH 10K F 0603 G BAW SPE0028A323
R626	1305131	CAP-CH 68K F 0603 BAW SPE0028A323
R631	1303112	CAP-CH 15R F 1206 G BAW SPE0015A323
R632	1303112	CAP-CH 15R F 1206 G BAW SPE0015A323
R633	1303112	CAP-CH 15R F 1206 G BAW SPE0015A323
R701	1304526	CAP-CH 11K F 0603 G TK100 BAW SPE0028A
R702	1304518	CAP-CH 16K F 0603 G BAW SPE0028A323
R703	1282662	CAP-CH 180K F 0603 G BAW SPE0028A323
R704	1304283	CAP-CH 100R F 0603 BAW SPE0027A323
R711	1304526	CAP-CH 11K F 0603 G TK100 BAW SPE0028A
R712	1304518	CAP-CH 16K F 0603 G BAW SPE0028A323
R713	1282662	CAP-CH 180K F 0603 G BAW SPE0028A323
R714	1304283	CAP-CH 100R F 0603 BAW SPE0027A323
R720	1254431	CAP-CH 20K F 0603 G BAW SPE0028A323
R721	1304496	CAP-CH 3K9 F 0603 G BAW SPE0028A323
R722	1305131	CAP-CH 68K F 0603 BAW SPE0028A323
R723	1305050	CAP-CH 470K F 0603 BAW SPE0028A323
R725	1305001	CAP-CH 33K F 0603 BAW SPE0028A323
R726	1305001	CAP-CH 33K F 0603 BAW SPE0028A323

R727	1254332	CAP-CH 47K F 0603 G BAW SPE0028A323
R728	1304161	CAP-CH 10R F 0603 BAW SPE0027A323
R729	1297058	CAP-CH 22K F 0603 G BAW SPE0028A323
R730	1297058	CAP-CH 22K F 0603 G BAW SPE0028A323
R732	1254332	CAP-CH 47K F 0603 G BAW SPE0028A323
R780	1304755	CAP-CH 1R5 F 0805 G BAW SPE0017A323
R781	1277588	CAP-CH 330K F 0603 G BAW SPE 0028A323
R782	1271202	CAP-CH 220K F 0603 G BAW SPE0028A323
R786	1304471	CAP-CH 2K F 0603 G BAW SPE0028A323
R787	1254332	CAP-CH 47K F 0603 G BAW SPE0028A323
R788	1304410	CAP-CH 560R F 0603 BAW SPE0027A323
R789	1304410	CAP-CH 560R F 0603 BAW SPE0027A323
R790	1304410	CAP-CH 560R F 0603 BAW SPE0027A323
R791	1304410	CAP-CH 560R F 0603 BAW SPE0027A323
R792	1304410	CAP-CH 560R F 0603 BAW SPE0027A323
R793	1254022	CAP-CH 2K2 F 0603 G BAW SPE0028A323
R794	1304445	CAP-CH 1K F 0603 BAW SPE0028A323
R795	1254332	CAP-CH 47K F 0603 G BAW SPE0028A323
R801	1304445	CAP-CH 1K F 0603 BAW SPE0028A323
R802	1254421	CAP-CH 12K F 0603 G BAW SPE0028A323
R803	1235397	CAP-CH 3K3 F 0603 G BAW SPE0028A323
R804	1305158	CAP-CH 100K F 0603 BAW SPE0028A323
R805	1254332	CAP-CH 47K F 0603 G BAW SPE0028A323
R806	1297041	CAP-CH 10K F 0603 G BAW SPE0028A323
R807	1226657	CAP-CH 1K F 1206 BAW SPE0016A323
R808	1304445	CAP-CH 1K F 0603 BAW SPE0028A323
R809	1297041	CAP-CH 10K F 0603 G BAW SPE0028A323
R810	1226657	CAP-CH 1K F 1206 BAW SPE0016A323
R811	1304445	CAP-CH 1K F 0603 BAW SPE0028A323
R820	1283367	CAP-CH 10R F 1206 G TK100 BAW0015A323
R821	1283367	CAP-CH 10R F 1206 G TK100 BAW0015A323
R822	1283367	CAP-CH 10R F 1206 G TK100 BAW0015A323
R850	1254332	CAP-CH 47K F 0603 G BAW SPE0028A323
R851	1304445	CAP-CH 1K F 0603 BAW SPE0028A323
R852	1254022	CAP-CH 2K2 F 0603 G BAW SPE0028A323
R853	1304429	CAP-CH 680R F 0603 BAW SPE0027A323
R854	1304781	CAP-CH 10R F 0805 G BAW SPE0017A323
R855	1227831	CAP-CH 10K F 0805 G BAW SPE0018A323
R856	1254332	CAP-CH 47K F 0603 G BAW SPE0028A323
R857	1223437	CAP-CH 470K F 0805 G BAW SPE0019A323
R858	1271199	CAP-CH 56K F 0603 G BAW SPE0028A323
R859	1304895	CAP-CH 100R F 0805 G BAW SPE0017A323
R860	1258478	CAP-CH 15K F 0603 BAW SPE0028A323
R861	1254332	CAP-CH 47K F 0603 G BAW SPE0028A323
R862	1304348	CAP-CH 220R F 0603 BAW SPE0027A323
R863	1297058	CAP-CH 22K F 0603 G BAW SPE0028A323
R864	1297058	CAP-CH 22K F 0603 G BAW SPE0028A323

R865	1297058	CAP-CH 22K F 0603 G BAW SPE0028A323
R866	1297058	CAP-CH 22K F 0603 G BAW SPE0028A323
R868	1254332	CAP-CH 47K F 0603 G BAW SPE0028A323
R869	1254332	CAP-CH 47K F 0603 G BAW SPE0028A323
R900	1304445	CAP-CH 1K F 0603 BAW SPE0028A323
R901	1304445	CAP-CH 1K F 0603 BAW SPE0028A323
R902	1304445	CAP-CH 1K F 0603 BAW SPE0028A323
R903	1304445	CAP-CH 1K F 0603 BAW SPE0028A323
R904	1304445	CAP-CH 1K F 0603 BAW SPE0028A323
R905	1304445	CAP-CH 1K F 0603 BAW SPE0028A323
R906	1304445	CAP-CH 1K F 0603 BAW SPE0028A323
R907	1304445	CAP-CH 1K F 0603 BAW SPE0028A323
R908	1304283	CAP-CH 100R F 0603 BAW SPE0027A323
R910	1304445	CAP-CH 1K F 0603 BAW SPE0028A323
R911	1304445	CAP-CH 1K F 0603 BAW SPE0028A323
R912	1304445	CAP-CH 1K F 0603 BAW SPE0028A323
R913	1304445	CAP-CH 1K F 0603 BAW SPE0028A323
R914	1304445	CAP-CH 1K F 0603 BAW SPE0028A323
R915	1304410	CAP-CH 560R F 0603 BAW SPE0027A323
R916	1304445	CAP-CH 1K F 0603 BAW SPE0028A323
R920	1304410	CAP-CH 560R F 0603 BAW SPE0027A323
R921	1304445	CAP-CH 1K F 0603 BAW SPE0028A323
R922	1304445	CAP-CH 1K F 0603 BAW SPE0028A323
R923	1304445	CAP-CH 1K F 0603 BAW SPE0028A323
R924	1304445	CAP-CH 1K F 0603 BAW SPE0028A323
R925	1304445	CAP-CH 1K F 0603 BAW SPE0028A323
R926	1304445	CAP-CH 1K F 0603 BAW SPE0028A323
R927	1304445	CAP-CH 1K F 0603 BAW SPE0028A323
R930	1304445	CAP-CH 1K F 0603 BAW SPE0028A323
R931	1304445	CAP-CH 1K F 0603 BAW SPE0028A323
R932	1304445	CAP-CH 1K F 0603 BAW SPE0028A323
R933	1304445	CAP-CH 1K F 0603 BAW SPE0028A323
R934	1304445	CAP-CH 1K F 0603 BAW SPE0028A323
R935	1304445	CAP-CH 1K F 0603 BAW SPE0028A323
R940	1304445	CAP-CH 1K F 0603 BAW SPE0028A323
R941	1304445	CAP-CH 1K F 0603 BAW SPE0028A323
R942	1304410	CAP-CH 560R F 0603 BAW SPE0027A323
R943	1304445	CAP-CH 1K F 0603 BAW SPE0028A323
R944	1304445	CAP-CH 1K F 0603 BAW SPE0028A323
R945	1304445	CAP-CH 1K F 0603 BAW SPE0028A323
R947	1304445	CAP-CH 1K F 0603 BAW SPE0028A323
R950	1304445	CAP-CH 1K F 0603 BAW SPE0028A323
R951	1304445	CAP-CH 1K F 0603 BAW SPE0028A323
R952	1304445	CAP-CH 1K F 0603 BAW SPE0028A323
R953	1304445	CAP-CH 1K F 0603 BAW SPE0028A323
R954	1304445	CAP-CH 1K F 0603 BAW SPE0028A323
R955	1304445	CAP-CH 1K F 0603 BAW SPE0028A323

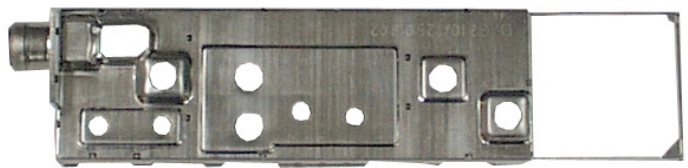
R956	1304445	CAP-CH 1K F 0603 BAW SPE0028A323
R957	1304410	CAP-CH 560R F 0603 BAW SPE0027A323
R960	1304445	CAP-CH 1K F 0603 BAW SPE0028A323
R961	1304445	CAP-CH 1K F 0603 BAW SPE0028A323
R962	1304445	CAP-CH 1K F 0603 BAW SPE0028A323
R963	1304445	CAP-CH 1K F 0603 BAW SPE0028A323
R964	1304445	CAP-CH 1K F 0603 BAW SPE0028A323
R965	1304445	CAP-CH 1K F 0603 BAW SPE0028A323
R966	1304445	CAP-CH 1K F 0603 BAW SPE0028A323
R967	1304445	CAP-CH 1K F 0603 BAW SPE0028A323
R979	1227661	CAP-CH 0R 0603 BAW SPE0025A323
R980	1254332	CAP-CH 47K F 0603 G BAW SPE0028A323
R982	1254332	CAP-CH 47K F 0603 G BAW SPE0028A323
R983	1254332	CAP-CH 47K F 0603 G BAW SPE0028A323
R984	1254332	CAP-CH 47K F 0603 G BAW SPE0028A323
R985	1297041	CAP-CH 10K F 0603 G BAW SPE0028A323
R986	1254332	CAP-CH 47K F 0603 G BAW SPE0028A323
R987	1305158	CAP-CH 100K F 0603 BAW SPE0028A323
R988	1254332	CAP-CH 47K F 0603 G BAW SPE0028A323
R989	1254332	CAP-CH 47K F 0603 G BAW SPE0028A323
R992	1297058	CAP-CH 22K F 0603 G BAW SPE0028A323
R993	1297058	CAP-CH 22K F 0603 G BAW SPE0028A323
R994	1297058	CAP-CH 22K F 0603 G BAW SPE0028A323
R995	1297058	CAP-CH 22K F 0603 G BAW SPE0028A323
R996	1297058	CAP-CH 22K F 0603 G BAW SPE0028A323
R997	1297058	CAP-CH 22K F 0603 G BAW SPE0028A323
R998	1254332	CAP-CH 47K F 0603 G BAW SPE0028A323
R999	1254332	CAP-CH 47K F 0603 G BAW SPE0028A323
S1804	1288407	TASTER-SMD SMK JPS 1110-3311 R G
S1831	1309714	ENCODER MAT EVQ B5D 60915B
SP101	1031112	ARRESTER MMC DSP-201M-A21R
ST1101	1290381	PIN LEDGE 3POL HEB XXXX
ST1102	1254561	PIN LEDGE 16POL HEB S51-212
ST1804	1284703	CONTACT SPRING SET -MB98/DIN
ST701	1158041	PIN LEDGE 19POL D&R 3 302 02 01 1490
ST801	1252641	SPRING-PLUG IN CONNECTION AMP 969600-1
T101	1028049	TRANSISTOR-CH BAW BC858C G SPE0002A302
T102	1225537	TRANSISTOR-CH BAW BFR93A SHIP-TO-STOCK G
T1101	1028049	TRANSISTOR-CH BAW BC858C G SPE0002A302
T1102	1271555	TRANSISTOR-CH TEL S913T G
T1231	1172921	TRANSISTOR-CH BAW KRC109S/DTC144 SPE0047
T151	1018280	TRANSISTOR-CH BAW BC808-40 G SPE002
T152	1018280	TRANSISTOR-CH BAW BC808-40 G SPE002
T1801	0659614	TRANSISTOR-CH BAW BC848B G SPE0003A
T1802	0675318	TRANSISTOR-CH BAW BC818-16 SHIP-TO-STOCK
T1804	0659614	TRANSISTOR-CH BAW BC848B G SPE0003A
T1805	1239066	TRANS.-CH BAW KRC104S/BCR148/DTC144

T1806	1182821	TRANSISTOR-CH BAW KRC102S/DTC114 NP
T204	0659622	TRANSISTOR-CH BAW BC848C G SPE0004A302
T205	0659622	TRANSISTOR-CH BAW BC848C G SPE0004A302
T206	0659622	TRANSISTOR-CH BAW BC848C G SPE0004A302
T252	0659622	TRANSISTOR-CH BAW BC848C G SPE0004A302
T301	1180576	TRANSISTOR BAW J109/110 SELEKT.G SP
T302	0659622	TRANSISTOR-CH BAW BC848C G SPE0004A302
T304	0659673	TRANSISTOR-CH BAW BC858B G SPE0005A302
T323	0659622	TRANSISTOR-CH BAW BC848C G SPE0004A302
T341	0659622	TRANSISTOR-CH BAW BC848C G SPE0004A302
T360	1329057	TRANSISTOR-CH SIE BCR562 PNP G
T361	1329057	TRANSISTOR-CH SIE BCR562 PNP G
T364	1172646	TRANSISTOR-CH BAW KRC103S/DTC124 NP
T501	1172654	TRANSISTOR-CH BAW KRA103S/DTA124 PN
T502	1172646	TRANSISTOR-CH BAW KRC103S/DTC124 NP
T601	1280260	TRANSISTOR BAW 2SD2394F/2SD1913S SPE0062
T602	1028049	TRANSISTOR-CH BAW BC858C G SPE0002A302
T604	0659614	TRANSISTOR-CH BAW BC848B G SPE0003A
T605	0659614	TRANSISTOR-CH BAW BC848B G SPE0003A
T606	0672521	TRANSISTOR-CH BAW BC856B G SPE0013A
T607	1258079	TRANSISTOR-CH BAW BC846B G SPE0035A302
T701	1172654	TRANSISTOR-CH BAW KRA103S/DTA124 PN
T702	1253611	TRANSISTOR-CH BAW BCR158/DTA123JC SPE006
T801	1172646	TRANSISTOR-CH BAW KRC103S/DTC124 NP
T802	1172654	TRANSISTOR-CH BAW KRA103S/DTA124 PN
T803	1182821	TRANSISTOR-CH BAW KRC102S/DTC114 NP
T804	1248499	TRANSISTOR-CH BAW BCX52-16 G SPE0060A302
T805	1172654	TRANSISTOR-CH BAW KRA103S/DTA124 PN
T806	1182821	TRANSISTOR-CH BAW KRC102S/DTC114 NP
T807	1248499	TRANSISTOR-CH BAW BCX52-16 G SPE0060A302
T852	1172654	TRANSISTOR-CH BAW KRA103S/DTA124 PN
T853	1172646	TRANSISTOR-CH BAW KRC103S/DTC124 NP
T854	1028006	TRANSISTOR-CH BAW BC817-40 SHIP-TO-STOCK
T855	1172654	TRANSISTOR-CH BAW KRA103S/DTA124 PN
T856	1172654	TRANSISTOR-CH BAW KRA103S/DTA124 PN
T857	1172646	TRANSISTOR-CH BAW KRC103S/DTC124 NP
T858	0659614	TRANSISTOR-CH BAW BC848B G SPE0003A
T859	1172646	TRANSISTOR-CH BAW KRC103S/DTC124 NP
	1247141	P.C. BOARD 4080 FM/DIV

3



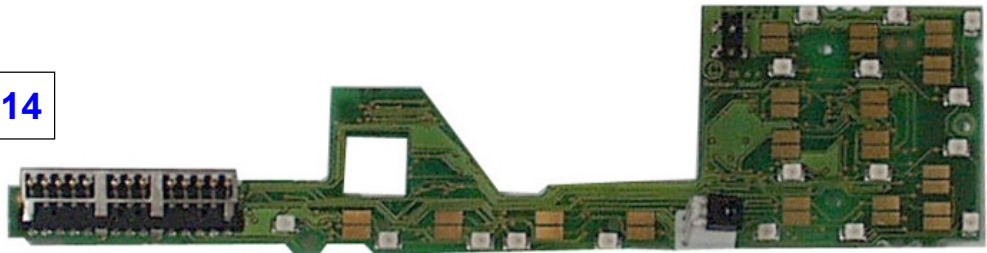
9



4



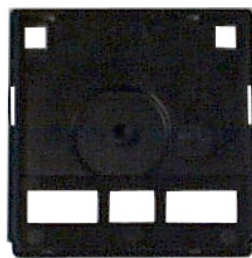
14



15



16



17



22



35

