

Block diagram

Main Board 4010 2

Connector

Connector block (Board 4040) 3

Connector interface (Board 4010)..... 4

Power supply

UG9V; UD5V; UG5V (Board 4010) 5

Tuner

FM-Tuner (Board 4010) 6

FM-Peripherie (Board 4010) 7

AM-Tuner (Board 4010) 8

AF-section

Audio controller and FM-Stereo decoder 9

AF-amplifier (Board 4010) 10

Interface

d2b-optical (Board 4010) 11

Wake up-Line, K-Line(Board 4010)..... 12

Control

Processor (Board 4010) 13

Shiftregister, EEPROM (Board 4010) 14

CC-control, Dolby B (Board 4010) 15

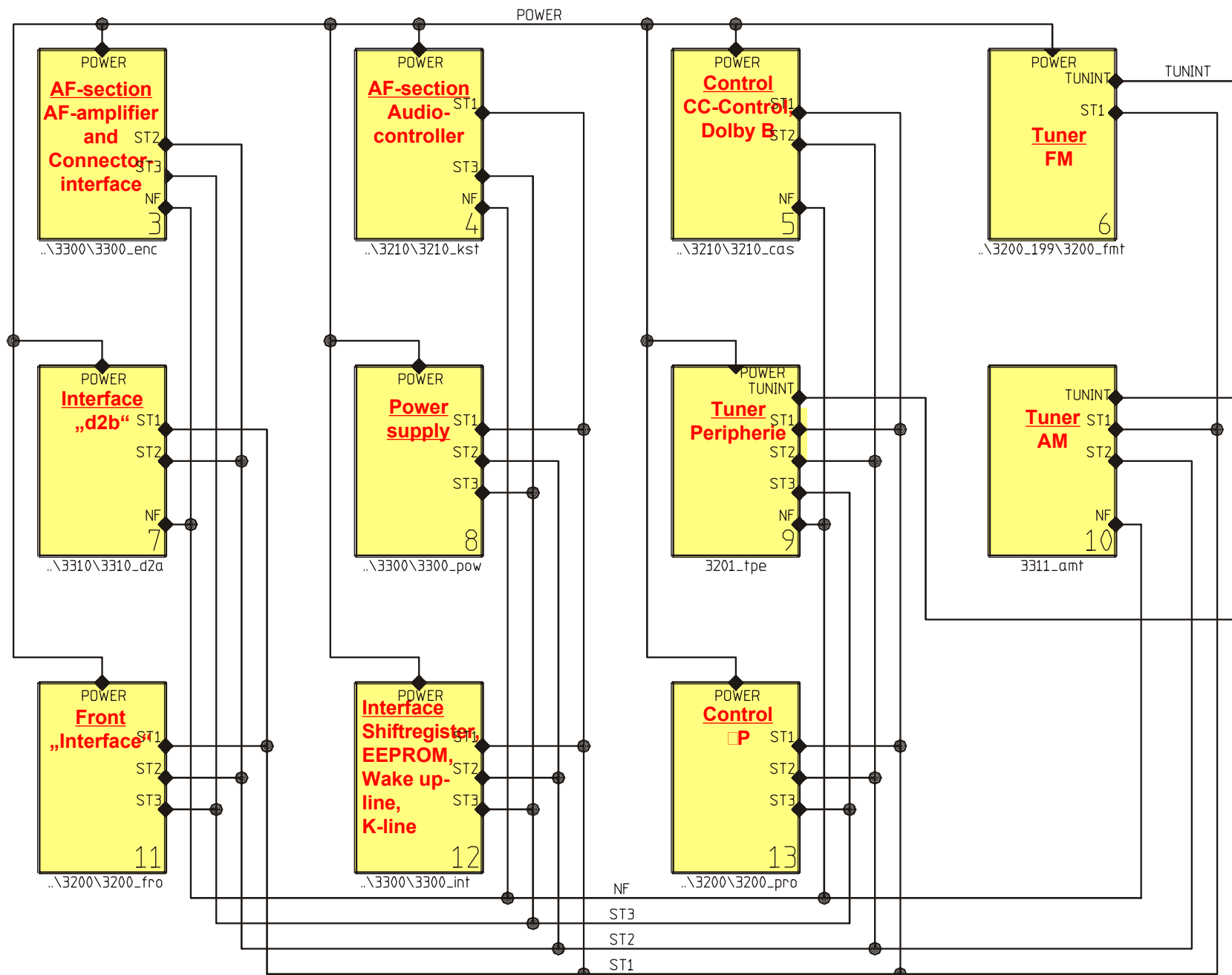
Front

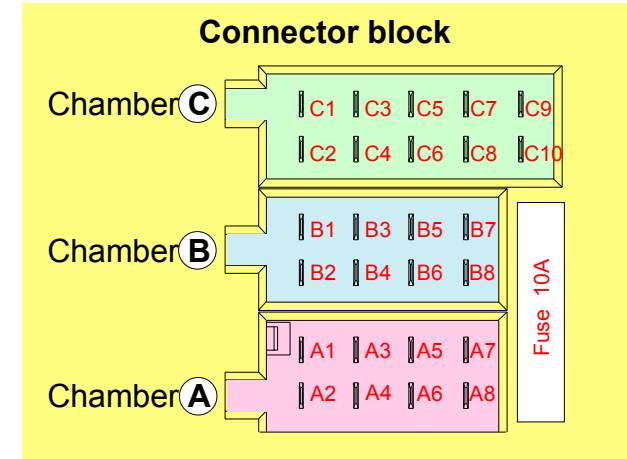
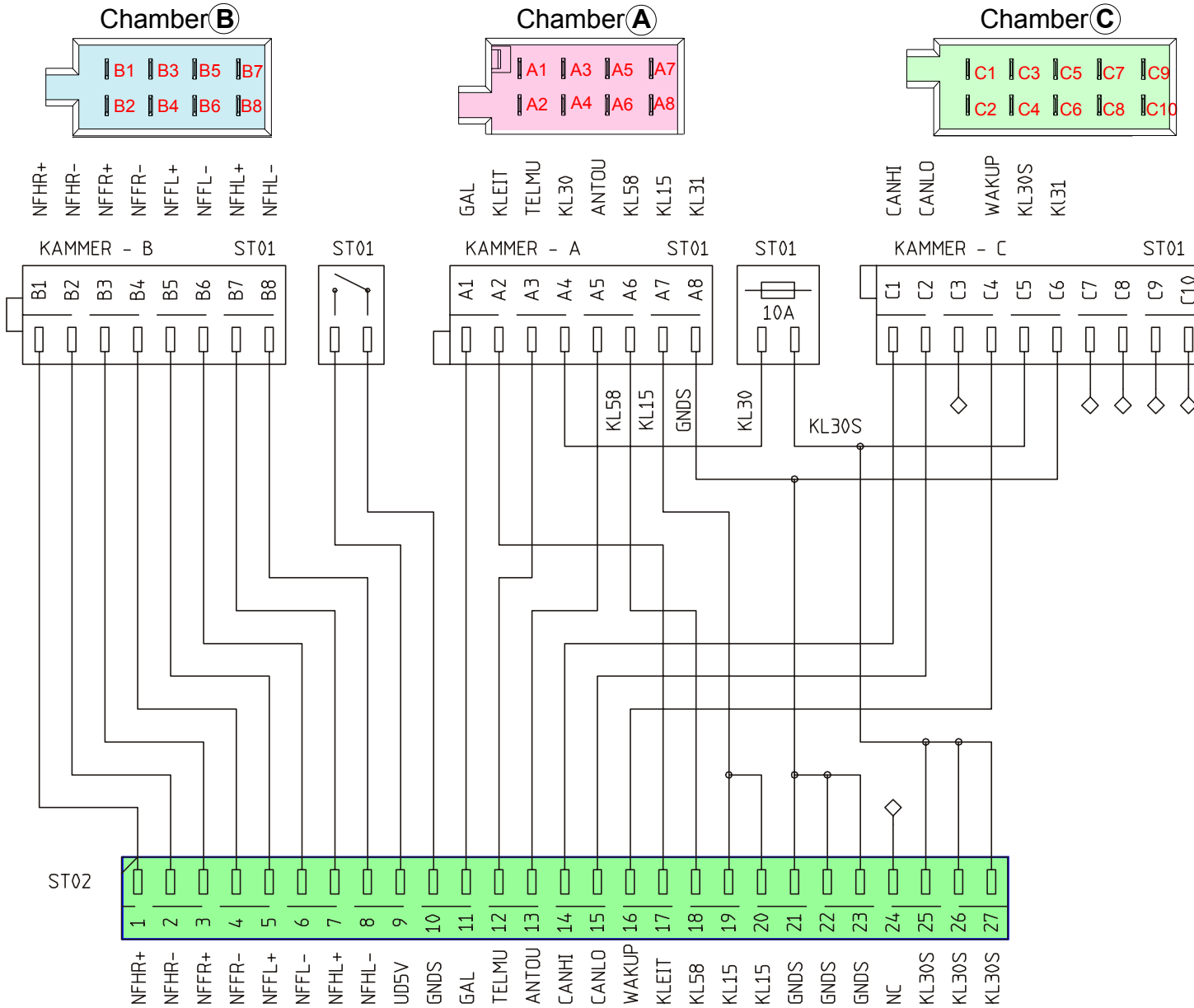
Front-Interface (Board 4010)..... 16

Front-Processor, Keyboard right (Board 9090) 17

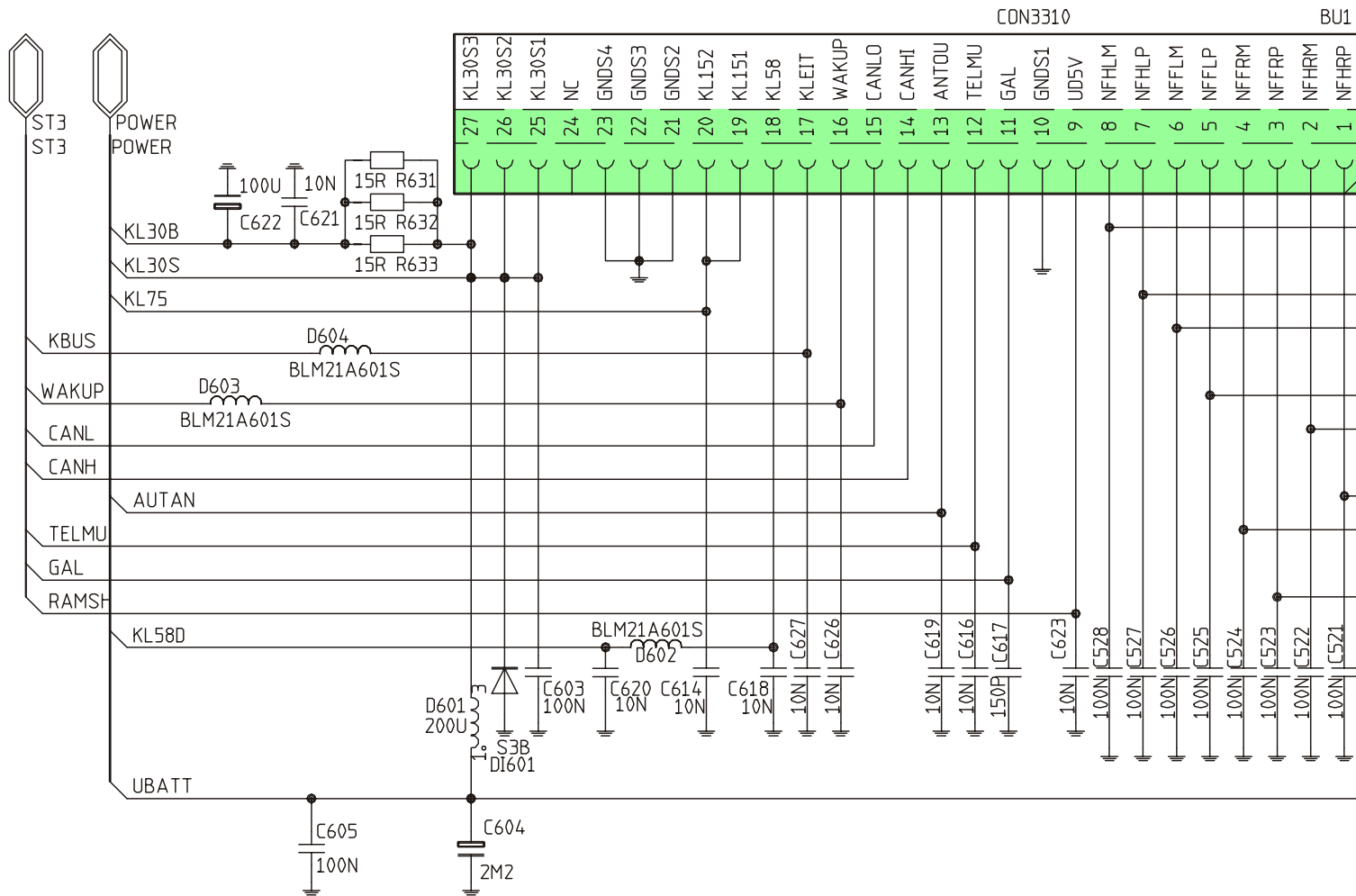
Keyboard left (Board 9060) 18

Display (Board 9090) 19

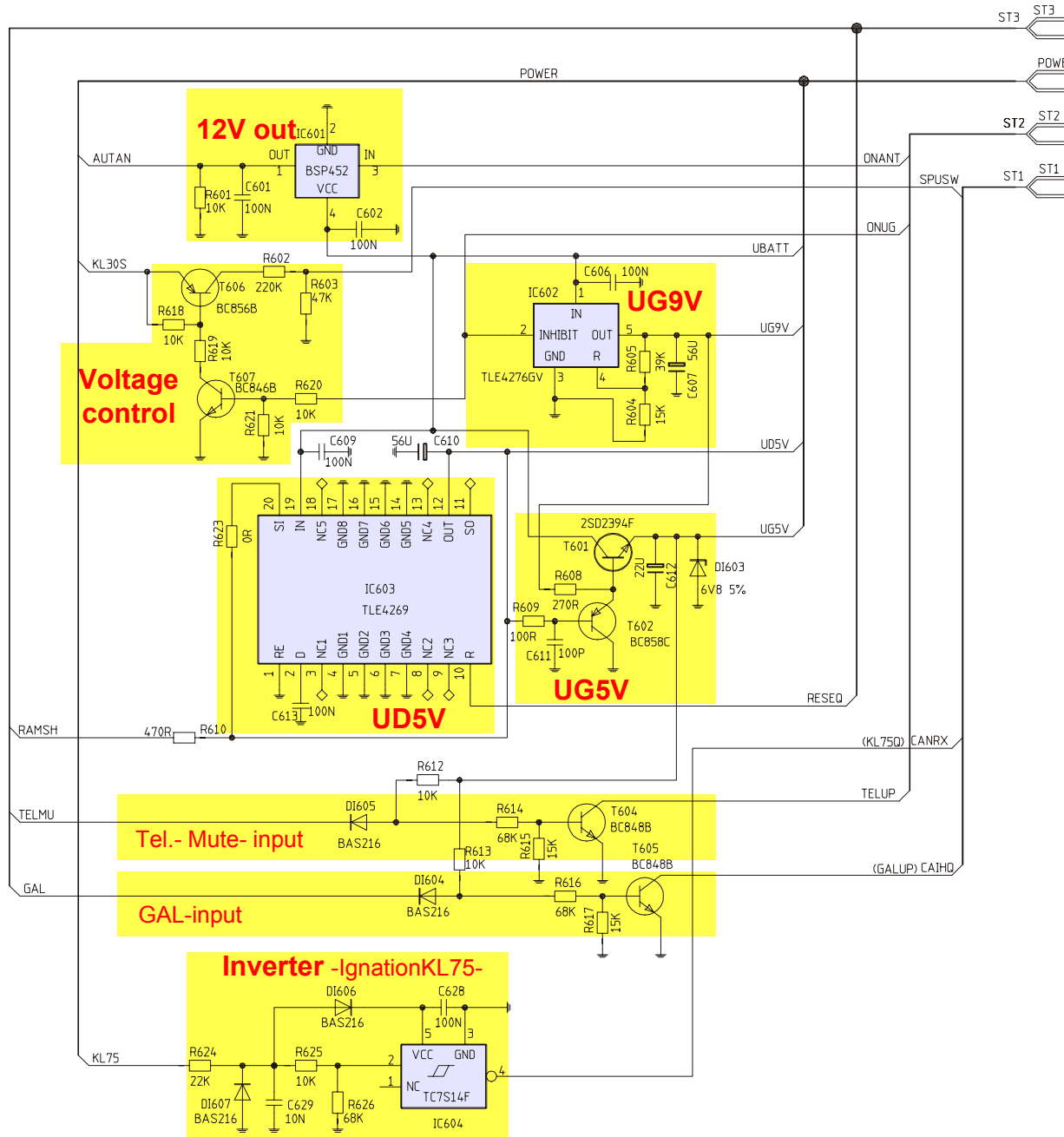


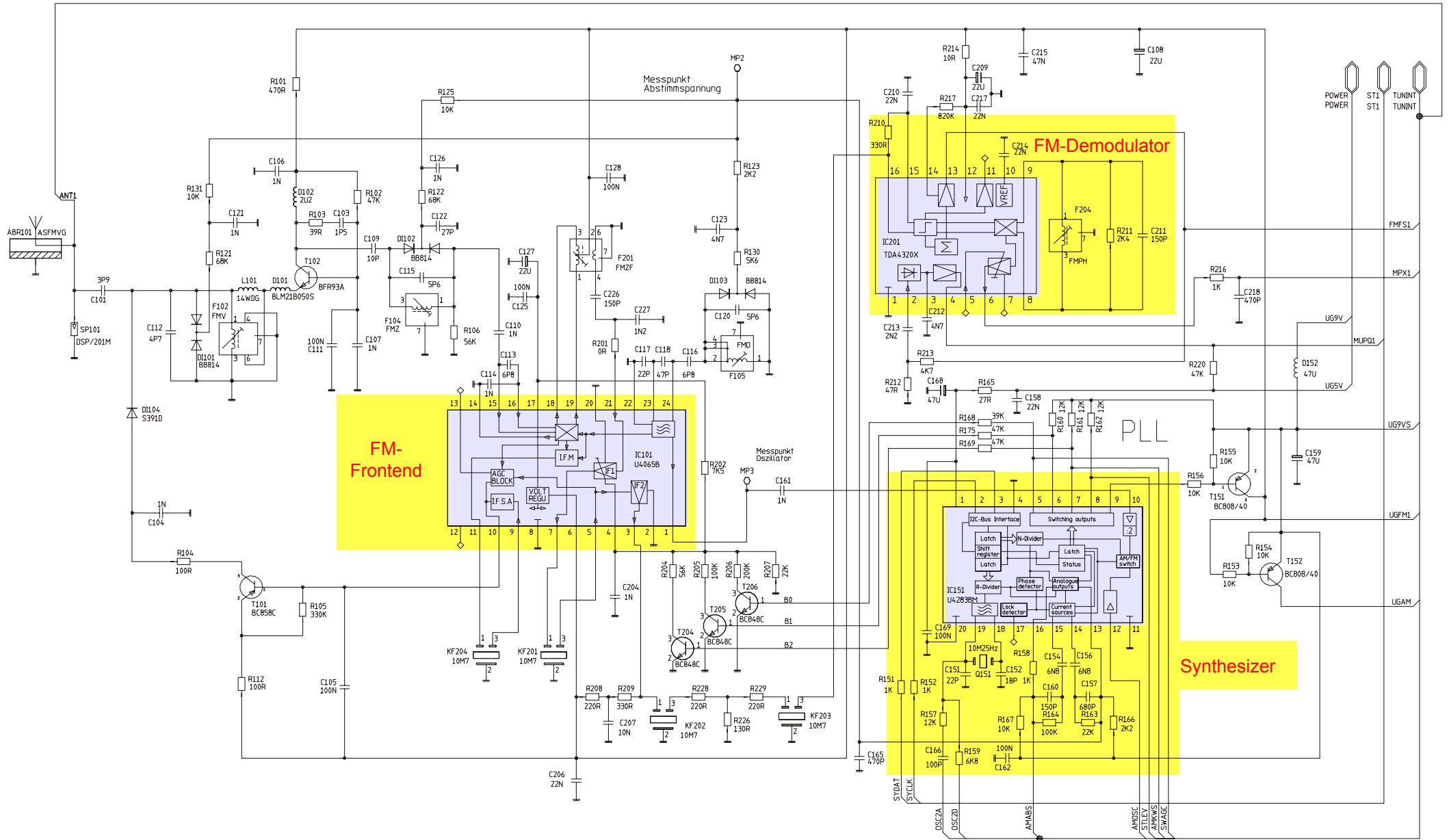


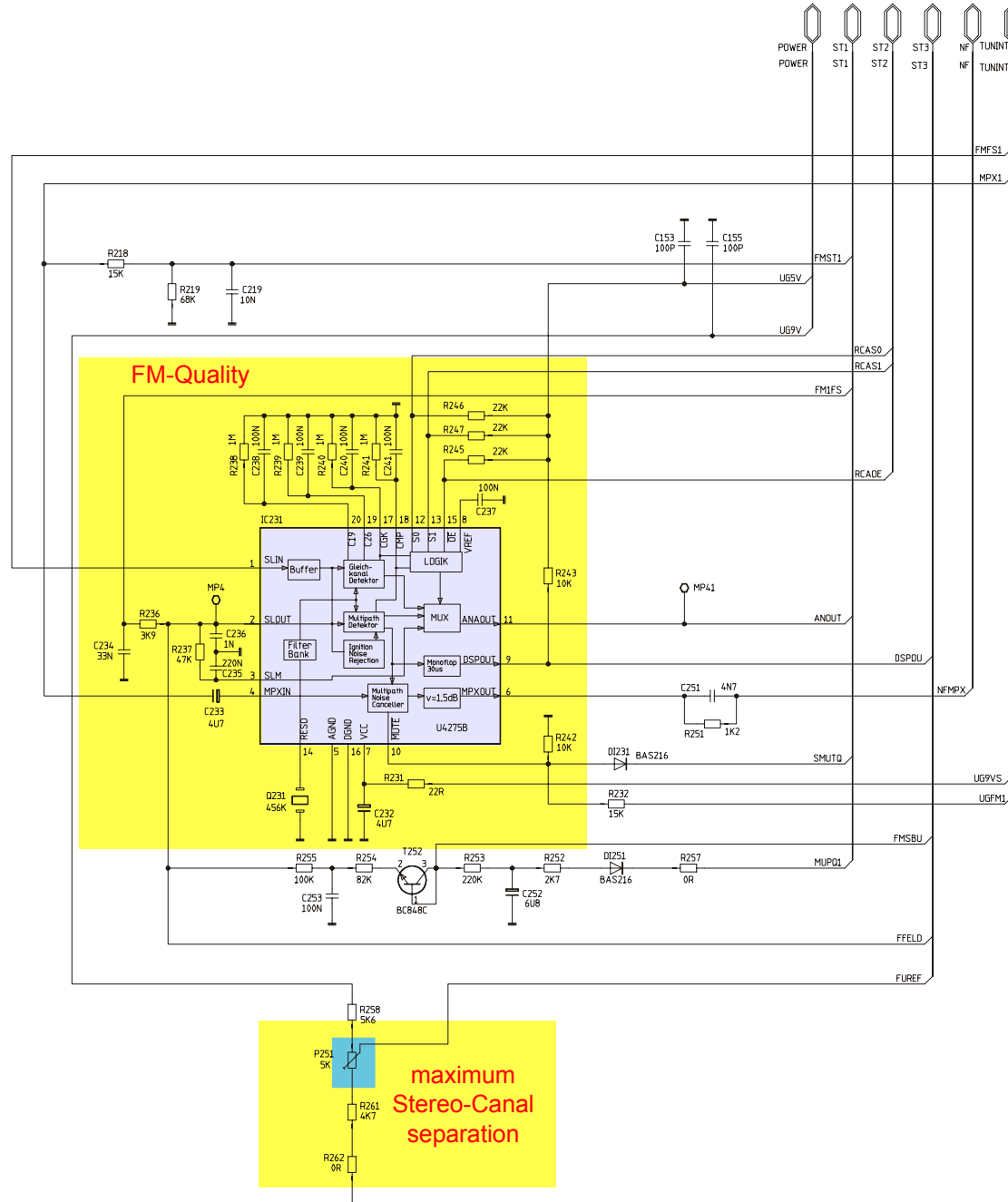
PIN	Chamber A	Chamber B	Chamber C
1	Speed dependent Vol. control	Loudspeaker rear right +	not assigned
2	K-line	Loudspeaker rear right -	not assigned
3	Telephone mute	Loudspeaker front right +	not assigned
4	Terminal 30, Battery	Loudspeaker front right -	Wake up line
5	Control output 12V	Loudspeaker front left +	Battery 12V Fuse
6	Battery 12V Fuse	Loudspeaker front left -	Terminal 31, Ground
7	Terminal 15, Ignition	Loudspeaker rear left +	not assigned
8	Terminal 31, Ground	Loudspeaker rear left -	not assigned
9			not assigned
10			not assigned

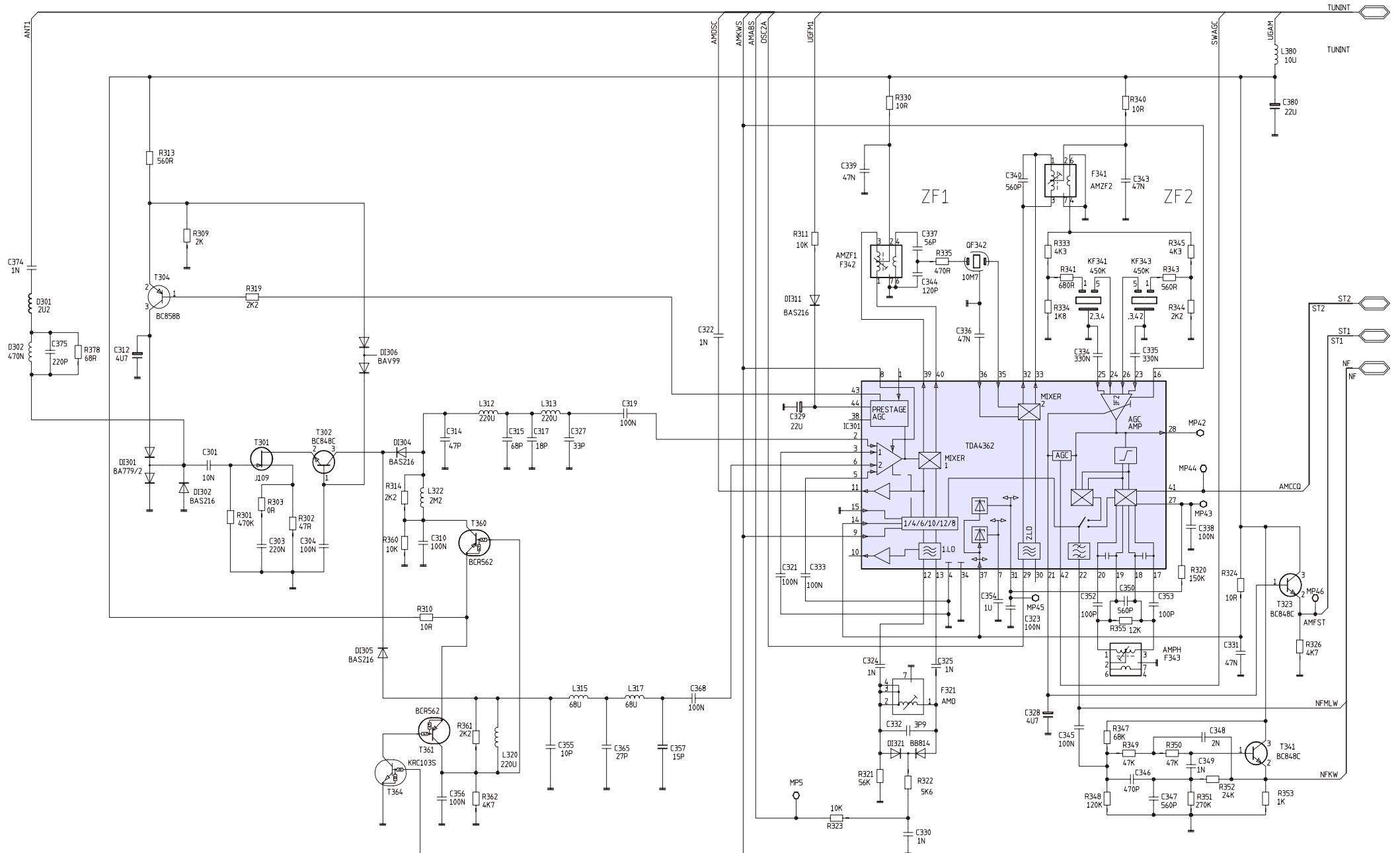


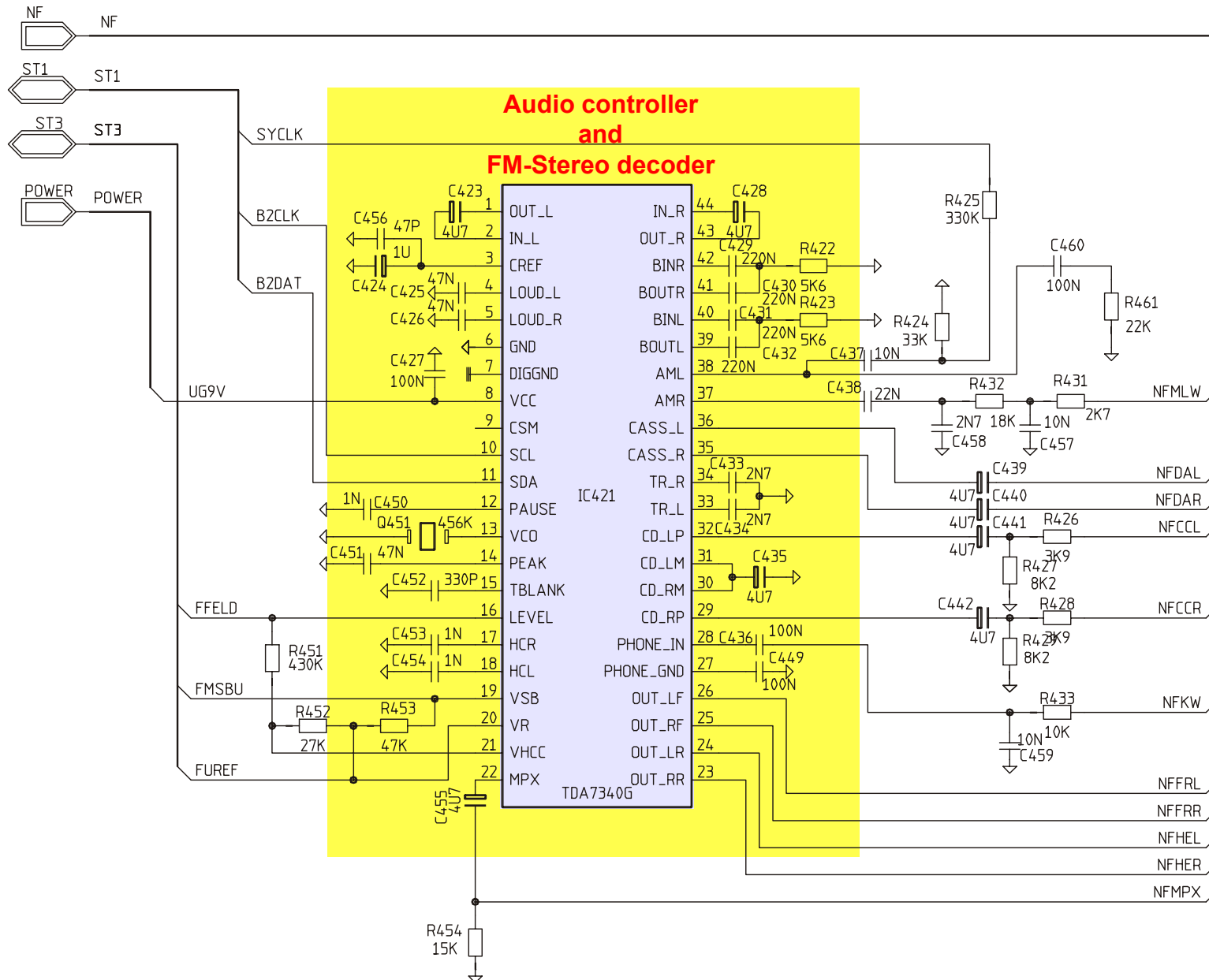
AF-section
Page 10

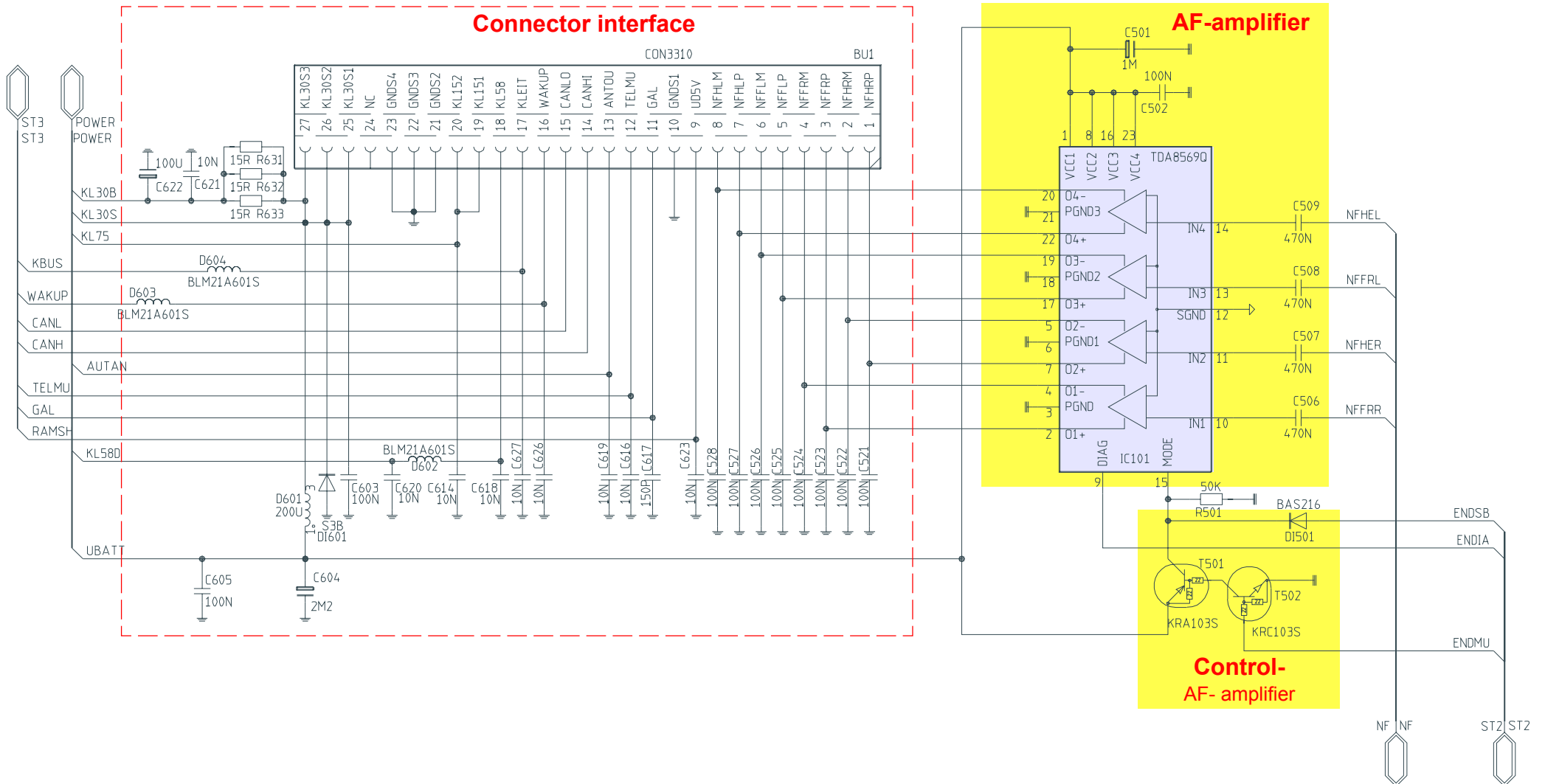


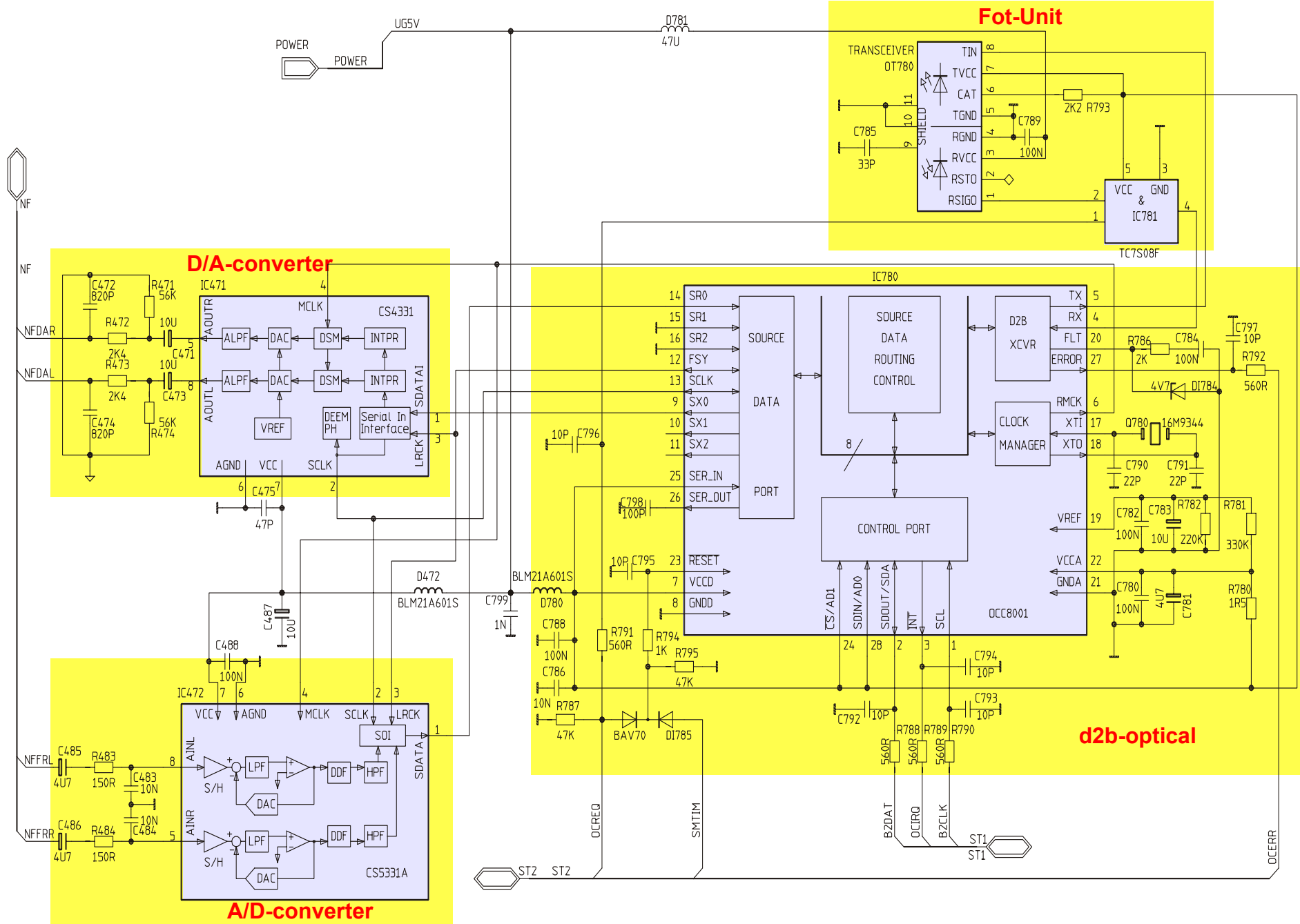


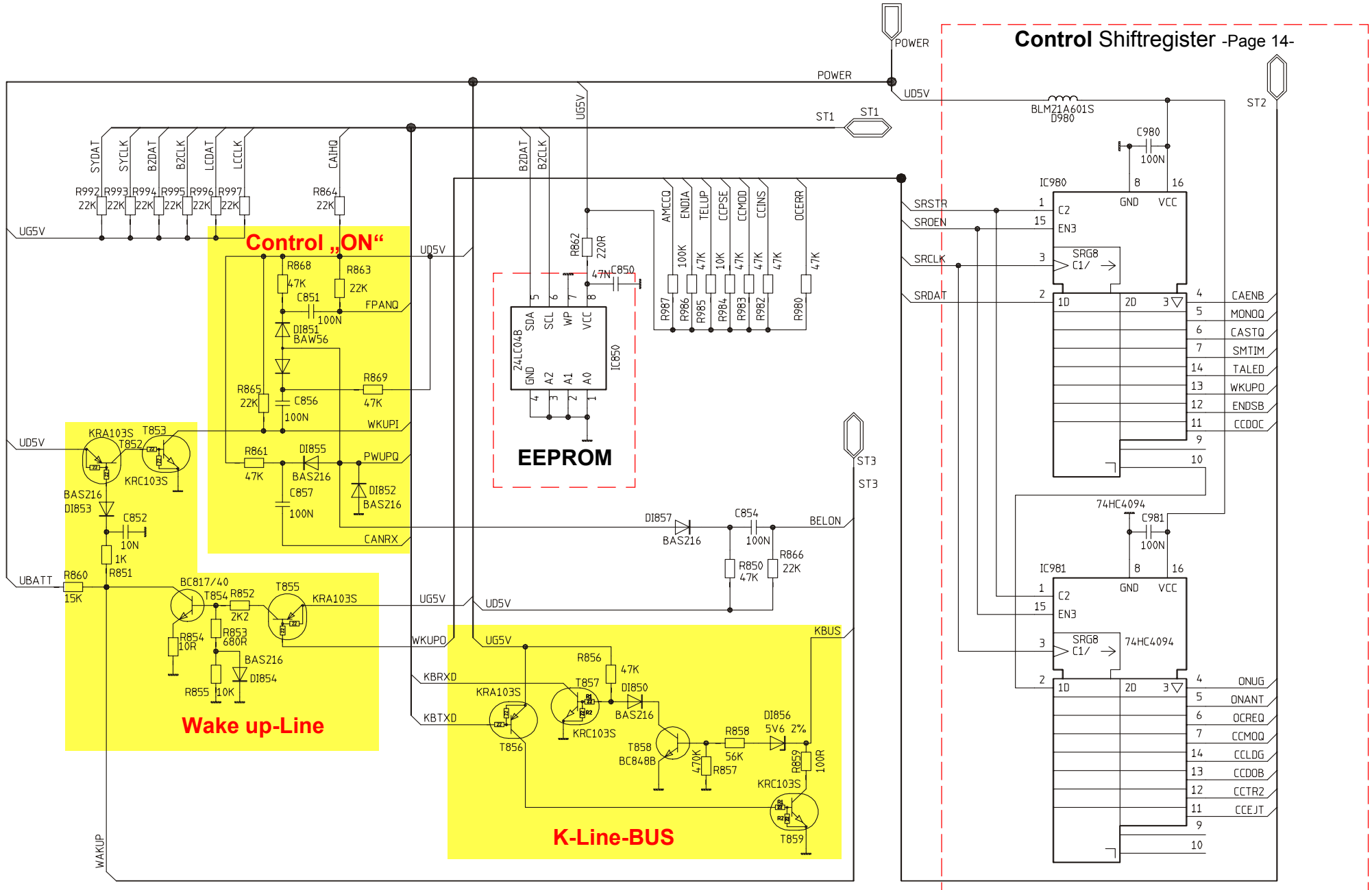




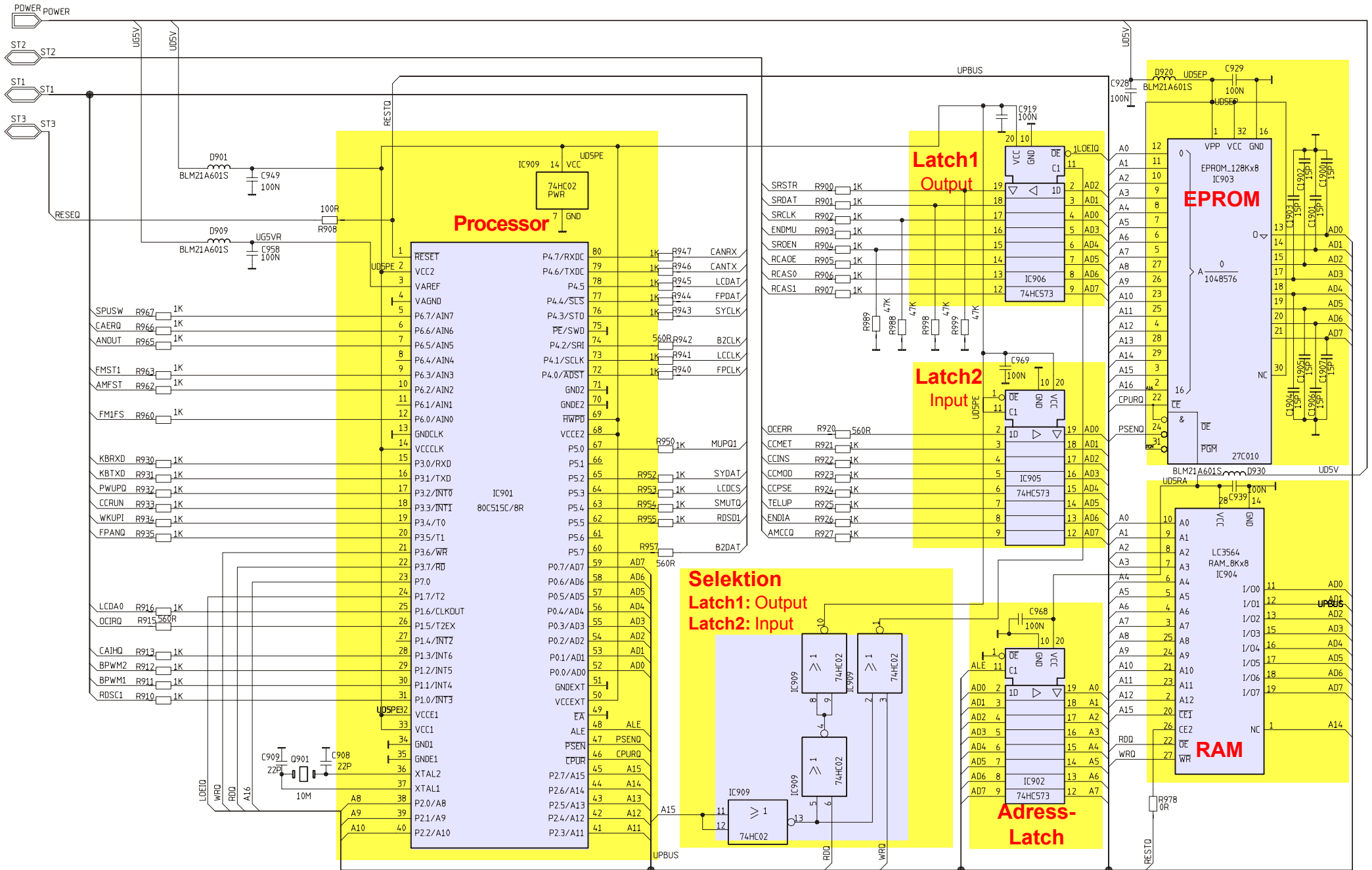


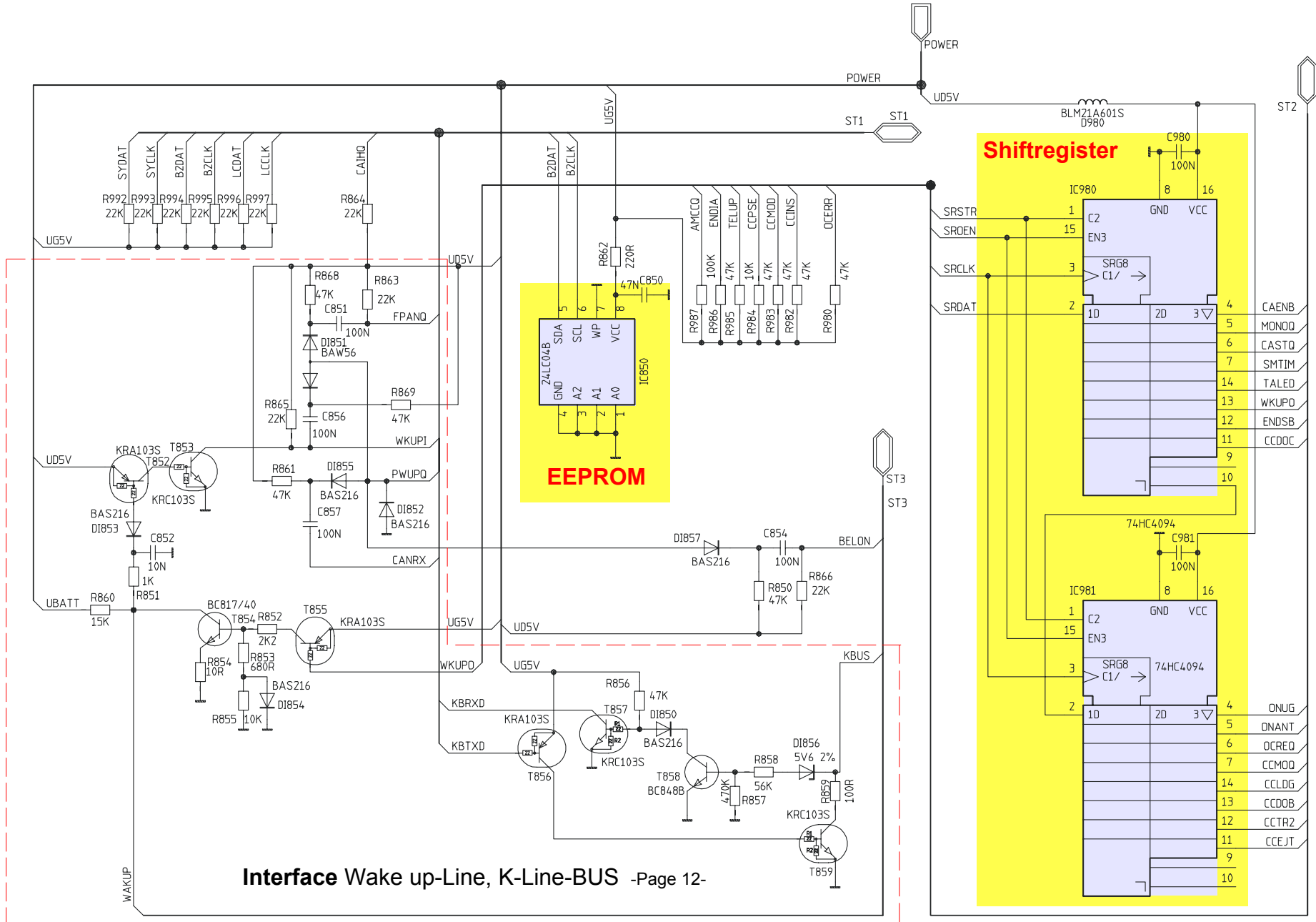






Control Shiftregister -Page 14-





Interface Wake up-Line, K-Line-BUS -Page 12-

