

# Service Manual

Version 1.0 - english

## Audio 10 ECE Typ 3100



• *Circuit diagram*

• *Components schematics*

• *Test program / Reset*

• *Anti-theft Device*

• *Technical Data*

• *Spare Parts List*



## RESET-release MB-MY99

**A** and **B** and **C** press simultaneously .

Action: Sound source will be interrupted for app. 1 second and display set up again.

## Test programme MB-MY99

**1** and **2** press simultaneously  
after

BECKER

Becker-Test mode  
is activated



**3** press once

SIG  
10 89.5

f. e. 10 = Field strength  
f. e. 89.5 = Frequency (MHz)

**3** press twice

TPV 2

Increase TA  
Settings: 0-1-2-3  
select with  , 

**3** press 3 times

ECE  
100 9

100 = Grid FM  
9 = Grid AM

**3** press 4 times

TYP 3100

**3** press 5 times

SEA  
W1001052

**3** press 6 times

SW  
03/00

Display:  
actual software version

**3** press 7 times

END

after 5 seconds test programme  
will be quit automaticly

## Entering the code number



Set each digit of the code with the **B** or **C** button and confirm individually with the **A** button. The dash prompting the entry of the next digit flashes. The digits can be reselected for correction via the **A** button.

## Technical Data

<b>Wave band:</b>	FM 87,5 MHz - 108 MHz AM 531 kHz - 1620 kHz LW 153 kHz - 282 kHz SW 5800 kHz - 6250 kHz
<b>Station memory:</b>	4 stations can be stored for each of the wave bands FM1 and FM2, AW, LW and SW
<b>Frequency range:</b>	50 Hz - 16 kHz Cassette 30 Hz - 15 kHz FM 50 Hz - 2,5 kHz AM, LW, SW
<b>EON-Function:</b>	
<b>Regional mode:</b>	switching on / switching off
<b>Regional mode:</b>	FM, AW, LW
<b>Output power:</b>	4 x 20 Watt at 4 Ohm (10% Klirr)
<b>Line cross section:</b>	min. 0,75 mm <sup>2</sup>
<b>Speaker Impedance:</b>	min. 4 Ohm
<b>GAL:</b>	fixed defined volume increase
<b>Antenna:</b>	Impedanz 50 Ohm
<b>Telephone mute:</b>	Low active level < 2 Volt
<b>Supply voltage:</b>	12 Volt
<b>Tape deck:</b>	Autoreverse, electronical control (Full Logic Control) Titel search forward/rewind
<b>Soundsystem:</b>	Connection only via D2B optical interface
<b>CD connection:</b>	Only MB-CD changers with D2B optical interface can be connected.
<b>Playable CD's:</b>	Only CDs which conform to DIN EN 60908 may be used. The use of 8 cm CDs with adapter is not recommended.

## Blockdiagram

Main Board 4010 ..... 2

## Connector

Connector block (Board 4040) ..... 3

Connector interface (Board 4010) ..... 4

## Power supply

UG9V; UD5V; UG5V (Board 4010) ..... 5

## Tuner

FM / AM-Tuner (Board 4010) ..... 6

RDS-Decoder (Board 4010) ..... 7

## AF-section

Audio controller, AF-amplifier (Board 4010) ..... 8

## Interface

d2b-optical, A/D-D/A-converter (Board 4010) ..... 9

Illumination; 12V out;

Tel.-Mute; GAL; CAN-, K-BUS (Board 4010) ..... 10

## Control

Processor; Shiftregister (Board 4010) ..... 11

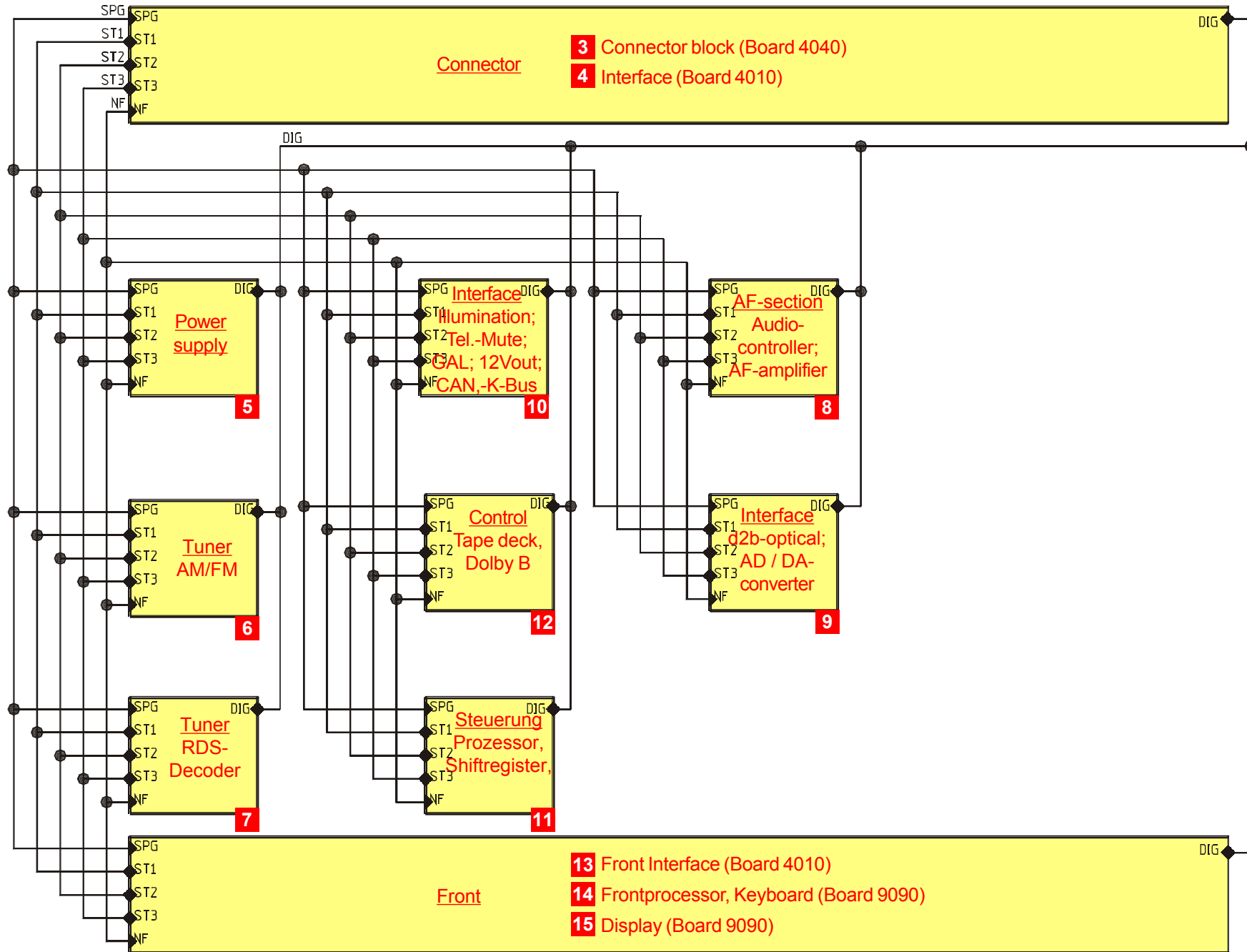
CC-control, Dolby B (Board 4010) ..... 12

## Front

Front-Interface (Board 4010) ..... 13

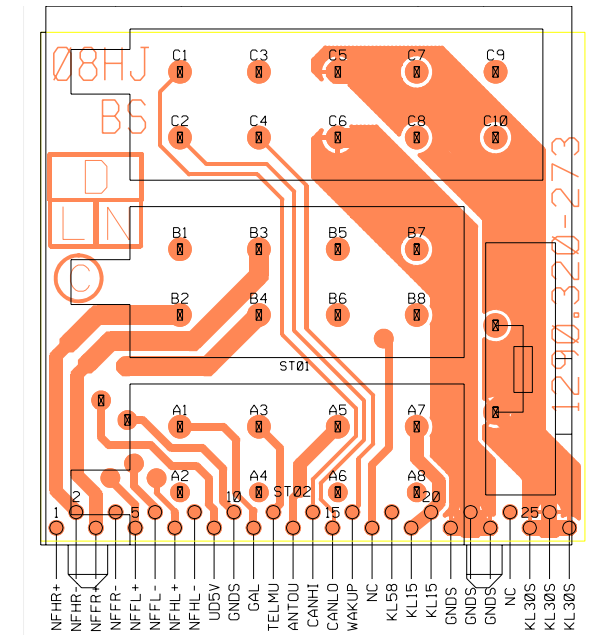
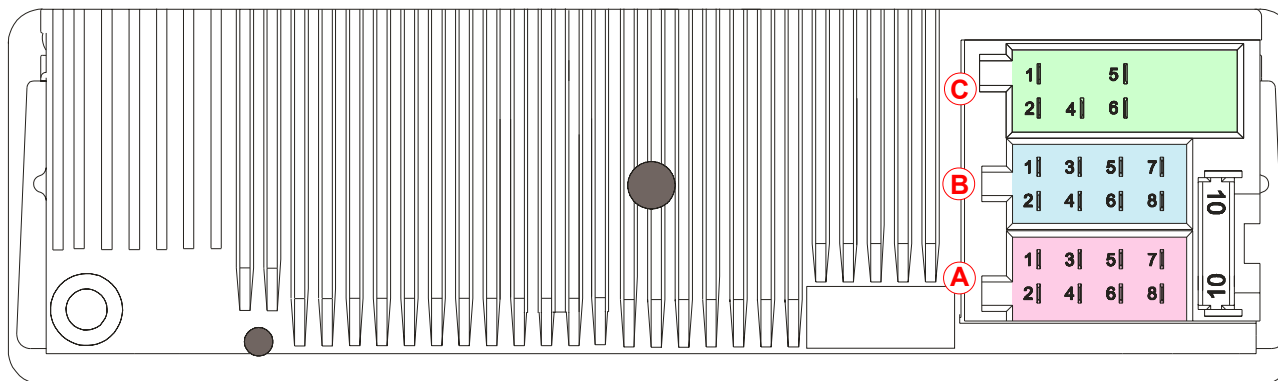
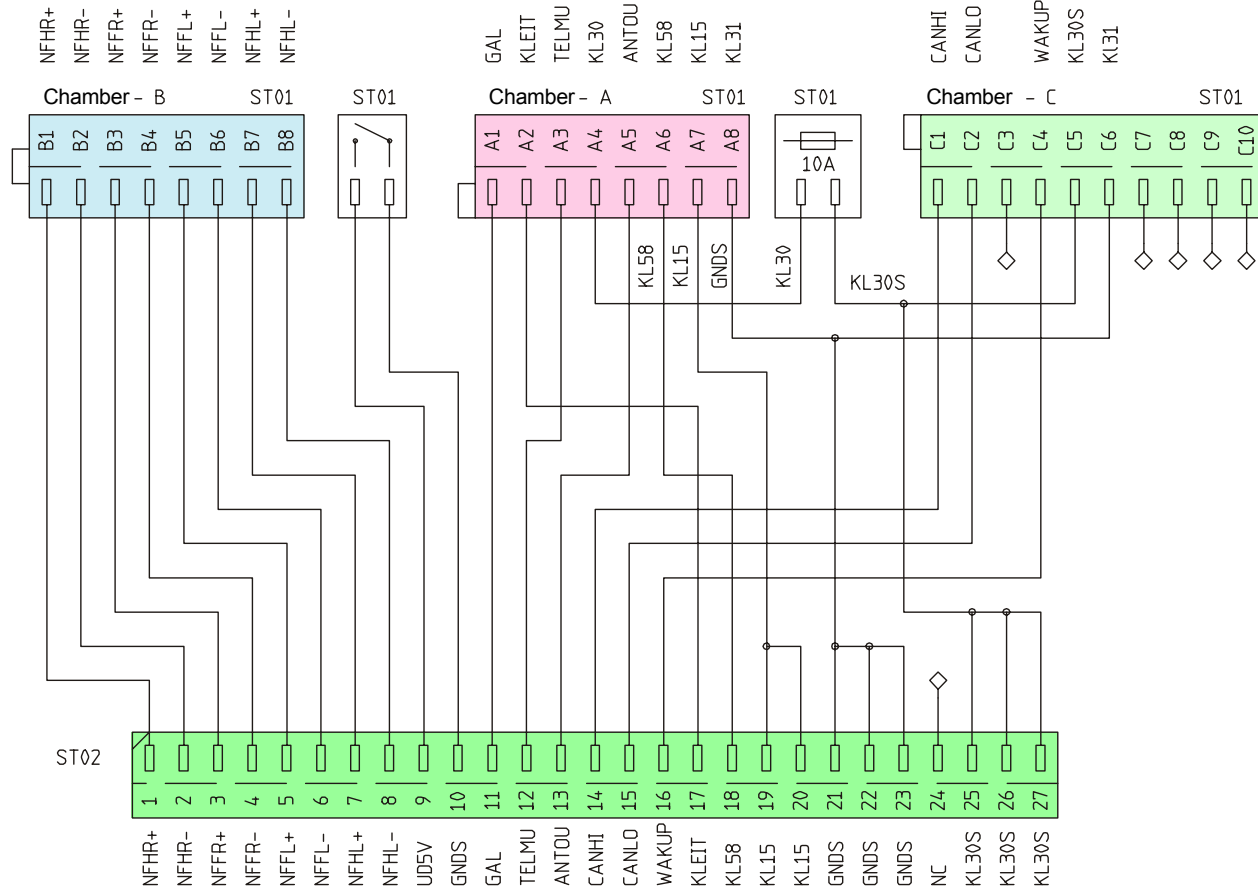
Front-Processor, Keyboard (Board 9090) ..... 14

Display (Board 9090) ..... 15

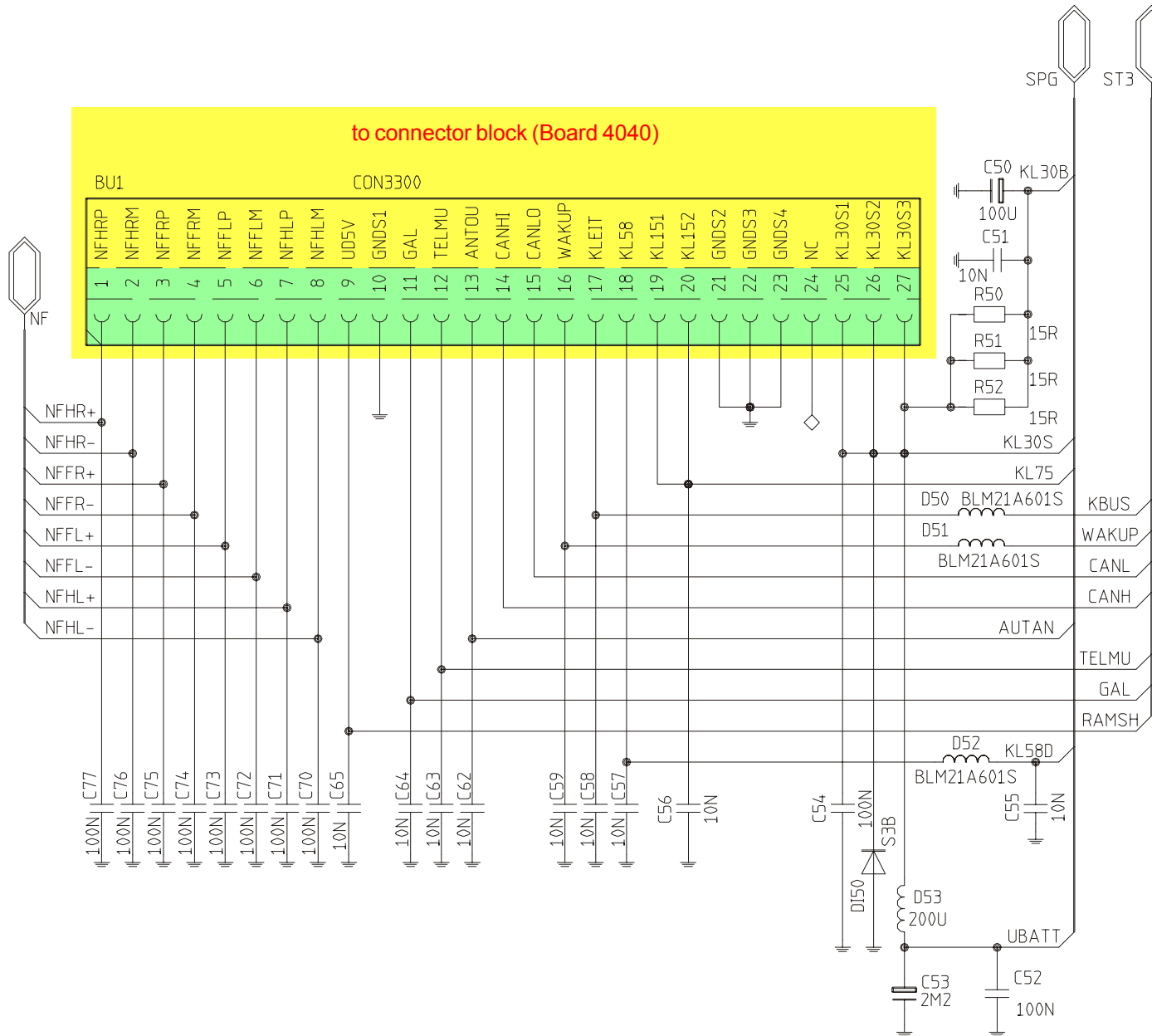


# Circuit diagram - Mercedes Benz MY99

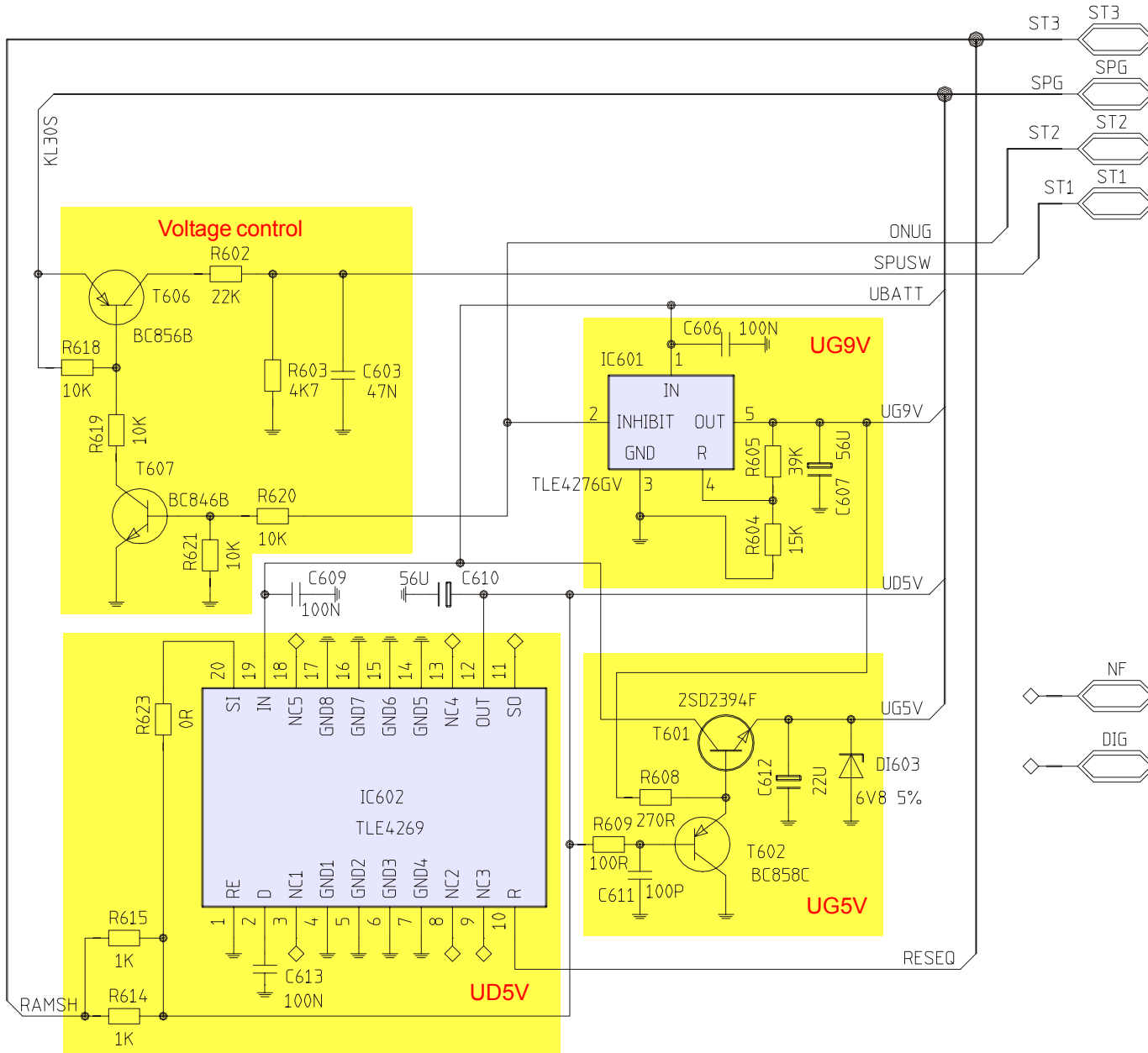
CSD - Version: 24/00

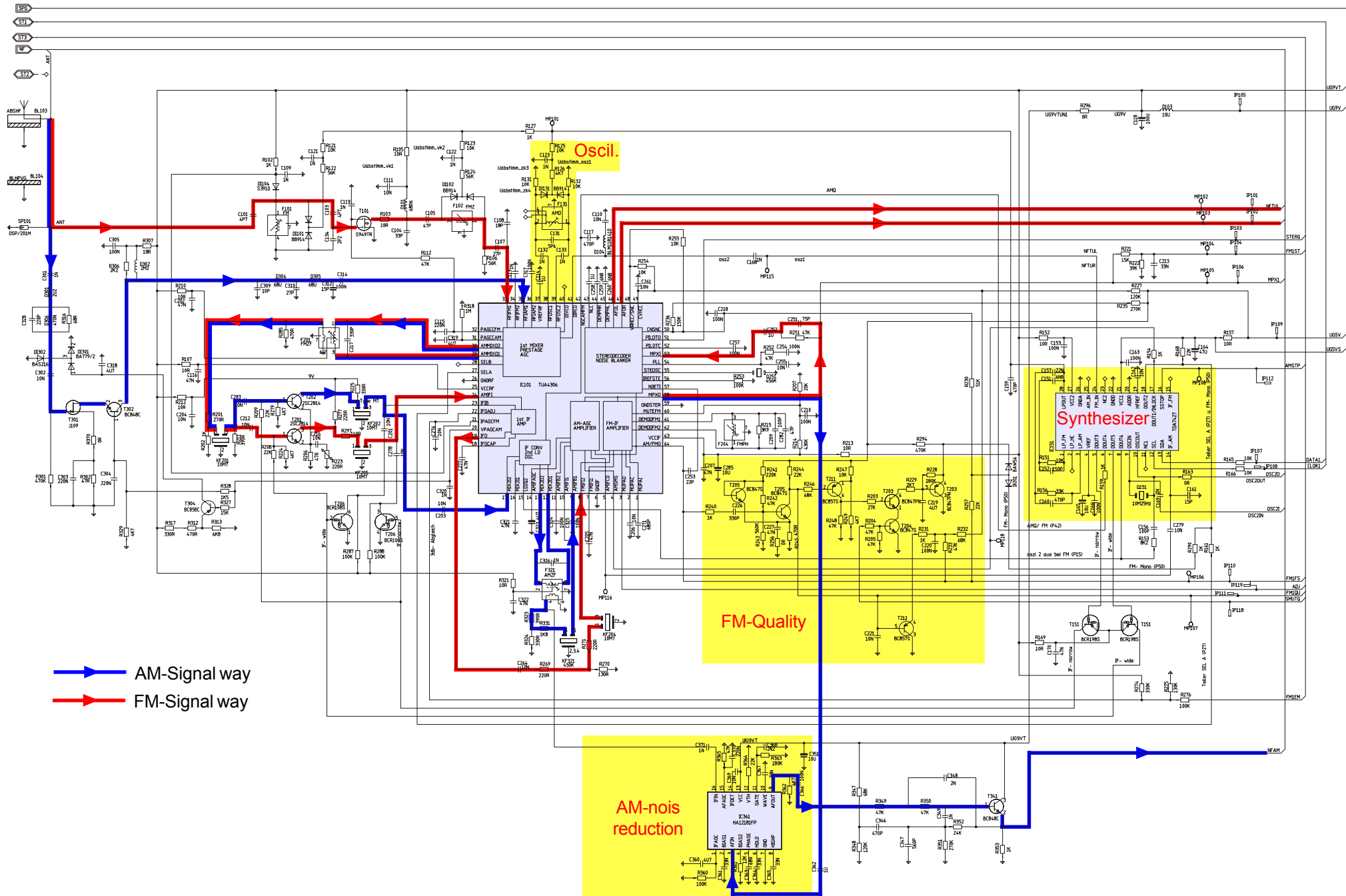


PIN	Chamber A	Chamber B	Chamber C
1	Speed dependent Vol. control	Loudspeaker rear right +	not assigned
2	K-line	Loudspeaker rear right -	not assigned
3	Telephone mute	Loudspeaker front right +	
4	Terminal 30, Battery	Loudspeaker front right -	Wake up line
5	Control output 12V	Loudspeaker front left +	Battery 12V Fuse
6	Battery 12V Fuse	Loudspeaker front left -	Terminal 31, Ground
7	Terminal 15, Ignition	Loudspeaker rear left +	
8	Terminal 31, Ground	Loudspeaker rear left -	

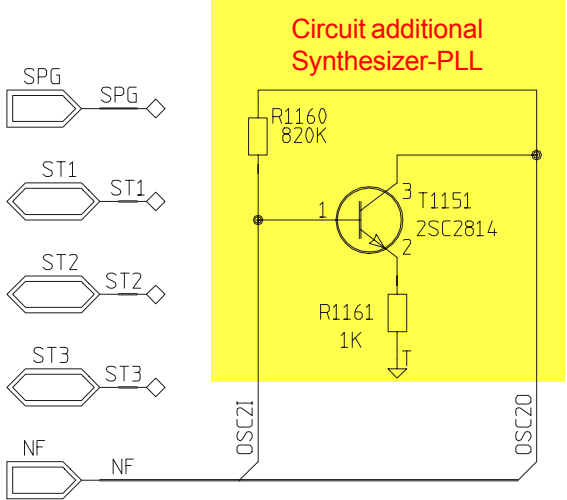
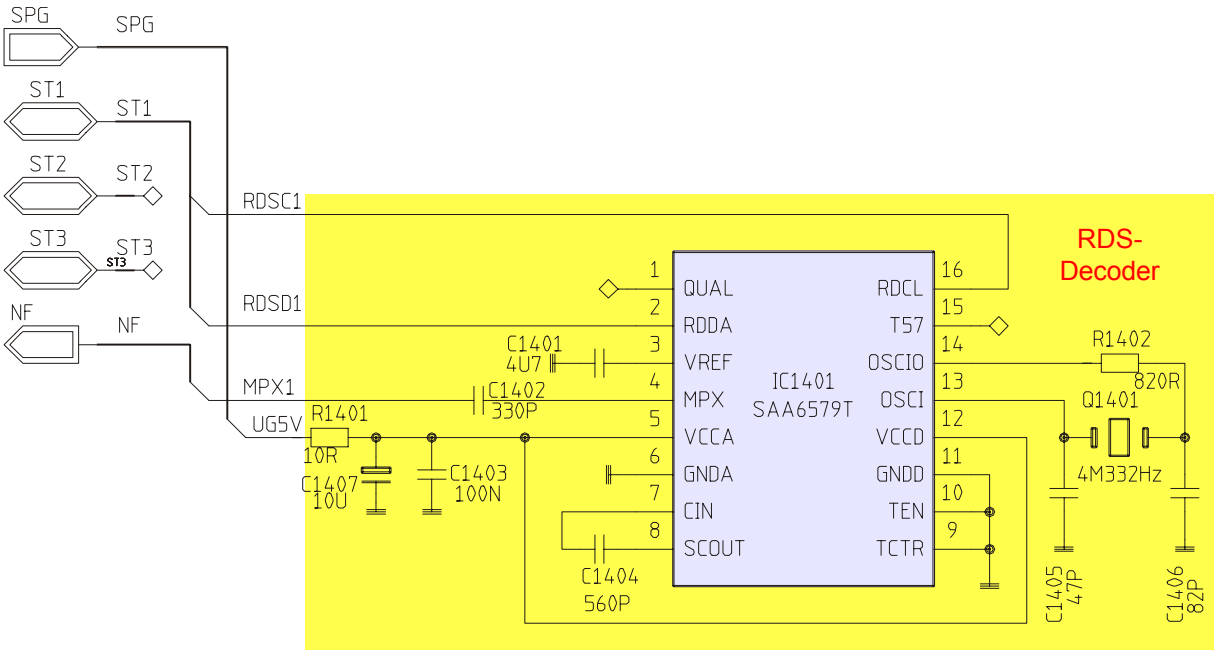


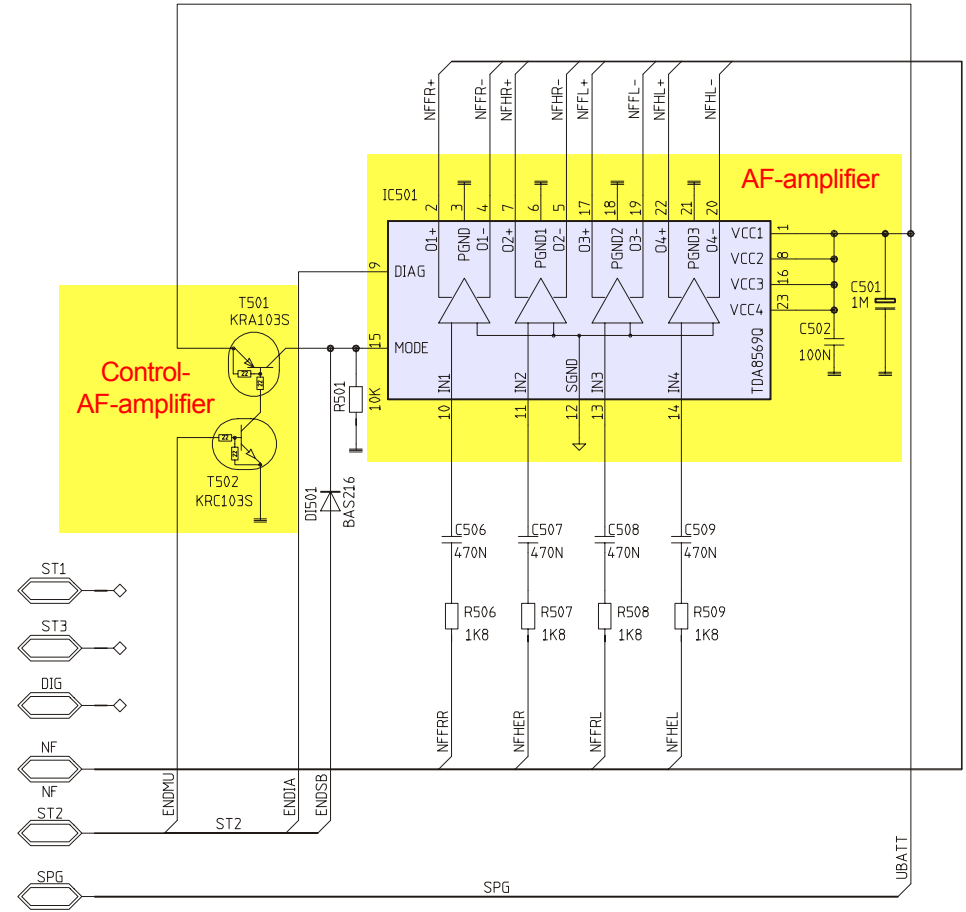
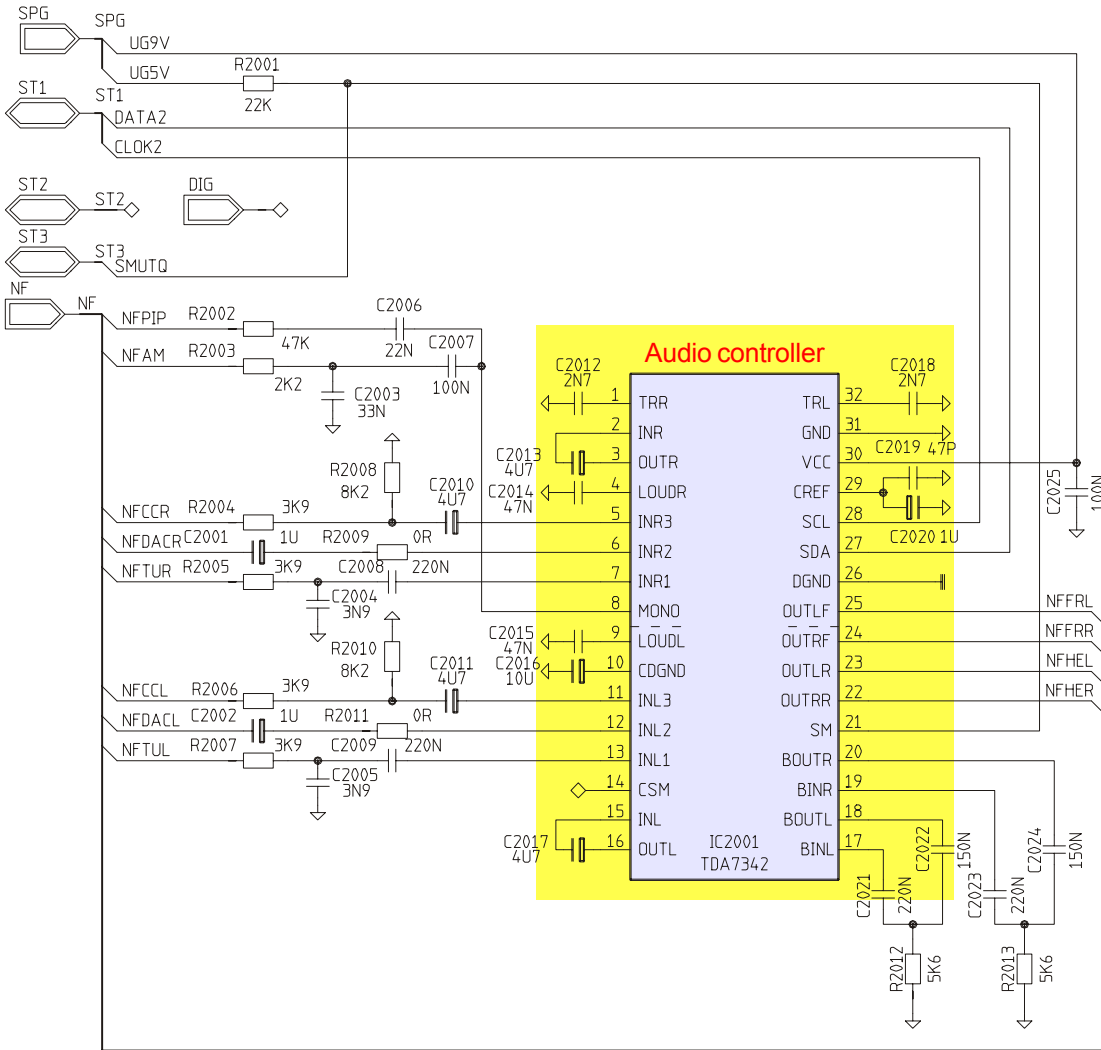


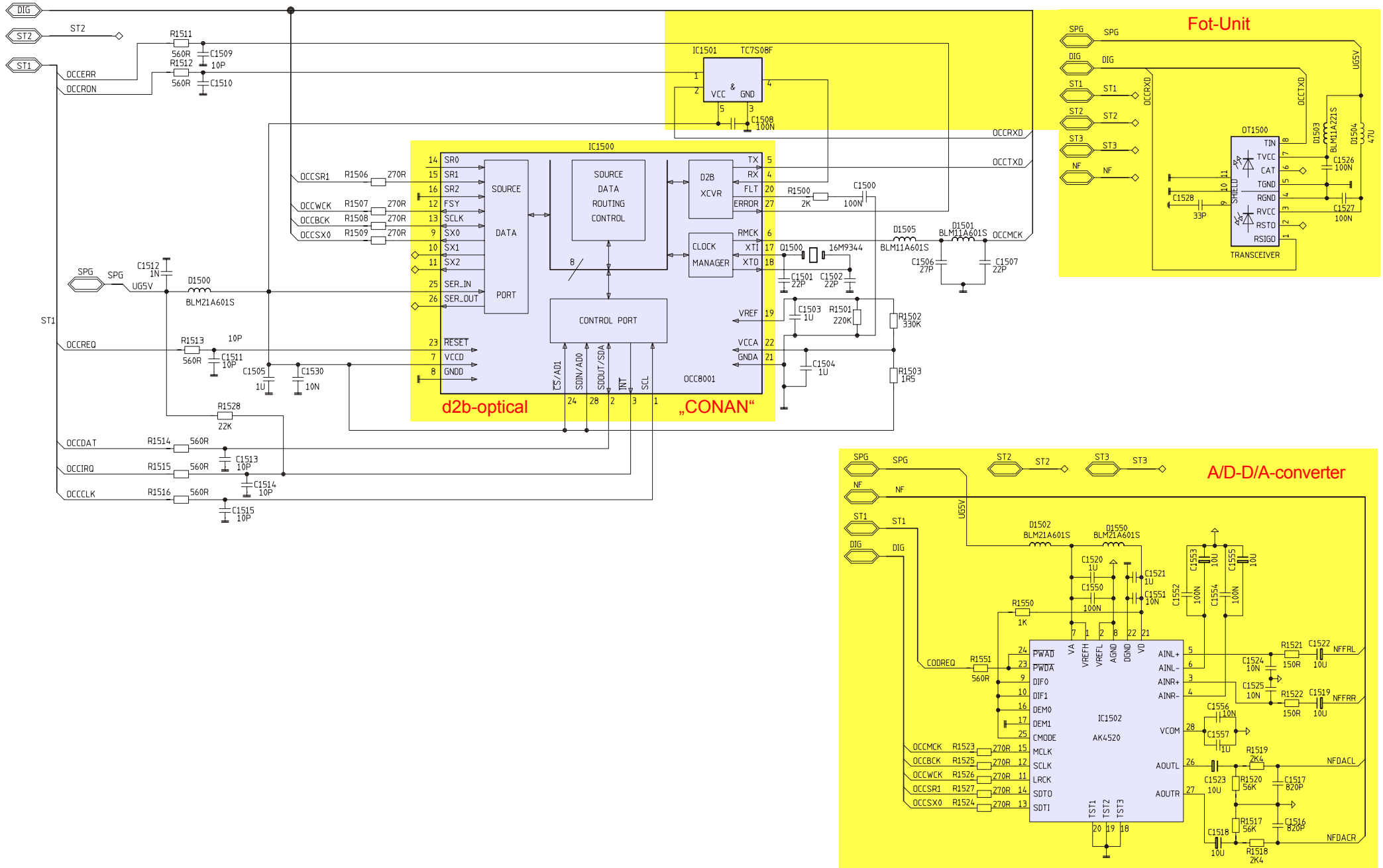


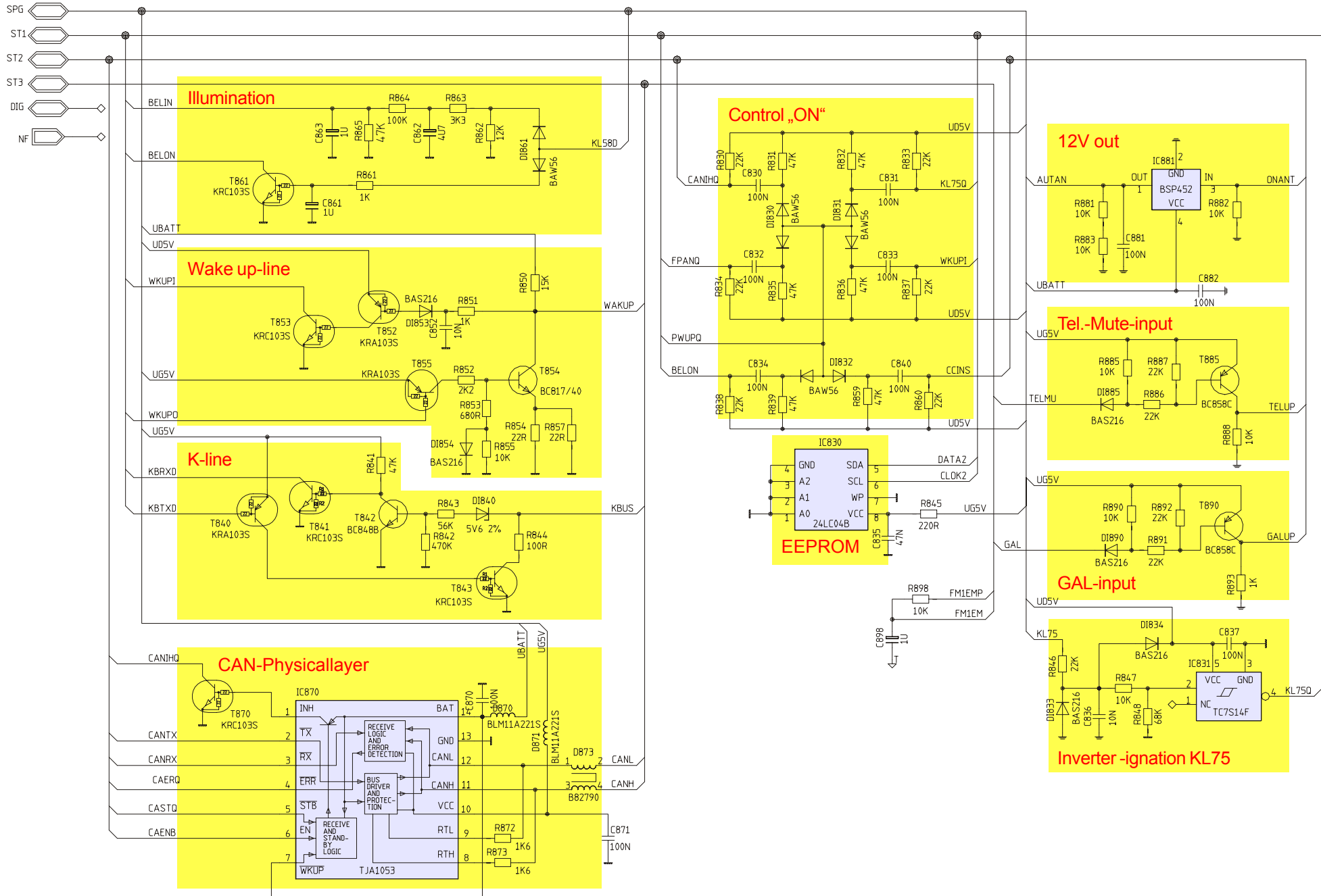


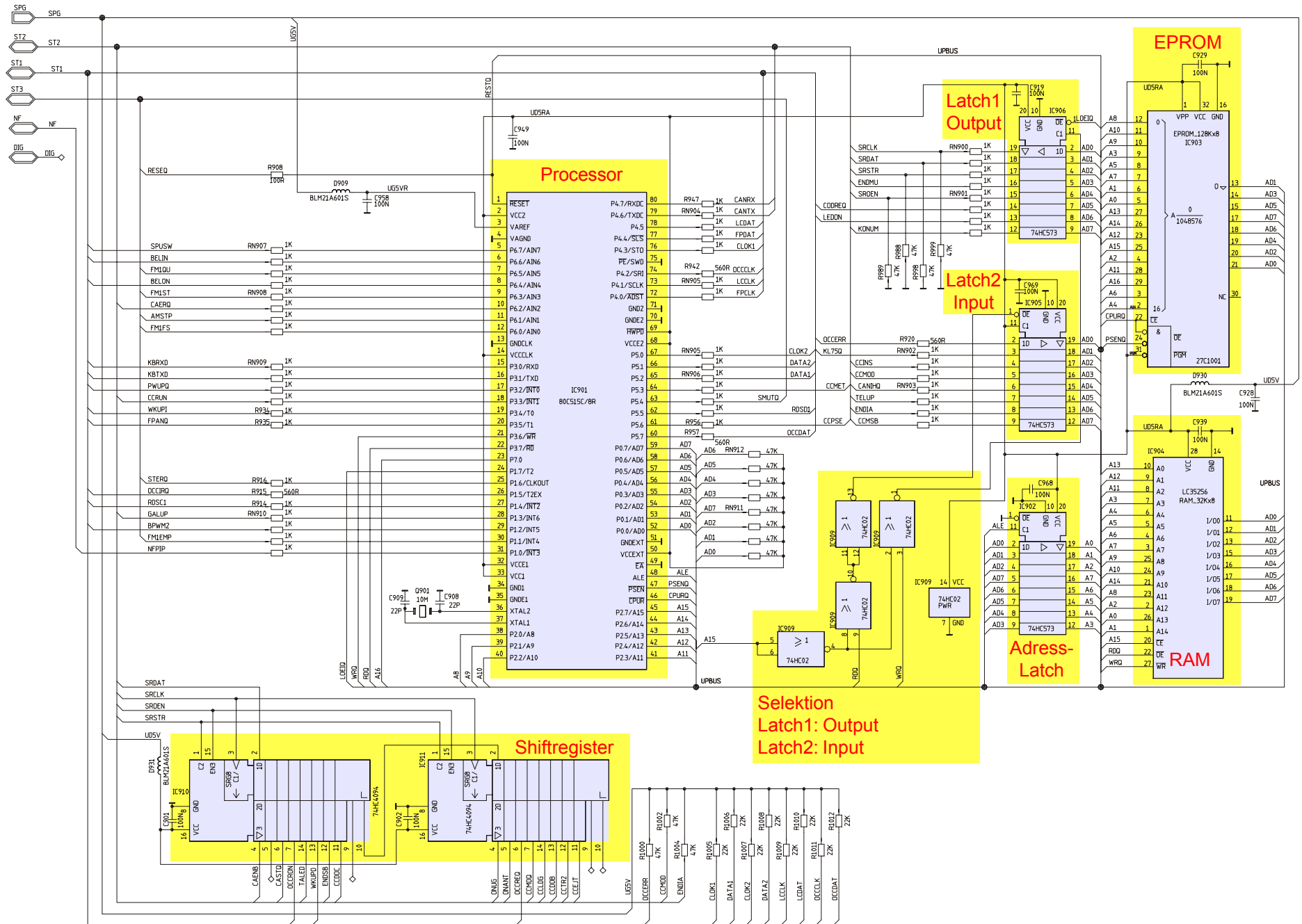
➡ AM-Signal way  
➡ FM-Signal way

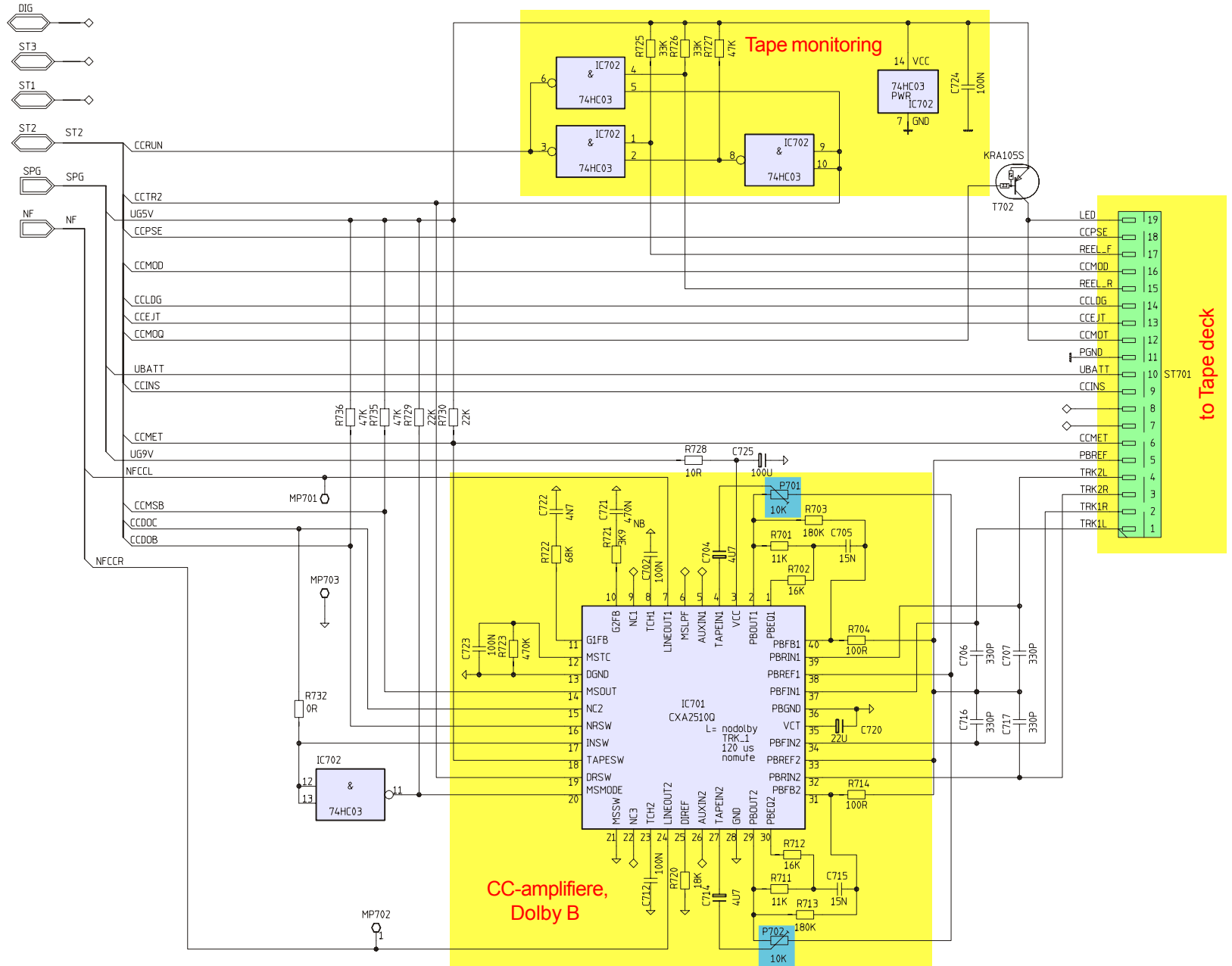




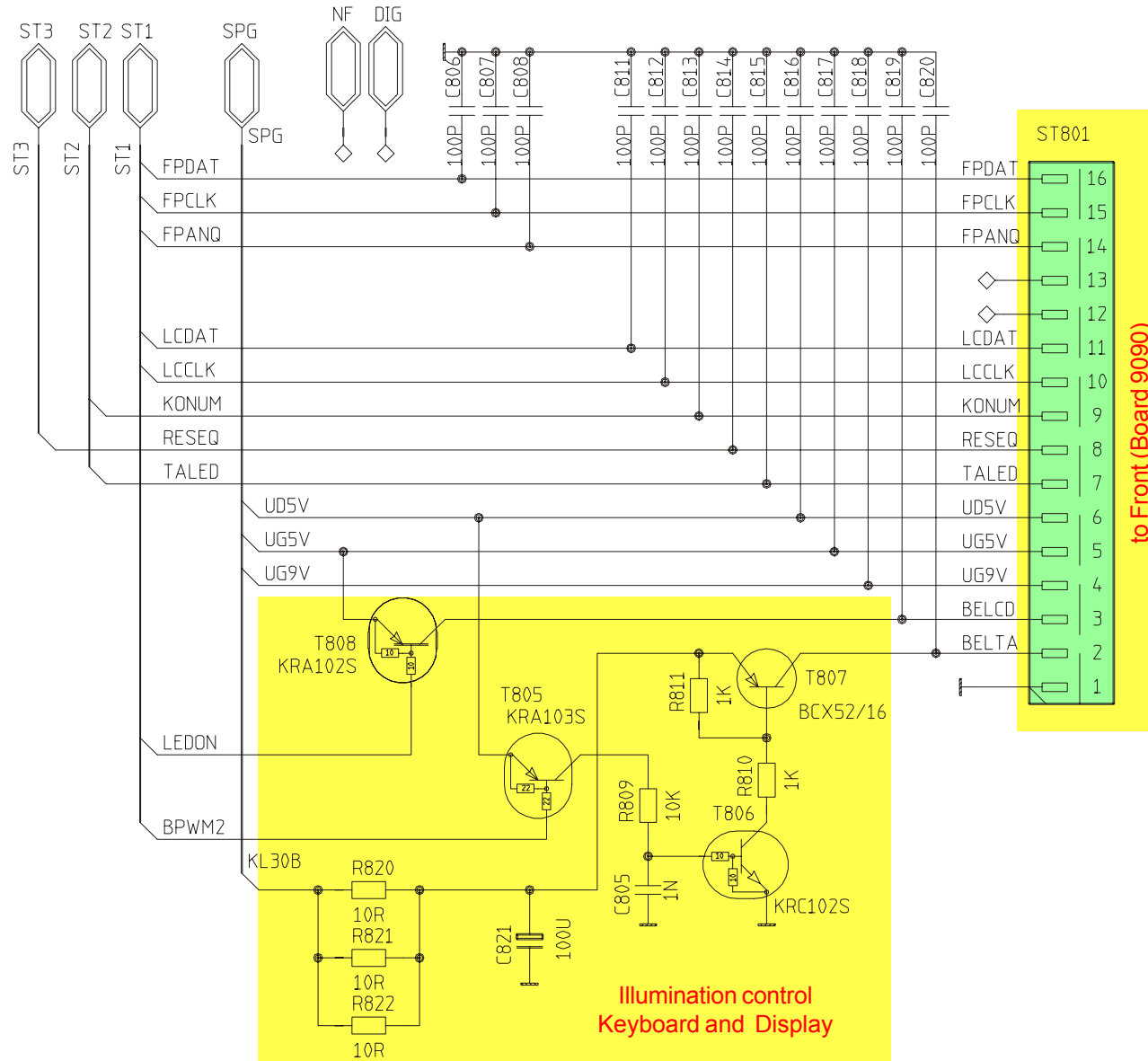


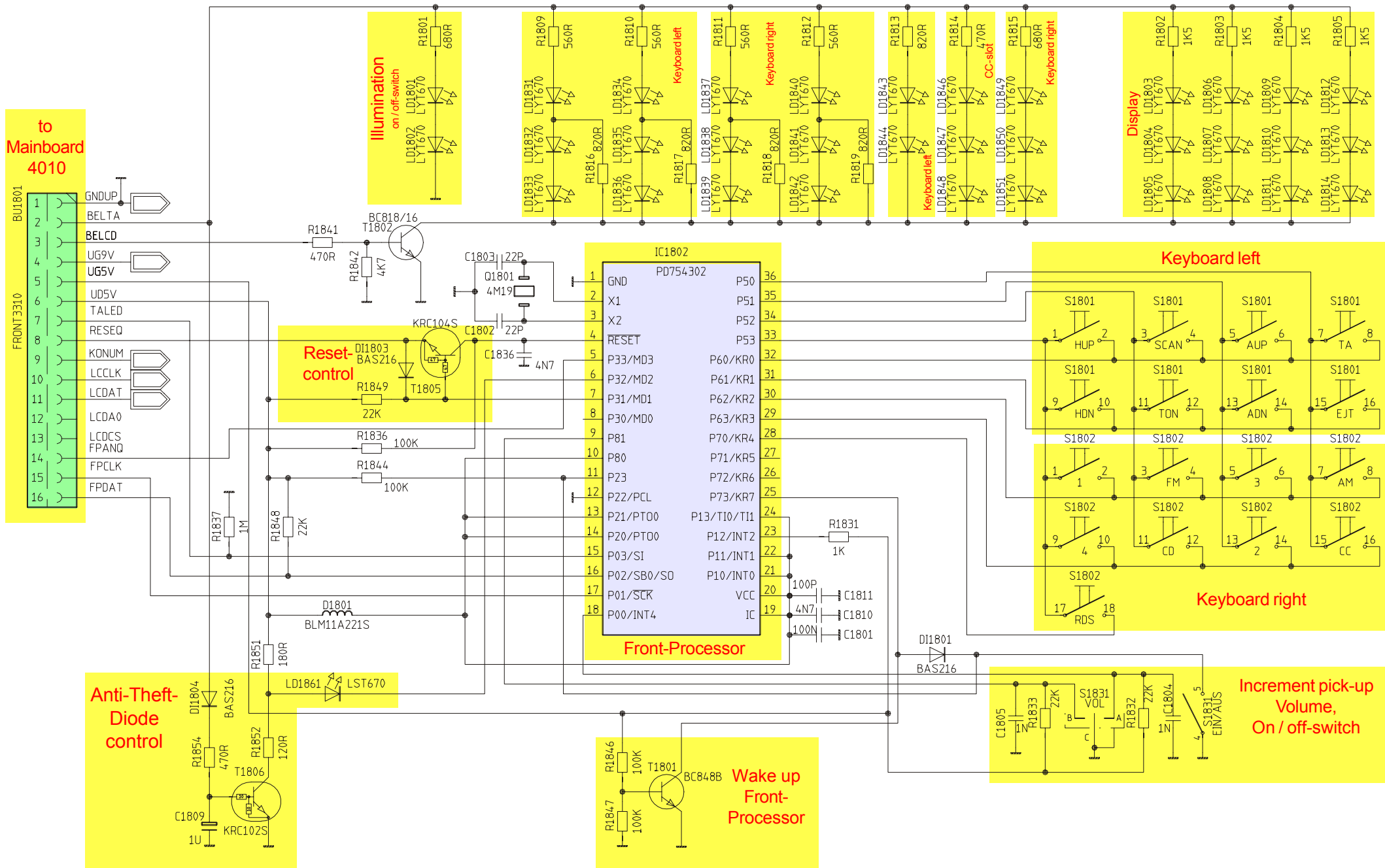


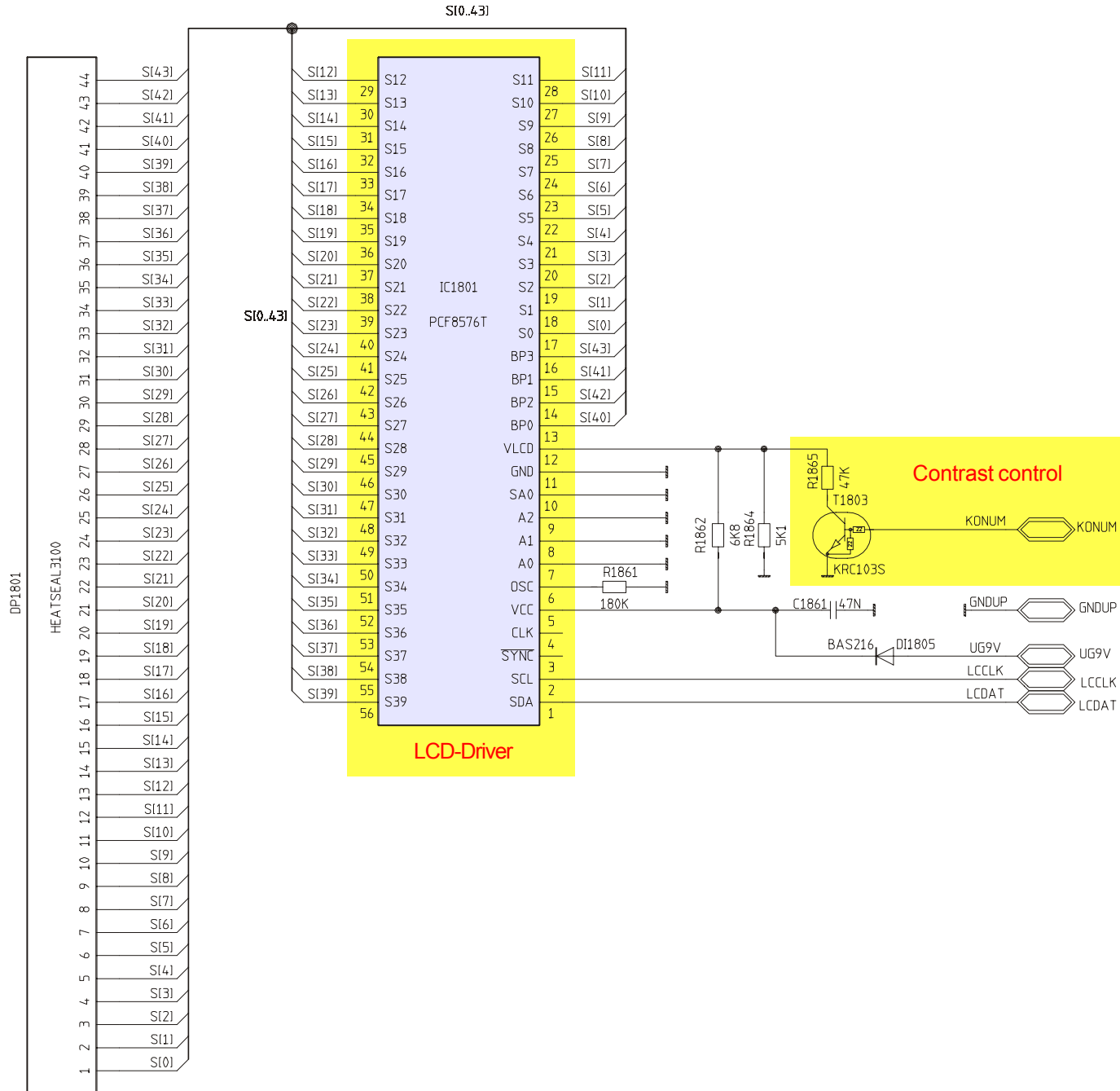












Pos.	Best.-Nr.	Benennung	
1	1284614	CHASSIS VMT	3300
2	1309765	DECKEL, CHASSIS	3200
3	1284622	HALTEFEDER, RECHTS	3300
4	1284630	HALTEFEDER, LINKS	3300
5	1246909	KUEHLKOERPER 3310 WGR11318	
6	1271997	SCHUTZKAPPE -D2B HEADER- AMP	
7	1246917	IC-HALTER	3310
8	1248316	ZB RAHMEN, ABSCHIRM-FM- M.ANT.BUCHSE3130	
9	1278916	ZB CONNECTOR 21 POL D&R K37000300	3300
10	1271210	TAPEDECK ASSY ALP GR71S31B GR-S	
11		BEDIENAUFSATZ (NICHT KPL. LIEFERBAR)	
12	1313266	ZIERBLLENDE KPL. MIT CASSETTENKLAPPE 3100	
13	1342282	SCHALTUNGSPLATTE 9090 FRONT/LCD	
14	1342312	TASTE AUSSCHUB	
15	1342320	TASTE SC	
16	1342339	TASTE STUMM	
17	1342355	TASTE KLANG	
18	1342363	TASTE CC	
19	1342371	TASTE FM	
20	1342381	TASTE AM	
21	1342398	TASTE CD	
22	1342401	TASTENKREUZ SUCHLAUF	
23	1342411	TASTENKREUZ STATIONSTASTEN	
24	1342428	TASTE RDS	
25	1313428	KONTAKTMATTE, LINKS	3100
26	1313436	KONTAKTMATTE, RECHTS	3100
27	1313369	DREHFEDER-VKL-	
28	1313355	VERSCHLUSSKLAPPE BDR	
29	1313339	STEUERUNGSHABEL -VKL-	3100
30	1313347	VERSCHLUSSKLAPPE -STEUERUNG-	3100
31	1284177	DREHKNOPF MRT	3300
32	1313411	LICHTLEITER, CC	3100
C101	1237683	KEKO-CH 4P7 J NP0 0603 BAW SPE0030A315	
C103	1237683	KEKO-CH 4P7 J NP0 0603 BAW SPE0030A315	
C104	1223968	KEKO-CH 33P J NP0 0603 BAW SPE0030A315	
C105	1223976	KEKO-CH 47P J NP0 0603 BAW SPE0030A315	
C107	1243012	KEKO-CH 27P J NPO 0603 BAW SPE0030A315	
C108	1223941	KEKO-CH 18P J NP0 0603 BAW SPE0030A315	
C109	1119060	KEKO-CH 1N K X7R 0805 BAW SPE0015A315	
C110	1119125	KEKO-CH 10N K X7R 0805 BAW SPE0015A315	
C111	1119125	KEKO-CH 10N K X7R 0805 BAW SPE0015A315	
C114	1283499	KEKO-CH 1U K X7R 0805 10V MUR GRM 40	
C115	1246321	KEKO-CH 220N K X7R 1206 BAW SPE0036A315	
C116	1182943	KEKO-CH 47N K X7R 0805 BAW SPE0015A315	
C117	1119222	KEKO-CH 470P K X7R 0805 BAW SPE0015A315	
C118	1306170	AL-ELKO 100U M 1000/85G NCC SRM-VB RM2,5	
C119	1119060	KEKO-CH 1N K X7R 0805 BAW SPE0015A315	
C121	1119060	KEKO-CH 1N K X7R 0805 BAW SPE0015A315	
C122	1119060	KEKO-CH 1N K X7R 0805 BAW SPE0015A315	

C123	1119060	KEKO-CH 1N K X7R 0805 BAW SPE0015A315
C131	1238787	KEKO-CH 5P6 J NP0 0603 BAW SPE0030A315
C132	1119060	KEKO-CH 1N K X7R 0805 BAW SPE0015A315
C133	1119060	KEKO-CH 1N K X7R 0805 BAW SPE0015A315
C134	1226991	KEKO-CH 2P2 J NP0 0603 BAW SPE0030A315
C1401	1283235	KEKO-CH 4U7 K X5R 1206 10V MUR GMR42-6
C1402	1275992	KEKO-CH 330P J NP0 0603 BAW SPE0030A315
C1403	1246348	KEKO-CH 100N K X7R 0805 BAW SPE0035A315
C1404	1156561	KEKO-CH 560P J NP0 0805 BAW SPE0003A315
C1405	1223976	KEKO-CH 47P J NP0 0603 BAW SPE0030A315
C1406	1234463	KEKO-CH 82P J NP0 0603 BAW SPE0030A315
C1407	1243934	AL-ELKO 10U M 16V G BAW SPE0069A31 RM2,5
C1500	1246348	KEKO-CH 100N K X7R 0805 BAW SPE0035A315
C1501	1223951	KEKO-CH 22P J NP0 0603 BAW SPE0030A315
C1502	1223951	KEKO-CH 22P J NP0 0603 BAW SPE0030A315
C1503	1283499	KEKO-CH 1U K X7R 0805 10V MUR GRM 40
C1504	1283499	KEKO-CH 1U K X7R 0805 10V MUR GRM 40
C1505	1283499	KEKO-CH 1U K X7R 0805 10V MUR GRM 40
C1506	1243012	KEKO-CH 27P J NP0 0603 BAW SPE0030A315
C1507	1223951	KEKO-CH 22P J NP0 0603 BAW SPE0030A315
C1508	1246348	KEKO-CH 100N K X7R 0805 BAW SPE0035A315
C1509	1233971	KEKO-CH 10P J NP0 0603 BAW SPE0030A315
C151	1257821	KEKO-CH 6N8 K B 0805 50V PDAG MUR GRM425
C1510	1233971	KEKO-CH 10P J NP0 0603 BAW SPE0030A315
C1511	1233971	KEKO-CH 10P J NP0 0603 BAW SPE0030A315
C1512	1173324	KEKO-CH 1N J NP0 0805 BAW SPE0003A315
C1513	1233971	KEKO-CH 10P J NP0 0603 BAW SPE0030A315
C1514	1233971	KEKO-CH 10P J NP0 0603 BAW SPE0030A315
C1515	1233971	KEKO-CH 10P J NP0 0603 BAW SPE0030A315
C1516	1083899	KEKO-CH 820P J NP0 1206 BAW SPE0006A315
C1517	1083899	KEKO-CH 820P J NP0 1206 BAW SPE0006A315
C1518	1275879	ALKO-CH 10U M 16V I G BAW SPE0162A312
C1519	1275879	ALKO-CH 10U M 16V I G BAW SPE0162A312
C152	1223992	KEKO-CH 150P J NP0 0603 BAW SPE0030A315
C1520	1283499	KEKO-CH 1U K X7R 0805 10V MUR GRM 40
C1521	1283499	KEKO-CH 1U K X7R 0805 10V MUR GRM 40
C1522	1275879	ALKO-CH 10U M 16V I G BAW SPE0162A312
C1523	1275879	ALKO-CH 10U M 16V I G BAW SPE0162A312
C1524	1253441	FOKO-CH 10N J 1206 50V G PAN ECHU
C1525	1253441	FOKO-CH 10N J 1206 50V G PAN ECHU
C1526	1246348	KEKO-CH 100N K X7R 0805 BAW SPE0035A315
C1527	1246348	KEKO-CH 100N K X7R 0805 BAW SPE0035A315
C1528	1223968	KEKO-CH 33P J NP0 0603 BAW SPE0030A315
C153	1246348	KEKO-CH 100N K X7R 0805 BAW SPE0035A315
C1530	1119117	KEKO-CH 10N J X7R 0805 BAW SPE0014A315
C1550	1246348	KEKO-CH 100N K X7R 0805 BAW SPE0035A315
C1551	1119117	KEKO-CH 10N J X7R 0805 BAW SPE0014A315
C1552	1246348	KEKO-CH 100N K X7R 0805 BAW SPE0035A315
C1553	1275879	ALKO-CH 10U M 16V I G BAW SPE0162A312
C1554	1246348	KEKO-CH 100N K X7R 0805 BAW SPE0035A315

C1555	1275879	ALKO-CH 10U M 16V I G BAW SPE0162A312
C1556	1119117	KEKO-CH 10N J X7R 0805 BAW SPE0014A315
C1557	1283499	KEKO-CH 1U K X7R 0805 10V MUR GRM 40
C156	1234536	KEKO-CH 100P J NP0 0603 BAW SPE0030A315
C157	1119176	KEKO-CH 22N J X7R 0805 BAW SPE0014A315
C159	1119222	KEKO-CH 470P K X7R 0805 BAW SPE0015A315
C160	1252690	KEKO-CH 470P J NP0 0603 BAW SPE0030A315
C161	1223933	KEKO-CH 15P J NP0 0603 BAW SPE0030A315
C162	1119125	KEKO-CH 10N K X7R 0805 BAW SPE0015A315
C163	1246348	KEKO-CH 100N K X7R 0805 BAW SPE0035A315
C164	1172050	AL-ELKO 47U M 16V G BAW SPE0060A31 RM2,5
C165	1243934	AL-ELKO 10U M 16V G BAW SPE0069A31 RM2,5
C166	1246348	KEKO-CH 100N K X7R 0805 BAW SPE0035A315
C168	1119060	KEKO-CH 1N K X7R 0805 BAW SPE0015A315
C169	1119060	KEKO-CH 1N K X7R 0805 BAW SPE0015A315
C170	1182943	KEKO-CH 47N K X7R 0805 BAW SPE0015A315
C1801	1246348	KEKO-CH 100N K X7R 0805 BAW SPE0035A315
C1802	1223951	KEKO-CH 22P J NP0 0603 BAW SPE0030A315
C1803	1223951	KEKO-CH 22P J NP0 0603 BAW SPE0030A315
C1804	1173324	KEKO-CH 1N J NP0 0805 BAW SPE0003A315
C1805	1173324	KEKO-CH 1N J NP0 0805 BAW SPE0003A315
C1809	1238647	TAKO-CH 1U K B G 35V BAW SPE0005A313
C1810	1166751	KEKO-CH 4N7 K X7R 0805 BAW SPE0015A315
C1811	1234536	KEKO-CH 100P J NP0 0603 BAW SPE0030A315
C1836	1166751	KEKO-CH 4N7 K X7R 0805 BAW SPE0015A315
C1861	1182943	KEKO-CH 47N K X7R 0805 BAW SPE0015A315
C2001	1258907	ALKO-CH 1U M 50V I G BAW SPE0161A312
C2002	1258907	ALKO-CH 1U M 50V I G BAW SPE0161A312
C2003	1119192	KEKO-CH 33N K X7R 0805 BAW SPE0015A315
C2004	1296116	KEKO-CH 3N9 K X7R 0603 50V BAW SPE0032A3
C2005	1296116	KEKO-CH 3N9 K X7R 0603 50V BAW SPE0032A3
C2006	1119176	KEKO-CH 22N J X7R 0805 BAW SPE0014A315
C2007	1246348	KEKO-CH 100N K X7R 0805 BAW SPE0035A315
C2008	1255711	KEKO-CH 220N J X7R 1206 BAW SPE0037A315
C2009	1255711	KEKO-CH 220N J X7R 1206 BAW SPE0037A315
C201	1119125	KEKO-CH 10N K X7R 0805 BAW SPE0015A315
C2010	1307797	ALKO-CH 4U7 M 25V I G BAW SPE0164A312
C2011	1307797	ALKO-CH 4U7 M 25V I G BAW SPE0164A312
C2012	1083945	KEKO-CH 2N7 J NP0 1206 BAW SPE0007A315
C2013	1307797	ALKO-CH 4U7 M 25V I G BAW SPE0164A312
C2014	1182943	KEKO-CH 47N K X7R 0805 BAW SPE0015A315
C2015	1182943	KEKO-CH 47N K X7R 0805 BAW SPE0015A315
C2016	1275879	ALKO-CH 10U M 16V I G BAW SPE0162A312
C2017	1307797	ALKO-CH 4U7 M 25V I G BAW SPE0164A312
C2018	1083945	KEKO-CH 2N7 J NP0 1206 BAW SPE0007A315
C2019	1223976	KEKO-CH 47P J NP0 0603 BAW SPE0030A315
C202	1182943	KEKO-CH 47N K X7R 0805 BAW SPE0015A315
C2020	1258907	ALKO-CH 1U M 50V I G BAW SPE0161A312
C2021	1255711	KEKO-CH 220N J X7R 1206 BAW SPE0037A315
C2022	1288962	KEKO-CH 150N K X7R 0805 25V MUR GRM40

C2023	1255711	KEKO-CH 220N J X7R 1206 BAW SPE0037A315
C2024	1288962	KEKO-CH 150N K X7R 0805 25V MUR GRM40
C2025	1246348	KEKO-CH 100N K X7R 0805 BAW SPE0035A315
C203	1119125	KEKO-CH 10N K X7R 0805 BAW SPE0015A315
C204	1119125	KEKO-CH 10N K X7R 0805 BAW SPE0015A315
C205	1182943	KEKO-CH 47N K X7R 0805 BAW SPE0015A315
C206	1119125	KEKO-CH 10N K X7R 0805 BAW SPE0015A315
C207	1182943	KEKO-CH 47N K X7R 0805 BAW SPE0015A315
C209	1234536	KEKO-CH 100P J NP0 0603 BAW SPE0030A315
C210	1246348	KEKO-CH 100N K X7R 0805 BAW SPE0035A315
C212	1119125	KEKO-CH 10N K X7R 0805 BAW SPE0015A315
C213	1119192	KEKO-CH 33N K X7R 0805 BAW SPE0015A315
C216	1119125	KEKO-CH 10N K X7R 0805 BAW SPE0015A315
C217	1290681	KEKO-CH 330P J P2H 0805 50V MUR GRM40
C218	1246348	KEKO-CH 100N K X7R 0805 BAW SPE0035A315
C219	1283235	KEKO-CH 4U7 K X5R 1206 10V MUR GMR42-6
C220	1246348	KEKO-CH 100N K X7R 0805 BAW SPE0035A315
C221	1119125	KEKO-CH 10N K X7R 0805 BAW SPE0015A315
C226	1275992	KEKO-CH 330P J NP0 0603 BAW SPE0030A315
C227	1182943	KEKO-CH 47N K X7R 0805 BAW SPE0015A315
C251	1320513	KEKO-CH 75P J NPO 0603 BAW SPE0030A315
C252	1283499	KEKO-CH 1U K X7R 0805 10V MUR GRM 40
C253	1223951	KEKO-CH 22P J NP0 0603 BAW SPE0030A315
C254	1246348	KEKO-CH 100N K X7R 0805 BAW SPE0035A315
C255	1119125	KEKO-CH 10N K X7R 0805 BAW SPE0015A315
C257	1246348	KEKO-CH 100N K X7R 0805 BAW SPE0035A315
C258	1283499	KEKO-CH 1U K X7R 0805 10V MUR GRM 40
C259	1166409	KEKO-CH 6N8 J X7R 0805 BAW SPE0014A315
C260	1166409	KEKO-CH 6N8 J X7R 0805 BAW SPE0014A315
C261	1119125	KEKO-CH 10N K X7R 0805 BAW SPE0015A315
C264	1119125	KEKO-CH 10N K X7R 0805 BAW SPE0015A315
C271	1277790	KEKO-CH 680P J COH 0603 25V G MUR GRM39
C276	1119125	KEKO-CH 10N K X7R 0805 BAW SPE0015A315
C277	1182943	KEKO-CH 47N K X7R 0805 BAW SPE0015A315
C278	1119125	KEKO-CH 10N K X7R 0805 BAW SPE0015A315
C279	1119125	KEKO-CH 10N K X7R 0805 BAW SPE0015A315
C282	1301497	KEKO-CH 47P J P2H 0603 MUR GRM39
C283	1119125	KEKO-CH 10N K X7R 0805 BAW SPE0015A315
C285	1243934	AL-ELKO 10U M 16V G BAW SPE0069A31 RM2,5
C301	1230077	KEKO-CH 1N J NPO 0603 50V AVX CM105
C302	1119125	KEKO-CH 10N K X7R 0805 BAW SPE0015A315
C303	1246321	KEKO-CH 220N K X7R 1206 BAW SPE0036A315
C304	1246321	KEKO-CH 220N K X7R 1206 BAW SPE0036A315
C305	1246348	KEKO-CH 100N K X7R 0805 BAW SPE0035A315
C309	1233971	KEKO-CH 10P J NP0 0603 BAW SPE0030A315
C310	1243012	KEKO-CH 27P J NPO 0603 BAW SPE0030A315
C312	1223933	KEKO-CH 15P J NP0 0603 BAW SPE0030A315
C314	1246348	KEKO-CH 100N K X7R 0805 BAW SPE0035A315
C317	1246348	KEKO-CH 100N K X7R 0805 BAW SPE0035A315
C318	1283235	KEKO-CH 4U7 K X5R 1206 10V MUR GMR42-6

C319	1283235	KEKO-CH 4U7 K X5R 1206 10V MUR GMR42-6
C320	1119060	KEKO-CH 1N K X7R 0805 BAW SPE0015A315
C321	1182943	KEKO-CH 47N K X7R 0805 BAW SPE0015A315
C322	1182943	KEKO-CH 47N K X7R 0805 BAW SPE0015A315
C323	1173278	AL-ELKO 4U7 M 25V G BAW SPE0071A31 RM2,5
C324	1246348	KEKO-CH 100N K X7R 0805 BAW SPE0035A315
C325	1246348	KEKO-CH 100N K X7R 0805 BAW SPE0035A315
C326	1218506	KEKO-CH 1N J U2J 0805 MUR GRM40
C328	1259253	KEKO-CH 220P J NPO 0603 BAW SPE0030A315
C346	1162241	KEKO-CH 470P G NP0 0805 BAW SPE0027A315
C347	1162284	KEKO-CH 560P G NP0 0805 BAW SPE0027A315
C348	1254782	KEKO-CH 2N G NP0 0805 50V MUR GRM40
C349	1239961	KEKO-CH 1N F NP0 0805 BAW SPE0029A315
C351	1243934	AL-ELKO 10U M 16V G BAW SPE0069A31 RM2,5
C360	1283235	KEKO-CH 4U7 K X5R 1206 10V MUR GMR42-6
C361	1119192	KEKO-CH 33N K X7R 0805 BAW SPE0015A315
C362	1283499	KEKO-CH 1U K X7R 0805 10V MUR GRM 40
C363	1270648	KEKO-CH 68N J X7R 0805 25V MUR GRM40
C364	1119192	KEKO-CH 33N K X7R 0805 BAW SPE0015A315
C365	1119192	KEKO-CH 33N K X7R 0805 BAW SPE0015A315
C366	1246348	KEKO-CH 100N K X7R 0805 BAW SPE0035A315
C367	1119192	KEKO-CH 33N K X7R 0805 BAW SPE0015A315
C368	1276220	KEKO-CH 2N2 J X7R 0805 50V BAW SPE0014A
C369	1119125	KEKO-CH 10N K X7R 0805 BAW SPE0015A315
C370	1246321	KEKO-CH 220N K X7R 1206 BAW SPE0036A315
C371	1119060	KEKO-CH 1N K X7R 0805 BAW SPE0015A315
C50	1229974	AL-ELKO 100U M 25V I G BAW SPE0108 RM2,5
C501	1186973	AL-ELKO 1M M 25V G BAW SPE0074A312-RM5
C502	1246348	KEKO-CH 100N K X7R 0805 BAW SPE0035A315
C506	1281641	FOKO 470N J 50V G BAW SPE0018A314 RM5
C507	1281641	FOKO 470N J 50V G BAW SPE0018A314 RM5
C508	1281641	FOKO 470N J 50V G BAW SPE0018A314 RM5
C509	1281641	FOKO 470N J 50V G BAW SPE0018A314 RM5
C51	1119125	KEKO-CH 10N K X7R 0805 BAW SPE0015A315
C52	1246348	KEKO-CH 100N K X7R 0805 BAW SPE0035A315
C53	1290282	AL-ELKO 2M2 M 25V G BAW SPE0084A312RM7,5
C54	1246348	KEKO-CH 100N K X7R 0805 BAW SPE0035A315
C55	1119125	KEKO-CH 10N K X7R 0805 BAW SPE0015A315
C56	1119125	KEKO-CH 10N K X7R 0805 BAW SPE0015A315
C57	1119125	KEKO-CH 10N K X7R 0805 BAW SPE0015A315
C58	1119125	KEKO-CH 10N K X7R 0805 BAW SPE0015A315
C59	1119125	KEKO-CH 10N K X7R 0805 BAW SPE0015A315
C603	1182943	KEKO-CH 47N K X7R 0805 BAW SPE0015A315
C606	1246348	KEKO-CH 100N K X7R 0805 BAW SPE0035A315
C607	1253360	AL-ELKO 56U M 2000/105 16V NCC SXE-VB F0
C609	1246348	KEKO-CH 100N K X7R 0805 BAW SPE0035A315
C610	1253360	AL-ELKO 56U M 2000/105 16V NCC SXE-VB F0
C611	1234536	KEKO-CH 100P J NP0 0603 BAW SPE0030A315
C612	1249150	AL-ELKO 22U M 16V BAW SPE0067A312-RM2,5
C613	1246348	KEKO-CH 100N K X7R 0805 BAW SPE0035A315



C62	1119125	KEKO-CH 10N K X7R 0805 BAW SPE0015A315
C63	1119125	KEKO-CH 10N K X7R 0805 BAW SPE0015A315
C64	1119125	KEKO-CH 10N K X7R 0805 BAW SPE0015A315
C65	1119125	KEKO-CH 10N K X7R 0805 BAW SPE0015A315
C70	1246348	KEKO-CH 100N K X7R 0805 BAW SPE0035A315
C702	1281437	FOKO 100N J 63V G BAW SPE0015A314 RM5
C704	1307797	ALKO-CH 4U7 M 25V I G BAW SPE0164A312
C705	1281283	FOKO 15N J 63V G BAW SPE0010A314 RM5
C706	1275992	KEKO-CH 330P J NP0 0603 BAW SPE0030A315
C707	1275992	KEKO-CH 330P J NP0 0603 BAW SPE0030A315
C71	1246348	KEKO-CH 100N K X7R 0805 BAW SPE0035A315
C712	1281437	FOKO 100N J 63V G BAW SPE0015A314 RM5
C714	1307797	ALKO-CH 4U7 M 25V I G BAW SPE0164A312
C715	1281283	FOKO 15N J 63V G BAW SPE0010A314 RM5
C716	1275992	KEKO-CH 330P J NP0 0603 BAW SPE0030A315
C717	1275992	KEKO-CH 330P J NP0 0603 BAW SPE0030A315
C72	1246348	KEKO-CH 100N K X7R 0805 BAW SPE0035A315
C720	1249150	AL-ELKO 22U M 16V BAW SPE0067A312-RM2,5
C721	1252585	KEKO-CH 470N J X5R 1206 16V MUR GRM42-6
C722	1166751	KEKO-CH 4N7 K X7R 0805 BAW SPE0015A315
C723	1246348	KEKO-CH 100N K X7R 0805 BAW SPE0035A315
C724	1246348	KEKO-CH 100N K X7R 0805 BAW SPE0035A315
C725	1172085	AL-ELKO 100U M 16V G BAW SPE0063A3 RM2,5
C73	1246348	KEKO-CH 100N K X7R 0805 BAW SPE0035A315
C74	1246348	KEKO-CH 100N K X7R 0805 BAW SPE0035A315
C75	1246348	KEKO-CH 100N K X7R 0805 BAW SPE0035A315
C76	1246348	KEKO-CH 100N K X7R 0805 BAW SPE0035A315
C77	1246348	KEKO-CH 100N K X7R 0805 BAW SPE0035A315
C805	1119060	KEKO-CH 1N K X7R 0805 BAW SPE0015A315
C806	1234536	KEKO-CH 100P J NP0 0603 BAW SPE0030A315
C807	1234536	KEKO-CH 100P J NP0 0603 BAW SPE0030A315
C808	1234536	KEKO-CH 100P J NP0 0603 BAW SPE0030A315
C811	1234536	KEKO-CH 100P J NP0 0603 BAW SPE0030A315
C812	1234536	KEKO-CH 100P J NP0 0603 BAW SPE0030A315
C813	1234536	KEKO-CH 100P J NP0 0603 BAW SPE0030A315
C814	1234536	KEKO-CH 100P J NP0 0603 BAW SPE0030A315
C815	1234536	KEKO-CH 100P J NP0 0603 BAW SPE0030A315
C816	1234536	KEKO-CH 100P J NP0 0603 BAW SPE0030A315
C817	1234536	KEKO-CH 100P J NP0 0603 BAW SPE0030A315
C818	1234536	KEKO-CH 100P J NP0 0603 BAW SPE0030A315
C819	1234536	KEKO-CH 100P J NP0 0603 BAW SPE0030A315
C820	1234536	KEKO-CH 100P J NP0 0603 BAW SPE0030A315
C821	1229974	AL-ELKO 100U M 25V I G BAW SPE0108 RM2,5
C830	1246348	KEKO-CH 100N K X7R 0805 BAW SPE0035A315
C831	1246348	KEKO-CH 100N K X7R 0805 BAW SPE0035A315
C832	1246348	KEKO-CH 100N K X7R 0805 BAW SPE0035A315
C833	1246348	KEKO-CH 100N K X7R 0805 BAW SPE0035A315
C834	1246348	KEKO-CH 100N K X7R 0805 BAW SPE0035A315
C835	1182943	KEKO-CH 47N K X7R 0805 BAW SPE0015A315
C836	1119117	KEKO-CH 10N J X7R 0805 BAW SPE0014A315

C837	1246348	KEKO-CH 100N K X7R 0805 BAW SPE0035A315
C840	1246348	KEKO-CH 100N K X7R 0805 BAW SPE0035A315
C852	1119125	KEKO-CH 10N K X7R 0805 BAW SPE0015A315
C861	1258907	ALKO-CH 1U M 50V I G BAW SPE0161A312
C862	1258877	AL-ELKO 4U7 M 50V G BAW SPE0049A31 RM2,5
C863	1258907	ALKO-CH 1U M 50V I G BAW SPE0161A312
C870	1246348	KEKO-CH 100N K X7R 0805 BAW SPE0035A315
C871	1246348	KEKO-CH 100N K X7R 0805 BAW SPE0035A315
C881	1246348	KEKO-CH 100N K X7R 0805 BAW SPE0035A315
C882	1246348	KEKO-CH 100N K X7R 0805 BAW SPE0035A315
C897	1258907	ALKO-CH 1U M 50V I G BAW SPE0161A312
C898	1258907	ALKO-CH 1U M 50V I G BAW SPE0161A312
C901	1246348	KEKO-CH 100N K X7R 0805 BAW SPE0035A315
C902	1246348	KEKO-CH 100N K X7R 0805 BAW SPE0035A315
C908	1223951	KEKO-CH 22P J NP0 0603 BAW SPE0030A315
C909	1223951	KEKO-CH 22P J NP0 0603 BAW SPE0030A315
C919	1246348	KEKO-CH 100N K X7R 0805 BAW SPE0035A315
C928	1246348	KEKO-CH 100N K X7R 0805 BAW SPE0035A315
C929	1246348	KEKO-CH 100N K X7R 0805 BAW SPE0035A315
C939	1246348	KEKO-CH 100N K X7R 0805 BAW SPE0035A315
C949	1246348	KEKO-CH 100N K X7R 0805 BAW SPE0035A315
C958	1246348	KEKO-CH 100N K X7R 0805 BAW SPE0035A315
C968	1246348	KEKO-CH 100N K X7R 0805 BAW SPE0035A315
C969	1246348	KEKO-CH 100N K X7R 0805 BAW SPE0035A315
D101	1149326	DROSSEL-CH 0,68UH K G SIE B82422-A3681-K
D103	1289950	DROSSEL-CH 10UH K G SIE B82432-A1103-K
D104	1242164	INDUCTOR-CH G MUR BLM11B141D
D1500	1237705	INDUCTOR-CH G MUR BLM21A601S
D1501	1305591	INDUCTOR-CH G MUR BLM11A601S
D1502	1237705	INDUCTOR-CH G MUR BLM21A601S
D1503	1227221	INDUCTOR-CH G MUR BLM11A221S
D1504	1000950	DROSSEL-CH 47UH K G SIE B82422-A1473-K
D1505	1305591	INDUCTOR-CH G MUR BLM11A601S
D1550	1237705	INDUCTOR-CH G MUR BLM21A601S
D1801	1227221	INDUCTOR-CH G MUR BLM11A221S
D301	1178237	DROSSEL-CH 2,2UH K G SIE B82422-A1222-K
D302	1249398	DROSSEL-CH 2,2MH K G MSI C6-R/3333
D304	1245368	DROSSEL-CH 68UH K G SIE B82432-S1683-K
D305	1245368	DROSSEL-CH 68UH K G SIE B82432-S1683-K
D306	1148494	DROSSEL-CH 0,47UH J G SIE B82422-A3471-J
D50	1237705	INDUCTOR-CH G MUR BLM21A601S
D51	1237705	INDUCTOR-CH G MUR BLM21A601S
D52	1237705	INDUCTOR-CH G MUR BLM21A601S
D53	1244922	DROSSEL,BATT.- 200UH VOG 5730409900
D870	1227221	INDUCTOR-CH G MUR BLM11A221S
D871	1227221	INDUCTOR-CH G MUR BLM11A221S
D873	1245104	DROSSEL-CH 51UH N 0,5A G SIE B82790
D909	1237705	INDUCTOR-CH G MUR BLM21A601S
D930	1237705	INDUCTOR-CH G MUR BLM21A601S
D931	1237705	INDUCTOR-CH G MUR BLM21A601S

DI101	1217186	DIODE-CH SIE BB914 G
DI102	1217186	DIODE-CH SIE BB914 G
DI104	1225529	DIODE-CH TEL S391D G
DI131	1217186	DIODE-CH SIE BB914 G
DI1801	1252143	DIODE-CH PHI BAS216 G
DI1803	1252143	DIODE-CH PHI BAS216 G
DI1804	1252143	DIODE-CH PHI BAS216 G
DI1805	1252143	DIODE-CH PHI BAS216 G
DI203	1252143	DIODE-CH PHI BAS216 G
DI301	1229788	DIODE-CH BAW BA779-2/1SV234/DPA05 G SPE
DI302	1252143	DIODE-CH PHI BAS216 G
DI50	1179683	DIODE-CH GIC S3B G
DI501	1252143	DIODE-CH PHI BAS216 G
DI603	1118757	DIODE-CH BAW 6V8 5% SHIP-TO-STOCK G SPE0
DI830	1043587	DIODE-CH BAW BAW56 SHIP-TO ST.G SPE0028A
DI831	1043587	DIODE-CH BAW BAW56 SHIP-TO ST.G SPE0028A
DI832	1043587	DIODE-CH BAW BAW56 SHIP-TO ST.G SPE0028A
DI833	1252143	DIODE-CH PHI BAS216 G
DI834	1252143	DIODE-CH PHI BAS216 G
DI840	1076353	DIODE-CH BAW 5V6 2% SHIP-TO-STOCK G SPE0
DI853	1252143	DIODE-CH PHI BAS216 G
DI854	1252143	DIODE-CH PHI BAS216 G
DI861	1043587	DIODE-CH BAW BAW56 SHIP-TO ST.G SPE0028A
DI885	1252143	DIODE-CH PHI BAS216 G
DI890	1252143	DIODE-CH PHI BAS216 G
F101	1295004	FILTER, FMZ- 100MHZ TOK MC122 E528ENAS-1
F102	1253395	FILTER, FMZ- 100MHZ TOK/P666SNS-256Z-RT
F131	1284827	FILTER,AMO/FMO-120MHZ TOK VAG,VWA,GEA
F201	1290568	FILTER, FM-ZF- 10,7MHZ TOK 5PAG-C805PN-
F204	1291637	FILTER,FM-PHASENKR.-10,7MHZ MSI RA7008-2
F321	1247115	FILTER, AM-ZF- 450KHZ TOK 5PAG (C805LN-0
IC101	1309404	IC-CH SIE TUA 4306 B3 MQFP64/1 G
IC1401	1155431	IC-CH PHI SAA6579T/V1 SHIP-TO-STOCK
IC1500	1239147	IC-CH AUM OCC8001-01
IC1501	1249101	IC-CH TOS TC7S08F G
IC1502	1311050	IC-CH AKM AK4520B-E2
IC151	1283510	IC-CH SGT TDA 7427 AD (TSSOP28) G
IC1801	0901806	IC-CH PHI PCF8576T/F2 SHIP-TO-STOCK G
IC1802	1299662	IC-CH NEC UPD 754302-3200-04/98
IC2001	1246178	IC-CH SGT TDA7342TR G
IC361	1283669	IC-CH HIT HA12181FP FP-16DA
IC501	1271180	IC PHI TDA8569Q /N1
IC601	1258397	IC-CH SIE TLE4276GV P-TO220-5-122
IC602	1246674	IC-CH SIE TLE4269GL P-DSO20-6 G
IC701	1246607	IC-CH SOY CXA2510Q
IC702	1245996	IC-CH PHI 74HC03D,653 G
IC831	1286242	IC-CH TOS TC7S14F G
IC870	1279432	IC-CH PHI TJA 1053 G
IC881	1240481	IC-CH SIE BSP452 G
IC901	1245058	IC-CH SIE SAF-C515C-8R P-MQFP-80

IC902	1294490	IC-CH PHI 74HC573 PW,118-TSSOP20
IC903	1312170	IC-SOCKEL 32POL CAB 540-99-032-07-400-0
IC903	1338196	IC-CH BAW 27C010-90-3100-26/99 3100
IC904	1294334	IC-CH SAY LC35256DT-70-TLM
IC905	1294490	IC-CH PHI 74HC573 PW,118-TSSOP20
IC906	1294490	IC-CH PHI 74HC573 PW,118-TSSOP20
IC909	1294601	IC-CH PHI 74HC02PW-TSSOP14 G
IC910	1012071	IC-CH BAW 74HC4094 G SPE0005A308
IC911	1012071	IC-CH BAW 74HC4094 G SPE0005A308
KF201	1306987	K-FILT MUR SFE 10,7 MS3A10GJ24-A-S-TF21
KF202	1331590	KERA-FILTER MUR SFE 10,7MHZ MTE-TF22
KF204	1307010	K-FILT.MUR SFE 10,7MHZ MJA10J24-A-S-TF21
KF205	1306987	K-FILT MUR SFE 10,7 MS3A10GJ24-A-S-TF21
KF321	1237713	KERA-FILTER MUR CFWS 450 IT
LD1801	1285122	LED-CH SIE LYT670E9349 K2/U Q62703-Q4228
LD1802	1285122	LED-CH SIE LYT670E9349 K2/U Q62703-Q4228
LD1803	1285122	LED-CH SIE LYT670E9349 K2/U Q62703-Q4228
LD1804	1285122	LED-CH SIE LYT670E9349 K2/U Q62703-Q4228
LD1805	1285122	LED-CH SIE LYT670E9349 K2/U Q62703-Q4228
LD1806	1285122	LED-CH SIE LYT670E9349 K2/U Q62703-Q4228
LD1807	1285122	LED-CH SIE LYT670E9349 K2/U Q62703-Q4228
LD1808	1285122	LED-CH SIE LYT670E9349 K2/U Q62703-Q4228
LD1809	1285122	LED-CH SIE LYT670E9349 K2/U Q62703-Q4228
LD1810	1285122	LED-CH SIE LYT670E9349 K2/U Q62703-Q4228
LD1811	1285122	LED-CH SIE LYT670E9349 K2/U Q62703-Q4228
LD1812	1285122	LED-CH SIE LYT670E9349 K2/U Q62703-Q4228
LD1813	1285122	LED-CH SIE LYT670E9349 K2/U Q62703-Q4228
LD1814	1285122	LED-CH SIE LYT670E9349 K2/U Q62703-Q4228
LD1831	1285122	LED-CH SIE LYT670E9349 K2/U Q62703-Q4228
LD1832	1285122	LED-CH SIE LYT670E9349 K2/U Q62703-Q4228
LD1833	1285122	LED-CH SIE LYT670E9349 K2/U Q62703-Q4228
LD1834	1285122	LED-CH SIE LYT670E9349 K2/U Q62703-Q4228
LD1835	1285122	LED-CH SIE LYT670E9349 K2/U Q62703-Q4228
LD1836	1285122	LED-CH SIE LYT670E9349 K2/U Q62703-Q4228
LD1837	1285122	LED-CH SIE LYT670E9349 K2/U Q62703-Q4228
LD1838	1285122	LED-CH SIE LYT670E9349 K2/U Q62703-Q4228
LD1839	1285122	LED-CH SIE LYT670E9349 K2/U Q62703-Q4228
LD1840	1285122	LED-CH SIE LYT670E9349 K2/U Q62703-Q4228
LD1841	1285122	LED-CH SIE LYT670E9349 K2/U Q62703-Q4228
LD1842	1285122	LED-CH SIE LYT670E9349 K2/U Q62703-Q4228
LD1843	1285122	LED-CH SIE LYT670E9349 K2/U Q62703-Q4228
LD1844	1285122	LED-CH SIE LYT670E9349 K2/U Q62703-Q4228
LD1846	1285122	LED-CH SIE LYT670E9349 K2/U Q62703-Q4228
LD1847	1285122	LED-CH SIE LYT670E9349 K2/U Q62703-Q4228
LD1848	1285122	LED-CH SIE LYT670E9349 K2/U Q62703-Q4228
LD1849	1285122	LED-CH SIE LYT670E9349 K2/U Q62703-Q4228
LD1850	1285122	LED-CH SIE LYT670E9349 K2/U Q62703-Q4228
LD1851	1285122	LED-CH SIE LYT670E9349 K2/U Q62703-Q4228
LD1861	1158767	LED-CH SIE LST670 G -RT
OT1500	1248121	TRANSCEIVER AMP 966893 D2BOPTICAL-HEADER

P701	1246615	TRIWID-CH 10K 0,10W MUR POZ3AN1-103N-T00
P702	1246615	TRIWID-CH 10K 0,10W MUR POZ3AN1-103N-T00
Q1401	1277898	QUARZ 4,332MHZ G NDK AT-51
Q1500	1305492	QUARZ-CH 16,9344 MHZ NDK AT-41CD2
Q151	1280279	QUARZ 10,250 MHZ G NDK AT-51 M.ISOPL.
Q1801	1171501	KERA-RESON-CH MUR CSAC 4,19 MGCA G
Q251	1295268	KERA-RESON-CH MUR CSBF456 JF 239
Q901	1295691	QUARZ 10MHZ TQG TQX6674 MIT ISOPL.
R1000	1254332	MEGWI-CH 47K F 0603 G BAW SPE0028A323
R1002	1254332	MEGWI-CH 47K F 0603 G BAW SPE0028A323
R1004	1254332	MEGWI-CH 47K F 0603 G BAW SPE0028A323
R1005	1297058	MEGWI-CH 22K F 0603 G BAW SPE0028A323
R1006	1297058	MEGWI-CH 22K F 0603 G BAW SPE0028A323
R1007	1297058	MEGWI-CH 22K F 0603 G BAW SPE0028A323
R1008	1297058	MEGWI-CH 22K F 0603 G BAW SPE0028A323
R1009	1297058	MEGWI-CH 22K F 0603 G BAW SPE0028A323
R1010	1297058	MEGWI-CH 22K F 0603 G BAW SPE0028A323
R1011	1297058	MEGWI-CH 22K F 0603 G BAW SPE0028A323
R1012	1297058	MEGWI-CH 22K F 0603 G BAW SPE0028A323
R102	1304445	MEGWI-CH 1K F 0603 BAW SPE0028A323
R103	1304161	MEGWI-CH 10R F 0603 BAW SPE0027A323
R105	1304161	MEGWI-CH 10R F 0603 BAW SPE0027A323
R106	1271199	MEGWI-CH 56K F 0603 G BAW SPE0028A323
R107	1304161	MEGWI-CH 10R F 0603 BAW SPE0027A323
R112	1254332	MEGWI-CH 47K F 0603 G BAW SPE0028A323
R1160	1305085	MEGWI-CH 820K F 0603 BAW SPE0028A323
R1161	1304445	MEGWI-CH 1K F 0603 BAW SPE0028A323
R121	1297041	MEGWI-CH 10K F 0603 G BAW SPE0028A323
R122	1271199	MEGWI-CH 56K F 0603 G BAW SPE0028A323
R123	1297041	MEGWI-CH 10K F 0603 G BAW SPE0028A323
R124	1271199	MEGWI-CH 56K F 0603 G BAW SPE0028A323
R125	1297041	MEGWI-CH 10K F 0603 G BAW SPE0028A323
R126	1285564	MEGWI-CH 4K7 F 0603 G BAW SPE0028A323
R127	1304445	MEGWI-CH 1K F 0603 BAW SPE0028A323
R131	1297041	MEGWI-CH 10K F 0603 G BAW SPE0028A323
R132	1297041	MEGWI-CH 10K F 0603 G BAW SPE0028A323
R1401	1304161	MEGWI-CH 10R F 0603 BAW SPE0027A323
R1402	1304437	MEGWI-CH 820R F 0603 BAW SPE0027A323
R1500	1304471	MEGWI-CH 2K F 0603 G BAW SPE0028A323
R1501	1271202	MEGWI-CH 220K F 0603 G BAW SPE0028A323
R1502	1277588	MEGWI-CH 330K F 0603 G BAW SPE 0028A323
R1503	1304755	MEGWI-CH 1R5 F 0805 G BAW SPE0017A323
R1506	1304364	MEGWI-CH 270R F 0603 BAW SPE0027A323
R1507	1304364	MEGWI-CH 270R F 0603 BAW SPE0027A323
R1508	1304364	MEGWI-CH 270R F 0603 BAW SPE0027A323
R1509	1304364	MEGWI-CH 270R F 0603 BAW SPE0027A323
R151	1297041	MEGWI-CH 10K F 0603 G BAW SPE0028A323
R1511	1304410	MEGWI-CH 560R F 0603 BAW SPE0027A323
R1512	1304410	MEGWI-CH 560R F 0603 BAW SPE0027A323
R1513	1304410	MEGWI-CH 560R F 0603 BAW SPE0027A323

R1514	1304410	MEGWI-CH 560R F 0603 BAW SPE0027A323
R1515	1304410	MEGWI-CH 560R F 0603 BAW SPE0027A323
R1516	1304410	MEGWI-CH 560R F 0603 BAW SPE0027A323
R1517	1271199	MEGWI-CH 56K F 0603 G BAW SPE0028A323
R1518	1235389	MEGWI-CH 2K4 F 0603 G BAW SPE0028A323
R1519	1235389	MEGWI-CH 2K4 F 0603 G BAW SPE0028A323
R152	1304161	MEGWI-CH 10R F 0603 BAW SPE0027A323
R1520	1271199	MEGWI-CH 56K F 0603 G BAW SPE0028A323
R1521	1304321	MEGWI-CH 150R F 0603 BAW SPE0027A323
R1522	1304321	MEGWI-CH 150R F 0603 BAW SPE0027A323
R1523	1304364	MEGWI-CH 270R F 0603 BAW SPE0027A323
R1524	1304364	MEGWI-CH 270R F 0603 BAW SPE0027A323
R1525	1304364	MEGWI-CH 270R F 0603 BAW SPE0027A323
R1526	1304364	MEGWI-CH 270R F 0603 BAW SPE0027A323
R1527	1304364	MEGWI-CH 270R F 0603 BAW SPE0027A323
R1528	1297058	MEGWI-CH 22K F 0603 G BAW SPE0028A323
R153	1253700	MEGWI-CH 8K2 F 0603 G BAW SPE0028A323
R154	1304445	MEGWI-CH 1K F 0603 BAW SPE0028A323
R1550	1304445	MEGWI-CH 1K F 0603 BAW SPE0028A323
R1551	1304410	MEGWI-CH 560R F 0603 BAW SPE0027A323
R156	1305001	MEGWI-CH 33K F 0603 BAW SPE0028A323
R157	1304161	MEGWI-CH 10R F 0603 BAW SPE0027A323
R159	1304445	MEGWI-CH 1K F 0603 BAW SPE0028A323
R161	1304445	MEGWI-CH 1K F 0603 BAW SPE0028A323
R163	1227661	MEGWI-CH 0R 0603 BAW SPE0025A323
R165	1297041	MEGWI-CH 10K F 0603 G BAW SPE0028A323
R166	1297041	MEGWI-CH 10K F 0603 G BAW SPE0028A323
R168	1297058	MEGWI-CH 22K F 0603 G BAW SPE0028A323
R169	1304161	MEGWI-CH 10R F 0603 BAW SPE0027A323
R1801	1226649	MEGWI-CH 680R F 1206 BAW SPE0015A323
R1802	1293206	MEGWI-CH 1K5 F 1206 BAW SPE0016A323
R1803	1293206	MEGWI-CH 1K5 F 1206 BAW SPE0016A323
R1804	1293206	MEGWI-CH 1K5 F 1206 BAW SPE0016A323
R1805	1293206	MEGWI-CH 1K5 F 1206 BAW SPE0016A323
R1809	1303511	MEGWI-CH 560R F 1206 G BAW SPE0015A323
R1810	1303511	MEGWI-CH 560R F 1206 G BAW SPE0015A323
R1811	1303511	MEGWI-CH 560R F 1206 G BAW SPE0015A323
R1812	1303511	MEGWI-CH 560R F 1206 G BAW SPE0015A323
R1813	1303538	MEGWI-CH 820R F 1206 G BAW SPE0015A323
R1814	1303491	MEGWI-CH 470R F 1206 G BAW SPE0015A323
R1815	1226649	MEGWI-CH 680R F 1206 BAW SPE0015A323
R1816	1304437	MEGWI-CH 820R F 0603 BAW SPE0027A323
R1817	1304437	MEGWI-CH 820R F 0603 BAW SPE0027A323
R1818	1304437	MEGWI-CH 820R F 0603 BAW SPE0027A323
R1819	1304437	MEGWI-CH 820R F 0603 BAW SPE0027A323
R1831	1304445	MEGWI-CH 1K F 0603 BAW SPE0028A323
R1832	1297058	MEGWI-CH 22K F 0603 G BAW SPE0028A323
R1833	1297058	MEGWI-CH 22K F 0603 G BAW SPE0028A323
R1836	1305158	MEGWI-CH 100K F 0603 BAW SPE0028A323
R1837	1305093	MEGWI-CH 1M F 0603 BAW SPE0028A323

R1841	1304402	MEGWI-CH 470R F 0603 BAW SPE0027A323
R1842	1285564	MEGWI-CH 4K7 F 0603 G BAW SPE0028A323
R1844	1305158	MEGWI-CH 100K F 0603 BAW SPE0028A323
R1846	1305158	MEGWI-CH 100K F 0603 BAW SPE0028A323
R1847	1305158	MEGWI-CH 100K F 0603 BAW SPE0028A323
R1848	1297058	MEGWI-CH 22K F 0603 G BAW SPE0028A323
R1849	1297058	MEGWI-CH 22K F 0603 G BAW SPE0028A323
R1851	1304331	MEGWI-CH 180R F 0603 BAW SPE0027A323
R1852	1304305	MEGWI-CH 120R F 0603 G BAW SPE0027A323
R1854	1304402	MEGWI-CH 470R F 0603 BAW SPE0027A323
R1861	1282662	MEGWI-CH 180K F 0603 G BAW SPE0028A323
R1862	1288415	MEGWI-CH 6K8 F 0603 G BAW SPE 0028A323
R1864	1288393	MEGWI-CH 5K1 F 0603 G BAW SPE0028A323
R1865	1254332	MEGWI-CH 47K F 0603 G BAW SPE0028A323
R2001	1297058	MEGWI-CH 22K F 0603 G BAW SPE0028A323
R2002	1254332	MEGWI-CH 47K F 0603 G BAW SPE0028A323
R2003	1254022	MEGWI-CH 2K2 F 0603 G BAW SPE0028A323
R2004	1304496	MEGWI-CH 3K9 F 0603 G BAW SPE0028A323
R2005	1304496	MEGWI-CH 3K9 F 0603 G BAW SPE0028A323
R2006	1304496	MEGWI-CH 3K9 F 0603 G BAW SPE0028A323
R2007	1304496	MEGWI-CH 3K9 F 0603 G BAW SPE0028A323
R2008	1253700	MEGWI-CH 8K2 F 0603 G BAW SPE0028A323
R2009	1227661	MEGWI-CH 0R 0603 BAW SPE0025A323
R201	1304364	MEGWI-CH 270R F 0603 BAW SPE0027A323
R2010	1253700	MEGWI-CH 8K2 F 0603 G BAW SPE0028A323
R2011	1227661	MEGWI-CH 0R 0603 BAW SPE0025A323
R2012	1291181	MEGWI-CH 5K6 F 0603 G BAW SPE0028A323
R2013	1291181	MEGWI-CH 5K6 F 0603 G BAW SPE0028A323
R202	1304445	MEGWI-CH 1K F 0603 BAW SPE0028A323
R203	1254448	MEGWI-CH 27K F 0603 G BAW SPE0028A323
R204	1254332	MEGWI-CH 47K F 0603 G BAW SPE0028A323
R205	1254332	MEGWI-CH 47K F 0603 G BAW SPE0028A323
R206	1304232	MEGWI-CH 47R F 0603 G BAW SPE0027A323
R207	1254431	MEGWI-CH 20K F 0603 G BAW SPE0028A323
R208	1297058	MEGWI-CH 22K F 0603 G BAW SPE0028A323
R209	1297058	MEGWI-CH 22K F 0603 G BAW SPE0028A323
R210	1304161	MEGWI-CH 10R F 0603 BAW SPE0027A323
R211	1304399	MEGWI-CH 390R F 0603 BAW SPE0027A323
R212	1304161	MEGWI-CH 10R F 0603 BAW SPE0027A323
R213	1304161	MEGWI-CH 10R F 0603 BAW SPE0027A323
R214	1246623	MEGWI-CH 430K F 0603 G BAW SPE0028A323
R215	1304496	MEGWI-CH 3K9 F 0603 G BAW SPE0028A323
R221	1258478	MEGWI-CH 15K F 0603 BAW SPE0028A323
R222	1258486	MEGWI-CH 39K F 0603 BAW SPE0028A323
R223	1257838	NTCWI-CH 220R J 0805 SIE B57620-C221-J62
R224	1285564	MEGWI-CH 4K7 F 0603 G BAW SPE0028A323
R225	1304380	MEGWI-CH 330R F 0603 BAW SPE0027A323
R227	1282700	MEGWI-CH 120K F 0603 G BAW SPE 0028A323
R228	1282662	MEGWI-CH 180K F 0603 G BAW SPE0028A323
R229	1304488	MEGWI-CH 2K7 F 0603 BAW SPE0028A323

R230	1313185	MEGWI-CH 51K F 0603 G BAW SPE 0028 A 323
R231	1304445	MEGWI-CH 1K F 0603 BAW SPE0028A323
R232	1305131	MEGWI-CH 68K F 0603 BAW SPE0028A323
R235	1254340	MEGWI-CH 270K F 0603 G BAW SPE0028A323
R236	1305018	MEGWI-CH 150K F 0603 BAW SPE0028A323
R240	1304445	MEGWI-CH 1K F 0603 BAW SPE0028A323
R241	1271202	MEGWI-CH 220K F 0603 G BAW SPE0028A323
R242	1254332	MEGWI-CH 47K F 0603 G BAW SPE0028A323
R243	1305069	MEGWI-CH 560K F 0603 BAW SPE0028A323
R244	1297058	MEGWI-CH 22K F 0603 G BAW SPE0028A323
R245	1304402	MEGWI-CH 470R F 0603 BAW SPE0027A323
R246	1305131	MEGWI-CH 68K F 0603 BAW SPE0028A323
R247	1297041	MEGWI-CH 10K F 0603 G BAW SPE0028A323
R248	1254332	MEGWI-CH 47K F 0603 G BAW SPE0028A323
R249	1285564	MEGWI-CH 4K7 F 0603 G BAW SPE0028A323
R251	1254332	MEGWI-CH 47K F 0603 G BAW SPE0028A323
R252	1254332	MEGWI-CH 47K F 0603 G BAW SPE0028A323
R253	1305158	MEGWI-CH 100K F 0603 BAW SPE0028A323
R254	1297041	MEGWI-CH 10K F 0603 G BAW SPE0028A323
R255	1297041	MEGWI-CH 10K F 0603 G BAW SPE0028A323
R256	1227661	MEGWI-CH 0R 0603 BAW SPE0025A323
R257	1297058	MEGWI-CH 22K F 0603 G BAW SPE0028A323
R269	1304348	MEGWI-CH 220R F 0603 BAW SPE0027A323
R270	1304313	MEGWI-CH 130R F 0603 G BAW SPE0027A323
R271	1304348	MEGWI-CH 220R F 0603 BAW SPE0027A323
R274	1277588	MEGWI-CH 330K F 0603 G BAW SPE 0028A323
R275	1302965	MEGWI-CH 130K F 0603 G BAW SPE0028A323
R276	1305158	MEGWI-CH 100K F 0603 BAW SPE0028A323
R277	1304348	MEGWI-CH 220R F 0603 BAW SPE0027A323
R279	1285564	MEGWI-CH 4K7 F 0603 G BAW SPE0028A323
R285	1304402	MEGWI-CH 470R F 0603 BAW SPE0027A323
R287	1305158	MEGWI-CH 100K F 0603 BAW SPE0028A323
R288	1305158	MEGWI-CH 100K F 0603 BAW SPE0028A323
R290	1304445	MEGWI-CH 1K F 0603 BAW SPE0028A323
R296	1227661	MEGWI-CH 0R 0603 BAW SPE0025A323
R297	1304291	MEGWI-CH 110R F 0603 G BAW SPE0027A323
R301	1305050	MEGWI-CH 470K F 0603 BAW SPE0028A323
R302	1304852	MEGWI-CH 47R F 0805 G BAW SPE0017A323
R306	1254022	MEGWI-CH 2K2 F 0603 G BAW SPE0028A323
R307	1304178	MEGWI-CH 18R F 0603 BAW SPE0027A323
R312	1304402	MEGWI-CH 470R F 0603 BAW SPE0027A323
R313	1288415	MEGWI-CH 6K8 F 0603 G BAW SPE 0028A323
R316	1304259	MEGWI-CH 68R F 0603 BAW SPE0027A323
R317	1304380	MEGWI-CH 330R F 0603 BAW SPE0027A323
R318	1305093	MEGWI-CH 1M F 0603 BAW SPE0028A323
R321	1304161	MEGWI-CH 10R F 0603 BAW SPE0027A323
R323	1304399	MEGWI-CH 390R F 0603 BAW SPE0027A323
R324	1304380	MEGWI-CH 330R F 0603 BAW SPE0027A323
R327	1258478	MEGWI-CH 15K F 0603 BAW SPE0028A323
R328	1304461	MEGWI-CH 1K5 F 0603 G BAW SPE0028A323

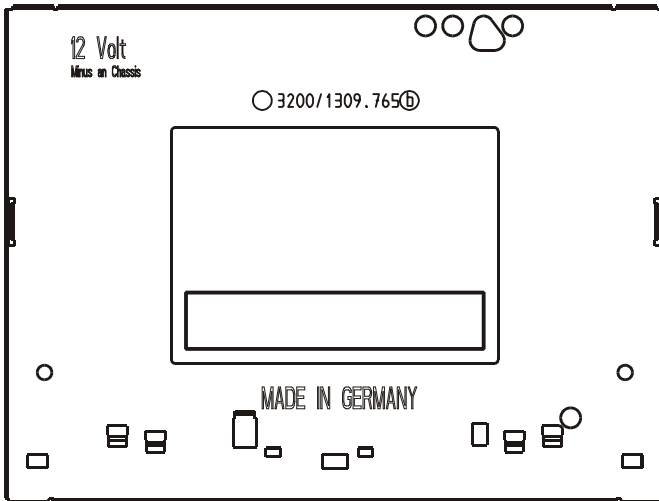


R329	1285564	MEGWI-CH 4K7 F 0603 G BAW SPE0028A323
R331	1281811	MEGWI-CH 1K8 F 0603 G BAW SPE0028A323
R347	1305131	MEGWI-CH 68K F 0603 BAW SPE0028A323
R348	1282700	MEGWI-CH 120K F 0603 G BAW SPE 0028A323
R349	1254332	MEGWI-CH 47K F 0603 G BAW SPE0028A323
R350	1254332	MEGWI-CH 47K F 0603 G BAW SPE0028A323
R351	1254340	MEGWI-CH 270K F 0603 G BAW SPE0028A323
R352	1254324	MEGWI-CH 24K F 0603 G BAW SPE0028A323
R353	1304445	MEGWI-CH 1K F 0603 BAW SPE0028A323
R360	1305158	MEGWI-CH 100K F 0603 BAW SPE0028A323
R361	1254421	MEGWI-CH 12K F 0603 G BAW SPE0028A323
R362	1285564	MEGWI-CH 4K7 F 0603 G BAW SPE0028A323
R363	1282662	MEGWI-CH 180K F 0603 G BAW SPE0028A323
R364	1297058	MEGWI-CH 22K F 0603 G BAW SPE0028A323
R365	1254332	MEGWI-CH 47K F 0603 G BAW SPE0028A323
R370	1018302	MEGWI-CH 0R 0805 G BAW SPE0009A323
R50	1303112	MEGWI-CH 15R F 1206 G BAW SPE0015A323
R501	1297041	MEGWI-CH 10K F 0603 G BAW SPE0028A323
R506	1281811	MEGWI-CH 1K8 F 0603 G BAW SPE0028A323
R507	1281811	MEGWI-CH 1K8 F 0603 G BAW SPE0028A323
R508	1281811	MEGWI-CH 1K8 F 0603 G BAW SPE0028A323
R509	1281811	MEGWI-CH 1K8 F 0603 G BAW SPE0028A323
R51	1303112	MEGWI-CH 15R F 1206 G BAW SPE0015A323
R52	1303112	MEGWI-CH 15R F 1206 G BAW SPE0015A323
R602	1159496	MEGWI-CH 22K F 0805 G BAW SPE0018A323
R603	1285564	MEGWI-CH 4K7 F 0603 G BAW SPE0028A323
R604	1258478	MEGWI-CH 15K F 0603 BAW SPE0028A323
R605	1258486	MEGWI-CH 39K F 0603 BAW SPE0028A323
R608	1304364	MEGWI-CH 270R F 0603 BAW SPE0027A323
R609	1304283	MEGWI-CH 100R F 0603 BAW SPE0027A323
R614	1304445	MEGWI-CH 1K F 0603 BAW SPE0028A323
R615	1304445	MEGWI-CH 1K F 0603 BAW SPE0028A323
R618	1297041	MEGWI-CH 10K F 0603 G BAW SPE0028A323
R619	1297041	MEGWI-CH 10K F 0603 G BAW SPE0028A323
R620	1297041	MEGWI-CH 10K F 0603 G BAW SPE0028A323
R621	1297041	MEGWI-CH 10K F 0603 G BAW SPE0028A323
R623	1227661	MEGWI-CH 0R 0603 BAW SPE0025A323
R701	1304526	MEGWI-CH 11K F 0603 G TK100 BAW SPE0028A
R702	1304518	MEGWI-CH 16K F 0603 G BAW SPE0028A323
R703	1282662	MEGWI-CH 180K F 0603 G BAW SPE0028A323
R704	1304283	MEGWI-CH 100R F 0603 BAW SPE0027A323
R711	1304526	MEGWI-CH 11K F 0603 G TK100 BAW SPE0028A
R712	1304518	MEGWI-CH 16K F 0603 G BAW SPE0028A323
R713	1282662	MEGWI-CH 180K F 0603 G BAW SPE0028A323
R714	1304283	MEGWI-CH 100R F 0603 BAW SPE0027A323
R720	1248197	MEGWI-CH 18K F 0603 G BAW SPE0028A323
R721	1304496	MEGWI-CH 3K9 F 0603 G BAW SPE0028A323
R722	1305131	MEGWI-CH 68K F 0603 BAW SPE0028A323
R723	1305050	MEGWI-CH 470K F 0603 BAW SPE0028A323
R725	1305001	MEGWI-CH 33K F 0603 BAW SPE0028A323

R726	1305001	MEGWI-CH 33K F 0603 BAW SPE0028A323
R727	1254332	MEGWI-CH 47K F 0603 G BAW SPE0028A323
R728	1304161	MEGWI-CH 10R F 0603 BAW SPE0027A323
R729	1297058	MEGWI-CH 22K F 0603 G BAW SPE0028A323
R730	1297058	MEGWI-CH 22K F 0603 G BAW SPE0028A323
R732	1227661	MEGWI-CH 0R 0603 BAW SPE0025A323
R735	1254332	MEGWI-CH 47K F 0603 G BAW SPE0028A323
R736	1254332	MEGWI-CH 47K F 0603 G BAW SPE0028A323
R809	1297041	MEGWI-CH 10K F 0603 G BAW SPE0028A323
R810	1226657	MEGWI-CH 1K F 1206 BAW SPE0016A323
R811	1304445	MEGWI-CH 1K F 0603 BAW SPE0028A323
R820	1283367	MEGWI-CH 10R F 1206 G TK100 BAW0015A323
R821	1283367	MEGWI-CH 10R F 1206 G TK100 BAW0015A323
R822	1283367	MEGWI-CH 10R F 1206 G TK100 BAW0015A323
R830	1297058	MEGWI-CH 22K F 0603 G BAW SPE0028A323
R831	1254332	MEGWI-CH 47K F 0603 G BAW SPE0028A323
R832	1254332	MEGWI-CH 47K F 0603 G BAW SPE0028A323
R833	1297058	MEGWI-CH 22K F 0603 G BAW SPE0028A323
R834	1297058	MEGWI-CH 22K F 0603 G BAW SPE0028A323
R835	1254332	MEGWI-CH 47K F 0603 G BAW SPE0028A323
R836	1254332	MEGWI-CH 47K F 0603 G BAW SPE0028A323
R837	1297058	MEGWI-CH 22K F 0603 G BAW SPE0028A323
R838	1297058	MEGWI-CH 22K F 0603 G BAW SPE0028A323
R839	1254332	MEGWI-CH 47K F 0603 G BAW SPE0028A323
R841	1254332	MEGWI-CH 47K F 0603 G BAW SPE0028A323
R842	1305050	MEGWI-CH 470K F 0603 BAW SPE0028A323
R843	1271199	MEGWI-CH 56K F 0603 G BAW SPE0028A323
R844	1226592	MEGWI-CH 100R F 1206 BAW SPE0015A323
R845	1304348	MEGWI-CH 220R F 0603 BAW SPE0027A323
R846	1159496	MEGWI-CH 22K F 0805 G BAW SPE0018A323
R847	1297041	MEGWI-CH 10K F 0603 G BAW SPE0028A323
R848	1305131	MEGWI-CH 68K F 0603 BAW SPE0028A323
R850	1258478	MEGWI-CH 15K F 0603 BAW SPE0028A323
R851	1304445	MEGWI-CH 1K F 0603 BAW SPE0028A323
R852	1254022	MEGWI-CH 2K2 F 0603 G BAW SPE0028A323
R853	1304429	MEGWI-CH 680R F 0603 BAW SPE0027A323
R854	1304186	MEGWI-CH 22R F 0603 BAW SPE0027A323
R855	1297041	MEGWI-CH 10K F 0603 G BAW SPE0028A323
R857	1304186	MEGWI-CH 22R F 0603 BAW SPE0027A323
R859	1254332	MEGWI-CH 47K F 0603 G BAW SPE0028A323
R860	1297058	MEGWI-CH 22K F 0603 G BAW SPE0028A323
R861	1304445	MEGWI-CH 1K F 0603 BAW SPE0028A323
R862	1254421	MEGWI-CH 12K F 0603 G BAW SPE0028A323
R863	1235397	MEGWI-CH 3K3 F 0603 G BAW SPE0028A323
R864	1305158	MEGWI-CH 100K F 0603 BAW SPE0028A323
R865	1254332	MEGWI-CH 47K F 0603 G BAW SPE0028A323
R872	1328417	MEGWI-CH 1K6 F 0603 G BAW SPE0028A323
R873	1328417	MEGWI-CH 1K6 F 0603 G BAW SPE0028A323
R881	1297041	MEGWI-CH 10K F 0603 G BAW SPE0028A323
R882	1297041	MEGWI-CH 10K F 0603 G BAW SPE0028A323

R883	1297041	MEGWI-CH 10K F 0603 G BAW SPE0028A323
R885	1297041	MEGWI-CH 10K F 0603 G BAW SPE0028A323
R886	1297058	MEGWI-CH 22K F 0603 G BAW SPE0028A323
R887	1297058	MEGWI-CH 22K F 0603 G BAW SPE0028A323
R888	1297041	MEGWI-CH 10K F 0603 G BAW SPE0028A323
R890	1297041	MEGWI-CH 10K F 0603 G BAW SPE0028A323
R891	1297058	MEGWI-CH 22K F 0603 G BAW SPE0028A323
R892	1297058	MEGWI-CH 22K F 0603 G BAW SPE0028A323
R893	1304445	MEGWI-CH 1K F 0603 BAW SPE0028A323
R897	1297041	MEGWI-CH 10K F 0603 G BAW SPE0028A323
R898	1297041	MEGWI-CH 10K F 0603 G BAW SPE0028A323
R908	1304283	MEGWI-CH 100R F 0603 BAW SPE0027A323
R914	1304445	MEGWI-CH 1K F 0603 BAW SPE0028A323
R915	1304410	MEGWI-CH 560R F 0603 BAW SPE0027A323
R916	1304445	MEGWI-CH 1K F 0603 BAW SPE0028A323
R920	1304410	MEGWI-CH 560R F 0603 BAW SPE0027A323
R934	1304445	MEGWI-CH 1K F 0603 BAW SPE0028A323
R935	1304445	MEGWI-CH 1K F 0603 BAW SPE0028A323
R942	1304410	MEGWI-CH 560R F 0603 BAW SPE0027A323
R947	1304445	MEGWI-CH 1K F 0603 BAW SPE0028A323
R956	1304445	MEGWI-CH 1K F 0603 BAW SPE0028A323
R957	1304410	MEGWI-CH 560R F 0603 BAW SPE0027A323
R988	1254332	MEGWI-CH 47K F 0603 G BAW SPE0028A323
R989	1254332	MEGWI-CH 47K F 0603 G BAW SPE0028A323
R998	1254332	MEGWI-CH 47K F 0603 G BAW SPE0028A323
R999	1254332	MEGWI-CH 47K F 0603 G BAW SPE0028A323
RN900	1298720	WID-NETZ 4X1K J ROH MNR14 E0ABJ102
RN901	1298720	WID-NETZ 4X1K J ROH MNR14 E0ABJ102
RN9010	1298720	WID-NETZ 4X1K J ROH MNR14 E0ABJ102
RN902	1298720	WID-NETZ 4X1K J ROH MNR14 E0ABJ102
RN903	1298720	WID-NETZ 4X1K J ROH MNR14 E0ABJ102
RN904	1298720	WID-NETZ 4X1K J ROH MNR14 E0ABJ102
RN905	1298720	WID-NETZ 4X1K J ROH MNR14 E0ABJ102
RN906	1298720	WID-NETZ 4X1K J ROH MNR14 E0ABJ102
RN907	1298720	WID-NETZ 4X1K J ROH MNR14 E0ABJ102
RN908	1298720	WID-NETZ 4X1K J ROH MNR14 E0ABJ102
RN909	1298720	WID-NETZ 4X1K J ROH MNR14 E0ABJ102
S1831	1319167	ENCODER ALP EC11E 15244
SP101	1031112	UEBERSPG-ABLEITER MMC DSP-201M-A21R
ST701	1158041	STIFTLAISTE 19POL D&R 3 302 02 01 1490
ST801	1252641	DRUCKFEDER-STECKVERB. AMP 969600-1
T101	1258680	TRANSISTOR-CH TEL S949TR G
T1151	1303317	TRANSISTOR-CH SAY 2SC2814 F4+F5 NPN G
T151	1289772	TRANSISTOR-CH SIE BCR 198S PNP G
T1801	0659614	TRANSISTOR-CH BAW BC848B G SPE0003A
T1802	0675318	TRANSISTOR-CH BAW BC818-16 SHIP-TO-STOCK
T1803	1172646	TRANSISTOR-CH BAW KRC103S/DTC124 NP
T1805	1239066	TRANS.-CH BAW KRC104S/BCR148/DTC144
T1806	1182821	TRANSISTOR-CH BAW KRC102S/DTC114 NP
T201	1303317	TRANSISTOR-CH SAY 2SC2814 F4+F5 NPN G





2



3



4



5



9



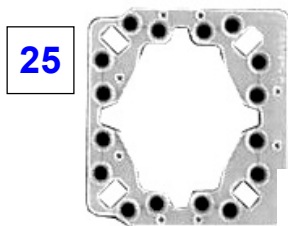
8



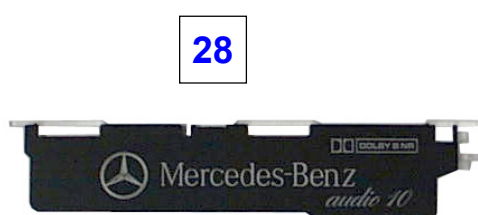
7



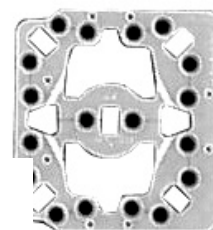
6



25



28



26



30



29



27

Pos.	Part.-No.	Denomination	
1	1284614	CHASSIS	
2	1309765	COVER, CHASSIS	
3	1284622	HOLDING SPRING-RIGHT	
4	1284630	HOLDING SPRING-LEFT	
5	1246909	HEAT SINK 3310 WGR11318	
6	1271997	COVER -D2B HEADER- AMP 969 272-2	
7	1246917	IC-HOLDER	
8	1248316	SCREENING FRAME-FM- WITH ANT.SOCKET	
9	1278916	CONNECTOR 21 POL D&R K37000300	
10	1271210	TAPEDECK ASSY ALP GR71S31B GR-S	
11		OPERATION ESCUTCHEON (NOT AVAILABLE CPL)	
12	1313266	OPERATION ESCUTCHEON WITH CLOSING FLAP	
13	1342282	P.C. BOARD 9090 FRONT/LCD	
14	1342312	KEY EJECT	
15	1342320	KEY SC	
16	1342339	KEY MUTE	
17	1342355	KEY TONE	
18	1342363	KEY CC	
19	1342371	KEY FM	
20	1342381	KEY AM	
21	1342398	KEY CD	
22	1342401	KEY CROSS TRANSMITTER SEARCH	
23	1342411	KEY CROSS STATION BUTTONS	
24	1342428	KEY RDS	
25	1313428	CONTACT MAT, LEFT	3100
26	1313436	CONTACT MAT, RIGHT	3100
27	1313369	TORSIO SPRING	
28	1313355	CLOSING FLAP	
29	1313339	LEVER CONTROL	
30	1313347	CONTROL CLOSING FLAP	
31	1284177	BUTTON	
32	1313411	LIGHT CONDUCTOR (CC)	3100
C101	1237683	CECA-CH 4P7 J NP0 0603 BAW SPE0030A315	
C103	1237683	CECA-CH 4P7 J NP0 0603 BAW SPE0030A315	
C104	1223968	CECA-CH 33P J NP0 0603 BAW SPE0030A315	
C105	1223976	CECA-CH 47P J NP0 0603 BAW SPE0030A315	
C107	1243012	CECA-CH 27P J NPO 0603 BAW SPE0030A315	
C108	1223941	CECA-CH 18P J NP0 0603 BAW SPE0030A315	
C109	1119060	CECA-CH 1N K X7R 0805 BAW SPE0015A315	
C110	1119125	CECA-CH 10N K X7R 0805 BAW SPE0015A315	
C111	1119125	CECA-CH 10N K X7R 0805 BAW SPE0015A315	
C114	1283499	CECA-CH 1U K X7R 0805 10V MUR GRM 40	
C115	1246321	CECA-CH 220N K X7R 1206 BAW SPE0036A315	
C116	1182943	CECA-CH 47N K X7R 0805 BAW SPE0015A315	
C117	1119222	CECA-CH 470P K X7R 0805 BAW SPE0015A315	
C118	1306170	AL-ELCA 100U M 1000/85G NCC SRM-VB RM2,5	

C119	1119060	CECA-CH 1N K X7R 0805 BAW SPE0015A315
C121	1119060	CECA-CH 1N K X7R 0805 BAW SPE0015A315
C122	1119060	CECA-CH 1N K X7R 0805 BAW SPE0015A315
C123	1119060	CECA-CH 1N K X7R 0805 BAW SPE0015A315
C131	1238787	CECA-CH 5P6 J NP0 0603 BAW SPE0030A315
C132	1119060	CECA-CH 1N K X7R 0805 BAW SPE0015A315
C133	1119060	CECA-CH 1N K X7R 0805 BAW SPE0015A315
C134	1226991	CECA-CH 2P2 J NP0 0603 BAW SPE0030A315
C1401	1283235	CECA-CH 4U7 K X5R 1206 10V MUR GMR42-6
C1402	1275992	CECA-CH 330P J NP0 0603 BAW SPE0030A315
C1403	1246348	CECA-CH 100N K X7R 0805 BAW SPE0035A315
C1404	1156561	CECA-CH 560P J NP0 0805 BAW SPE0003A315
C1405	1223976	CECA-CH 47P J NP0 0603 BAW SPE0030A315
C1406	1234463	CECA-CH 82P J NP0 0603 BAW SPE0030A315
C1407	1243934	AL-ELCA 10U M 16V G BAW SPE0069A31 RM2,5
C1500	1246348	CECA-CH 100N K X7R 0805 BAW SPE0035A315
C1501	1223951	CECA-CH 22P J NP0 0603 BAW SPE0030A315
C1502	1223951	CECA-CH 22P J NP0 0603 BAW SPE0030A315
C1503	1283499	CECA-CH 1U K X7R 0805 10V MUR GRM 40
C1504	1283499	CECA-CH 1U K X7R 0805 10V MUR GRM 40
C1505	1283499	CECA-CH 1U K X7R 0805 10V MUR GRM 40
C1506	1243012	CECA-CH 27P J NPO 0603 BAW SPE0030A315
C1507	1223951	CECA-CH 22P J NP0 0603 BAW SPE0030A315
C1508	1246348	CECA-CH 100N K X7R 0805 BAW SPE0035A315
C1509	1233971	CECA-CH 10P J NP0 0603 BAW SPE0030A315
C151	1257821	CECA-CH 6N8 K B 0805 50V PDAG MUR GRM425
C1510	1233971	CECA-CH 10P J NP0 0603 BAW SPE0030A315
C1511	1233971	CECA-CH 10P J NP0 0603 BAW SPE0030A315
C1512	1173324	CECA-CH 1N J NP0 0805 BAW SPE0003A315
C1513	1233971	CECA-CH 10P J NP0 0603 BAW SPE0030A315
C1514	1233971	CECA-CH 10P J NP0 0603 BAW SPE0030A315
C1515	1233971	CECA-CH 10P J NP0 0603 BAW SPE0030A315
C1516	1083899	CECA-CH 820P J NP0 1206 BAW SPE0006A315
C1517	1083899	CECA-CH 820P J NP0 1206 BAW SPE0006A315
C1518	1275879	ALCA-CH 10U M 16V I G BAW SPE0162A312
C1519	1275879	ALCA-CH 10U M 16V I G BAW SPE0162A312
C152	1223992	CECA-CH 150P J NP0 0603 BAW SPE0030A315
C1520	1283499	CECA-CH 1U K X7R 0805 10V MUR GRM 40
C1521	1283499	CECA-CH 1U K X7R 0805 10V MUR GRM 40
C1522	1275879	ALCA-CH 10U M 16V I G BAW SPE0162A312
C1523	1275879	ALCA-CH 10U M 16V I G BAW SPE0162A312
C1524	1253441	FOCA-CH 10N J 1206 50V G PAN ECHU
C1525	1253441	FOCA-CH 10N J 1206 50V G PAN ECHU
C1526	1246348	CECA-CH 100N K X7R 0805 BAW SPE0035A315
C1527	1246348	CECA-CH 100N K X7R 0805 BAW SPE0035A315
C1528	1223968	CECA-CH 33P J NP0 0603 BAW SPE0030A315
C153	1246348	CECA-CH 100N K X7R 0805 BAW SPE0035A315

C1530	1119117	CECA-CH 10N J X7R 0805 BAW SPE0014A315
C1550	1246348	CECA-CH 100N K X7R 0805 BAW SPE0035A315
C1551	1119117	CECA-CH 10N J X7R 0805 BAW SPE0014A315
C1552	1246348	CECA-CH 100N K X7R 0805 BAW SPE0035A315
C1553	1275879	ALCA-CH 10U M 16V I G BAW SPE0162A312
C1554	1246348	CECA-CH 100N K X7R 0805 BAW SPE0035A315
C1555	1275879	ALCA-CH 10U M 16V I G BAW SPE0162A312
C1556	1119117	CECA-CH 10N J X7R 0805 BAW SPE0014A315
C1557	1283499	CECA-CH 1U K X7R 0805 10V MUR GRM 40
C156	1234536	CECA-CH 100P J NP0 0603 BAW SPE0030A315
C157	1119176	CECA-CH 22N J X7R 0805 BAW SPE0014A315
C159	1119222	CECA-CH 470P K X7R 0805 BAW SPE0015A315
C160	1252690	CECA-CH 470P J NP0 0603 BAW SPE0030A315
C161	1223933	CECA-CH 15P J NP0 0603 BAW SPE0030A315
C162	1119125	CECA-CH 10N K X7R 0805 BAW SPE0015A315
C163	1246348	CECA-CH 100N K X7R 0805 BAW SPE0035A315
C164	1172050	AL-ELCA 47U M 16V G BAW SPE0060A31 RM2,5
C165	1243934	AL-ELCA 10U M 16V G BAW SPE0069A31 RM2,5
C166	1246348	CECA-CH 100N K X7R 0805 BAW SPE0035A315
C168	1119060	CECA-CH 1N K X7R 0805 BAW SPE0015A315
C169	1119060	CECA-CH 1N K X7R 0805 BAW SPE0015A315
C170	1182943	CECA-CH 47N K X7R 0805 BAW SPE0015A315
C1801	1246348	CECA-CH 100N K X7R 0805 BAW SPE0035A315
C1802	1223951	CECA-CH 22P J NP0 0603 BAW SPE0030A315
C1803	1223951	CECA-CH 22P J NP0 0603 BAW SPE0030A315
C1804	1173324	CECA-CH 1N J NP0 0805 BAW SPE0003A315
C1805	1173324	CECA-CH 1N J NP0 0805 BAW SPE0003A315
C1809	1238647	TAKO-CH 1U K B G 35V BAW SPE0005A313
C1810	1166751	CECA-CH 4N7 K X7R 0805 BAW SPE0015A315
C1811	1234536	CECA-CH 100P J NP0 0603 BAW SPE0030A315
C1836	1166751	CECA-CH 4N7 K X7R 0805 BAW SPE0015A315
C1861	1182943	CECA-CH 47N K X7R 0805 BAW SPE0015A315
C2001	1258907	ALCA-CH 1U M 50V I G BAW SPE0161A312
C2002	1258907	ALCA-CH 1U M 50V I G BAW SPE0161A312
C2003	1119192	CECA-CH 33N K X7R 0805 BAW SPE0015A315
C2004	1296116	CECA-CH 3N9 K X7R 0603 50V BAW SPE0032A3
C2005	1296116	CECA-CH 3N9 K X7R 0603 50V BAW SPE0032A3
C2006	1119176	CECA-CH 22N J X7R 0805 BAW SPE0014A315
C2007	1246348	CECA-CH 100N K X7R 0805 BAW SPE0035A315
C2008	1255711	CECA-CH 220N J X7R 1206 BAW SPE0037A315
C2009	1255711	CECA-CH 220N J X7R 1206 BAW SPE0037A315
C201	1119125	CECA-CH 10N K X7R 0805 BAW SPE0015A315
C2010	1307797	ALCA-CH 4U7 M 25V I G BAW SPE0164A312
C2011	1307797	ALCA-CH 4U7 M 25V I G BAW SPE0164A312
C2012	1083945	CECA-CH 2N7 J NP0 1206 BAW SPE0007A315
C2013	1307797	ALCA-CH 4U7 M 25V I G BAW SPE0164A312
C2014	1182943	CECA-CH 47N K X7R 0805 BAW SPE0015A315



C2015	1182943	CECA-CH 47N K X7R 0805 BAW SPE0015A315
C2016	1275879	ALCA-CH 10U M 16V I G BAW SPE0162A312
C2017	1307797	ALCA-CH 4U7 M 25V I G BAW SPE0164A312
C2018	1083945	CECA-CH 2N7 J NP0 1206 BAW SPE0007A315
C2019	1223976	CECA-CH 47P J NP0 0603 BAW SPE0030A315
C202	1182943	CECA-CH 47N K X7R 0805 BAW SPE0015A315
C2020	1258907	ALCA-CH 1U M 50V I G BAW SPE0161A312
C2021	1255711	CECA-CH 220N J X7R 1206 BAW SPE0037A315
C2022	1288962	CECA-CH 150N K X7R 0805 25V MUR GRM40
C2023	1255711	CECA-CH 220N J X7R 1206 BAW SPE0037A315
C2024	1288962	CECA-CH 150N K X7R 0805 25V MUR GRM40
C2025	1246348	CECA-CH 100N K X7R 0805 BAW SPE0035A315
C203	1119125	CECA-CH 10N K X7R 0805 BAW SPE0015A315
C204	1119125	CECA-CH 10N K X7R 0805 BAW SPE0015A315
C205	1182943	CECA-CH 47N K X7R 0805 BAW SPE0015A315
C206	1119125	CECA-CH 10N K X7R 0805 BAW SPE0015A315
C207	1182943	CECA-CH 47N K X7R 0805 BAW SPE0015A315
C209	1234536	CECA-CH 100P J NP0 0603 BAW SPE0030A315
C210	1246348	CECA-CH 100N K X7R 0805 BAW SPE0035A315
C212	1119125	CECA-CH 10N K X7R 0805 BAW SPE0015A315
C213	1119192	CECA-CH 33N K X7R 0805 BAW SPE0015A315
C216	1119125	CECA-CH 10N K X7R 0805 BAW SPE0015A315
C217	1290681	CECA-CH 330P J P2H 0805 50V MUR GRM40
C218	1246348	CECA-CH 100N K X7R 0805 BAW SPE0035A315
C219	1283235	CECA-CH 4U7 K X5R 1206 10V MUR GMR42-6
C220	1246348	CECA-CH 100N K X7R 0805 BAW SPE0035A315
C221	1119125	CECA-CH 10N K X7R 0805 BAW SPE0015A315
C226	1275992	CECA-CH 330P J NP0 0603 BAW SPE0030A315
C227	1182943	CECA-CH 47N K X7R 0805 BAW SPE0015A315
C251	1320513	CECA-CH 75P J NPO 0603 BAW SPE0030A315
C252	1283499	CECA-CH 1U K X7R 0805 10V MUR GRM 40
C253	1223951	CECA-CH 22P J NP0 0603 BAW SPE0030A315
C254	1246348	CECA-CH 100N K X7R 0805 BAW SPE0035A315
C255	1119125	CECA-CH 10N K X7R 0805 BAW SPE0015A315
C257	1246348	CECA-CH 100N K X7R 0805 BAW SPE0035A315
C258	1283499	CECA-CH 1U K X7R 0805 10V MUR GRM 40
C259	1166409	CECA-CH 6N8 J X7R 0805 BAW SPE0014A315
C260	1166409	CECA-CH 6N8 J X7R 0805 BAW SPE0014A315
C261	1119125	CECA-CH 10N K X7R 0805 BAW SPE0015A315
C264	1119125	CECA-CH 10N K X7R 0805 BAW SPE0015A315
C271	1277790	CECA-CH 680P J COH 0603 25V G MUR GRM39
C276	1119125	CECA-CH 10N K X7R 0805 BAW SPE0015A315
C277	1182943	CECA-CH 47N K X7R 0805 BAW SPE0015A315
C278	1119125	CECA-CH 10N K X7R 0805 BAW SPE0015A315
C279	1119125	CECA-CH 10N K X7R 0805 BAW SPE0015A315
C282	1301497	CECA-CH 47P J P2H 0603 MUR GRM39
C283	1119125	CECA-CH 10N K X7R 0805 BAW SPE0015A315

C285	1243934	AL-ELCA 10U M 16V G BAW SPE0069A31 RM2,5
C301	1230077	CECA-CH 1N J NPO 0603 50V AVX CM105
C302	1119125	CECA-CH 10N K X7R 0805 BAW SPE0015A315
C303	1246321	CECA-CH 220N K X7R 1206 BAW SPE0036A315
C304	1246321	CECA-CH 220N K X7R 1206 BAW SPE0036A315
C305	1246348	CECA-CH 100N K X7R 0805 BAW SPE0035A315
C309	1233971	CECA-CH 10P J NPO 0603 BAW SPE0030A315
C310	1243012	CECA-CH 27P J NPO 0603 BAW SPE0030A315
C312	1223933	CECA-CH 15P J NPO 0603 BAW SPE0030A315
C314	1246348	CECA-CH 100N K X7R 0805 BAW SPE0035A315
C317	1246348	CECA-CH 100N K X7R 0805 BAW SPE0035A315
C318	1283235	CECA-CH 4U7 K X5R 1206 10V MUR GMR42-6
C319	1283235	CECA-CH 4U7 K X5R 1206 10V MUR GMR42-6
C320	1119060	CECA-CH 1N K X7R 0805 BAW SPE0015A315
C321	1182943	CECA-CH 47N K X7R 0805 BAW SPE0015A315
C322	1182943	CECA-CH 47N K X7R 0805 BAW SPE0015A315
C323	1173278	AL-ELCA 4U7 M 25V G BAW SPE0071A31 RM2,5
C324	1246348	CECA-CH 100N K X7R 0805 BAW SPE0035A315
C325	1246348	CECA-CH 100N K X7R 0805 BAW SPE0035A315
C326	1218506	CECA-CH 1N J U2J 0805 MUR GRM40
C328	1259253	CECA-CH 220P J NPO 0603 BAW SPE0030A315
C346	1162241	CECA-CH 470P G NPO 0805 BAW SPE0027A315
C347	1162284	CECA-CH 560P G NPO 0805 BAW SPE0027A315
C348	1254782	CECA-CH 2N G NPO 0805 50V MUR GRM40
C349	1239961	CECA-CH 1N F NPO 0805 BAW SPE0029A315
C351	1243934	AL-ELCA 10U M 16V G BAW SPE0069A31 RM2,5
C360	1283235	CECA-CH 4U7 K X5R 1206 10V MUR GMR42-6
C361	1119192	CECA-CH 33N K X7R 0805 BAW SPE0015A315
C362	1283499	CECA-CH 1U K X7R 0805 10V MUR GRM 40
C363	1270648	CECA-CH 68N J X7R 0805 25V MUR GRM40
C364	1119192	CECA-CH 33N K X7R 0805 BAW SPE0015A315
C365	1119192	CECA-CH 33N K X7R 0805 BAW SPE0015A315
C366	1246348	CECA-CH 100N K X7R 0805 BAW SPE0035A315
C367	1119192	CECA-CH 33N K X7R 0805 BAW SPE0015A315
C368	1276220	CECA-CH 2N2 J X7R 0805 50V BAW SPE0014A
C369	1119125	CECA-CH 10N K X7R 0805 BAW SPE0015A315
C370	1246321	CECA-CH 220N K X7R 1206 BAW SPE0036A315
C371	1119060	CECA-CH 1N K X7R 0805 BAW SPE0015A315
C50	1229974	AL-ELCA 100U M 25V I G BAW SPE0108 RM2,5
C501	1186973	AL-ELCA 1M M 25V G BAW SPE0074A312-RM5
C502	1246348	CECA-CH 100N K X7R 0805 BAW SPE0035A315
C506	1281641	FOCA 470N J 50V G BAW SPE0018A314 RM5
C507	1281641	FOCA 470N J 50V G BAW SPE0018A314 RM5
C508	1281641	FOCA 470N J 50V G BAW SPE0018A314 RM5
C509	1281641	FOCA 470N J 50V G BAW SPE0018A314 RM5
C51	1119125	CECA-CH 10N K X7R 0805 BAW SPE0015A315
C52	1246348	CECA-CH 100N K X7R 0805 BAW SPE0035A315

C53	1290282	AL-ELCA 2M2 M 25V G BAW SPE0084A312RM7,5
C54	1246348	CECA-CH 100N K X7R 0805 BAW SPE0035A315
C55	1119125	CECA-CH 10N K X7R 0805 BAW SPE0015A315
C56	1119125	CECA-CH 10N K X7R 0805 BAW SPE0015A315
C57	1119125	CECA-CH 10N K X7R 0805 BAW SPE0015A315
C58	1119125	CECA-CH 10N K X7R 0805 BAW SPE0015A315
C59	1119125	CECA-CH 10N K X7R 0805 BAW SPE0015A315
C603	1182943	CECA-CH 47N K X7R 0805 BAW SPE0015A315
C606	1246348	CECA-CH 100N K X7R 0805 BAW SPE0035A315
C607	1253360	AL-ELCA 56U M 2000/105 16V NCC SXE-VB F0
C609	1246348	CECA-CH 100N K X7R 0805 BAW SPE0035A315
C610	1253360	AL-ELCA 56U M 2000/105 16V NCC SXE-VB F0
C611	1234536	CECA-CH 100P J NP0 0603 BAW SPE0030A315
C612	1249150	AL-ELCA 22U M 16V BAW SPE0067A312-RM2,5
C613	1246348	CECA-CH 100N K X7R 0805 BAW SPE0035A315
C62	1119125	CECA-CH 10N K X7R 0805 BAW SPE0015A315
C63	1119125	CECA-CH 10N K X7R 0805 BAW SPE0015A315
C64	1119125	CECA-CH 10N K X7R 0805 BAW SPE0015A315
C65	1119125	CECA-CH 10N K X7R 0805 BAW SPE0015A315
C70	1246348	CECA-CH 100N K X7R 0805 BAW SPE0035A315
C702	1281437	FOCA 100N J 63V G BAW SPE0015A314 RM5
C704	1307797	ALCA-CH 4U7 M 25V I G BAW SPE0164A312
C705	1281283	FOCA 15N J 63V G BAW SPE0010A314 RM5
C706	1275992	CECA-CH 330P J NP0 0603 BAW SPE0030A315
C707	1275992	CECA-CH 330P J NP0 0603 BAW SPE0030A315
C71	1246348	CECA-CH 100N K X7R 0805 BAW SPE0035A315
C712	1281437	FOCA 100N J 63V G BAW SPE0015A314 RM5
C714	1307797	ALCA-CH 4U7 M 25V I G BAW SPE0164A312
C715	1281283	FOCA 15N J 63V G BAW SPE0010A314 RM5
C716	1275992	CECA-CH 330P J NP0 0603 BAW SPE0030A315
C717	1275992	CECA-CH 330P J NP0 0603 BAW SPE0030A315
C72	1246348	CECA-CH 100N K X7R 0805 BAW SPE0035A315
C720	1249150	AL-ELCA 22U M 16V BAW SPE0067A312-RM2,5
C721	1252585	CECA-CH 470N J X5R 1206 16V MUR GRM42-6
C722	1166751	CECA-CH 4N7 K X7R 0805 BAW SPE0015A315
C723	1246348	CECA-CH 100N K X7R 0805 BAW SPE0035A315
C724	1246348	CECA-CH 100N K X7R 0805 BAW SPE0035A315
C725	1172085	AL-ELCA 100U M 16V G BAW SPE0063A3 RM2,5
C73	1246348	CECA-CH 100N K X7R 0805 BAW SPE0035A315
C74	1246348	CECA-CH 100N K X7R 0805 BAW SPE0035A315
C75	1246348	CECA-CH 100N K X7R 0805 BAW SPE0035A315
C76	1246348	CECA-CH 100N K X7R 0805 BAW SPE0035A315
C77	1246348	CECA-CH 100N K X7R 0805 BAW SPE0035A315
C805	1119060	CECA-CH 1N K X7R 0805 BAW SPE0015A315
C806	1234536	CECA-CH 100P J NP0 0603 BAW SPE0030A315
C807	1234536	CECA-CH 100P J NP0 0603 BAW SPE0030A315
C808	1234536	CECA-CH 100P J NP0 0603 BAW SPE0030A315

C811	1234536	CECA-CH 100P J NP0 0603 BAW SPE0030A315
C812	1234536	CECA-CH 100P J NP0 0603 BAW SPE0030A315
C813	1234536	CECA-CH 100P J NP0 0603 BAW SPE0030A315
C814	1234536	CECA-CH 100P J NP0 0603 BAW SPE0030A315
C815	1234536	CECA-CH 100P J NP0 0603 BAW SPE0030A315
C816	1234536	CECA-CH 100P J NP0 0603 BAW SPE0030A315
C817	1234536	CECA-CH 100P J NP0 0603 BAW SPE0030A315
C818	1234536	CECA-CH 100P J NP0 0603 BAW SPE0030A315
C819	1234536	CECA-CH 100P J NP0 0603 BAW SPE0030A315
C820	1234536	CECA-CH 100P J NP0 0603 BAW SPE0030A315
C821	1229974	AL-ELCA 100U M 25V I G BAW SPE0108 RM2,5
C830	1246348	CECA-CH 100N K X7R 0805 BAW SPE0035A315
C831	1246348	CECA-CH 100N K X7R 0805 BAW SPE0035A315
C832	1246348	CECA-CH 100N K X7R 0805 BAW SPE0035A315
C833	1246348	CECA-CH 100N K X7R 0805 BAW SPE0035A315
C834	1246348	CECA-CH 100N K X7R 0805 BAW SPE0035A315
C835	1182943	CECA-CH 47N K X7R 0805 BAW SPE0015A315
C836	1119117	CECA-CH 10N J X7R 0805 BAW SPE0014A315
C837	1246348	CECA-CH 100N K X7R 0805 BAW SPE0035A315
C840	1246348	CECA-CH 100N K X7R 0805 BAW SPE0035A315
C852	1119125	CECA-CH 10N K X7R 0805 BAW SPE0015A315
C861	1258907	ALCA-CH 1U M 50V I G BAW SPE0161A312
C862	1258877	AL-ELCA 4U7 M 50V G BAW SPE0049A31 RM2,5
C863	1258907	ALCA-CH 1U M 50V I G BAW SPE0161A312
C870	1246348	CECA-CH 100N K X7R 0805 BAW SPE0035A315
C871	1246348	CECA-CH 100N K X7R 0805 BAW SPE0035A315
C881	1246348	CECA-CH 100N K X7R 0805 BAW SPE0035A315
C882	1246348	CECA-CH 100N K X7R 0805 BAW SPE0035A315
C897	1258907	ALCA-CH 1U M 50V I G BAW SPE0161A312
C898	1258907	ALCA-CH 1U M 50V I G BAW SPE0161A312
C901	1246348	CECA-CH 100N K X7R 0805 BAW SPE0035A315
C902	1246348	CECA-CH 100N K X7R 0805 BAW SPE0035A315
C908	1223951	CECA-CH 22P J NP0 0603 BAW SPE0030A315
C909	1223951	CECA-CH 22P J NP0 0603 BAW SPE0030A315
C919	1246348	CECA-CH 100N K X7R 0805 BAW SPE0035A315
C928	1246348	CECA-CH 100N K X7R 0805 BAW SPE0035A315
C929	1246348	CECA-CH 100N K X7R 0805 BAW SPE0035A315
C939	1246348	CECA-CH 100N K X7R 0805 BAW SPE0035A315
C949	1246348	CECA-CH 100N K X7R 0805 BAW SPE0035A315
C958	1246348	CECA-CH 100N K X7R 0805 BAW SPE0035A315
C968	1246348	CECA-CH 100N K X7R 0805 BAW SPE0035A315
C969	1246348	CECA-CH 100N K X7R 0805 BAW SPE0035A315
D101	1149326	CHOKE-CH 0,68UH K G SIE B82422-A3681-K
D103	1289950	CHOKE-CH 10UH K G SIE B82432-A1103-K
D104	1242164	INDUCTOR-CH G MUR BLM11B141D
D1500	1237705	INDUCTOR-CH G MUR BLM21A601S
D1501	1305591	INDUCTOR-CH G MUR BLM11A601S

D1502	1237705	INDUCTOR-CH G MUR BLM21A601S
D1503	1227221	INDUCTOR-CH G MUR BLM11A221S
D1504	1000950	CHOKE-CH 47UH K G SIE B82422-A1473-K
D1505	1305591	INDUCTOR-CH G MUR BLM11A601S
D1550	1237705	INDUCTOR-CH G MUR BLM21A601S
D1801	1227221	INDUCTOR-CH G MUR BLM11A221S
D301	1178237	CHOKE-CH 2,2UH K G SIE B82422-A1222-K
D302	1249398	CHOKE-CH 2,2MH K G MSI C6-R/3333
D304	1245368	CHOKE-CH 68UH K G SIE B82432-S1683-K
D305	1245368	CHOKE-CH 68UH K G SIE B82432-S1683-K
D306	1148494	CHOKE-CH 0,47UH J G SIE B82422-A3471-J
D50	1237705	INDUCTOR-CH G MUR BLM21A601S
D51	1237705	INDUCTOR-CH G MUR BLM21A601S
D52	1237705	INDUCTOR-CH G MUR BLM21A601S
D53	1244922	CHOKE,BATT.- 200UH VOG 5730409900
D870	1227221	INDUCTOR-CH G MUR BLM11A221S
D871	1227221	INDUCTOR-CH G MUR BLM11A221S
D873	1245104	CHOKE-CH 51UH N 0,5A G SIE B82790
D909	1237705	INDUCTOR-CH G MUR BLM21A601S
D930	1237705	INDUCTOR-CH G MUR BLM21A601S
D931	1237705	INDUCTOR-CH G MUR BLM21A601S
DI101	1217186	DIODE-CH SIE BB914 G
DI102	1217186	DIODE-CH SIE BB914 G
DI104	1225529	DIODE-CH TEL S391D G
DI131	1217186	DIODE-CH SIE BB914 G
DI1801	1252143	DIODE-CH PHI BAS216 G
DI1803	1252143	DIODE-CH PHI BAS216 G
DI1804	1252143	DIODE-CH PHI BAS216 G
DI1805	1252143	DIODE-CH PHI BAS216 G
DI203	1252143	DIODE-CH PHI BAS216 G
DI301	1229788	DIODE-CH BAW BA779-2/1SV234/DPA05 G SPE
DI302	1252143	DIODE-CH PHI BAS216 G
DI50	1179683	DIODE-CH GIC S3B G
DI501	1252143	DIODE-CH PHI BAS216 G
DI603	1118757	DIODE-CH BAW 6V8 5% SHIP-TO-STOCK G SPE0
DI830	1043587	DIODE-CH BAW BAW56 SHIP-TO ST.G SPE0028A
DI831	1043587	DIODE-CH BAW BAW56 SHIP-TO ST.G SPE0028A
DI832	1043587	DIODE-CH BAW BAW56 SHIP-TO ST.G SPE0028A
DI833	1252143	DIODE-CH PHI BAS216 G
DI834	1252143	DIODE-CH PHI BAS216 G
DI840	1076353	DIODE-CH BAW 5V6 2% SHIP-TO-STOCK G SPE0
DI853	1252143	DIODE-CH PHI BAS216 G
DI854	1252143	DIODE-CH PHI BAS216 G
DI861	1043587	DIODE-CH BAW BAW56 SHIP-TO ST.G SPE0028A
DI885	1252143	DIODE-CH PHI BAS216 G
DI890	1252143	DIODE-CH PHI BAS216 G
F101	1295004	FILTER, FMZ- 100MHZ TOK MC122 E528ENAS-1

F102	1253395	FILTER, FMZ- 100MHZ TOK/P666SNS-256Z-RT
F131	1284827	FILTER,AMO/FMO-120MHZ TOK VAG,VWA,GEA
F201	1290568	FILTER, FM-ZF- 10,7MHZ TOK 5PAG-C805PN-
F204	1291637	FILTER,FM-PHASENKR.-10,7MHZ MSI RA7008-2
F321	1247115	FILTER, AM-ZF- 450KHZ TOK 5PAG (C805LN-0
IC101	1309404	IC-CH SIE TUA 4306 B3 MQFP64/1 G
IC1401	1155431	IC-CH PHI SAA6579T/V1 SHIP-TO-STOCK
IC1500	1239147	IC-CH AUM OCC8001-01
IC1501	1249101	IC-CH TOS TC7S08F G
IC1502	1311050	IC-CH AKM AK4520B-E2
IC151	1283510	IC-CH SGT TDA 7427 AD (TSSOP28) G
IC1801	0901806	IC-CH PHI PCF8576T/F2 SHIP-TO-STOCK G
IC1802	1299662	IC-CH NEC UPD 754302-3200-04/98
IC2001	1246178	IC-CH SGT TDA7342TR G
IC361	1283669	IC-CH HIT HA12181FP FP-16DA
IC501	1271180	IC PHI TDA8569Q /N1
IC601	1258397	IC-CH SIE TLE4276GV P-TO220-5-122
IC602	1246674	IC-CH SIE TLE4269GL P-DSO20-6 G
IC701	1246607	IC-CH SOY CXA2510Q
IC702	1245996	IC-CH PHI 74HC03D,653 G
IC831	1286242	IC-CH TOS TC7S14F G
IC870	1279432	IC-CH PHI TJA 1053 G
IC881	1240481	IC-CH SIE BSP452 G
IC901	1245058	IC-CH SIE SAF-C515C-8R P-MQFP-80
IC902	1294490	IC-CH PHI 74HC573 PW,118-TSSOP20
IC903	1312170	IC-SOCKET+C450 32POL CAB 540-99-032-07-400-0
IC903	1338196	IC-CH BAW 27C010-90-3100-26/99 3100
IC904	1294334	IC-CH SAY LC35256DT-70-TLM
IC905	1294490	IC-CH PHI 74HC573 PW,118-TSSOP20
IC906	1294490	IC-CH PHI 74HC573 PW,118-TSSOP20
IC909	1294601	IC-CH PHI 74HC02PW-TSSOP14 G
IC910	1012071	IC-CH BAW 74HC4094 G SPE0005A308
IC911	1012071	IC-CH BAW 74HC4094 G SPE0005A308
KF201	1306987	K-FILT MUR SFE 10,7 MS3A10GJ24-A-S-TF21
KF202	1331590	KERA-FILTER MUR SFE 10,7MHZ MTE-TF22
KF204	1307010	K-FILT.MUR SFE 10,7MHZ MJA10J24-A-S-TF21
KF205	1306987	K-FILT MUR SFE 10,7 MS3A10GJ24-A-S-TF21
KF321	1237713	KERA-FILTER MUR CFWS 450 IT
LD1801	1285122	LED-CH SIE LYT670E9349 K2/U Q62703-Q4228
LD1802	1285122	LED-CH SIE LYT670E9349 K2/U Q62703-Q4228
LD1803	1285122	LED-CH SIE LYT670E9349 K2/U Q62703-Q4228
LD1804	1285122	LED-CH SIE LYT670E9349 K2/U Q62703-Q4228
LD1805	1285122	LED-CH SIE LYT670E9349 K2/U Q62703-Q4228
LD1806	1285122	LED-CH SIE LYT670E9349 K2/U Q62703-Q4228
LD1807	1285122	LED-CH SIE LYT670E9349 K2/U Q62703-Q4228
LD1808	1285122	LED-CH SIE LYT670E9349 K2/U Q62703-Q4228
LD1809	1285122	LED-CH SIE LYT670E9349 K2/U Q62703-Q4228

LD1810	1285122	LED-CH SIE LYT670E9349 K2/U Q62703-Q4228
LD1811	1285122	LED-CH SIE LYT670E9349 K2/U Q62703-Q4228
LD1812	1285122	LED-CH SIE LYT670E9349 K2/U Q62703-Q4228
LD1813	1285122	LED-CH SIE LYT670E9349 K2/U Q62703-Q4228
LD1814	1285122	LED-CH SIE LYT670E9349 K2/U Q62703-Q4228
LD1831	1285122	LED-CH SIE LYT670E9349 K2/U Q62703-Q4228
LD1832	1285122	LED-CH SIE LYT670E9349 K2/U Q62703-Q4228
LD1833	1285122	LED-CH SIE LYT670E9349 K2/U Q62703-Q4228
LD1834	1285122	LED-CH SIE LYT670E9349 K2/U Q62703-Q4228
LD1835	1285122	LED-CH SIE LYT670E9349 K2/U Q62703-Q4228
LD1836	1285122	LED-CH SIE LYT670E9349 K2/U Q62703-Q4228
LD1837	1285122	LED-CH SIE LYT670E9349 K2/U Q62703-Q4228
LD1838	1285122	LED-CH SIE LYT670E9349 K2/U Q62703-Q4228
LD1839	1285122	LED-CH SIE LYT670E9349 K2/U Q62703-Q4228
LD1840	1285122	LED-CH SIE LYT670E9349 K2/U Q62703-Q4228
LD1841	1285122	LED-CH SIE LYT670E9349 K2/U Q62703-Q4228
LD1842	1285122	LED-CH SIE LYT670E9349 K2/U Q62703-Q4228
LD1843	1285122	LED-CH SIE LYT670E9349 K2/U Q62703-Q4228
LD1844	1285122	LED-CH SIE LYT670E9349 K2/U Q62703-Q4228
LD1846	1285122	LED-CH SIE LYT670E9349 K2/U Q62703-Q4228
LD1847	1285122	LED-CH SIE LYT670E9349 K2/U Q62703-Q4228
LD1848	1285122	LED-CH SIE LYT670E9349 K2/U Q62703-Q4228
LD1849	1285122	LED-CH SIE LYT670E9349 K2/U Q62703-Q4228
LD1850	1285122	LED-CH SIE LYT670E9349 K2/U Q62703-Q4228
LD1851	1285122	LED-CH SIE LYT670E9349 K2/U Q62703-Q4228
LD1861	1158767	LED-CH SIE LST670 G -RT
OT1500	1248121	TRANSCEIVER AMP 966893 D2BOPTICAL-HEADER
P701	1246615	TRIRES-CH 10K 0,10W MUR POZ3AN1-103N-T00
P702	1246615	TRIRES-CH 10K 0,10W MUR POZ3AN1-103N-T00
Q1401	1277898	QUARTZ 4,332MHZ G NDK AT-51
Q1500	1305492	QUARTZ-CH 16,9344 MHZ NDK AT-41CD2
Q151	1280279	QUARTZ 10,250 MHZ G NDK AT-51 M.ISOPL.
Q1801	1171501	KERA-RESON-CH MUR CSAC 4,19 MGCA G
Q251	1295268	KERA-RESON-CH MUR CSBF456 JF 239
Q901	1295691	QUARTZ 10MHZ TQG TQX6674 MIT ISOPL.
R1000	1254332	RES-CH 47K F 0603 G BAW SPE0028A323
R1002	1254332	RES-CH 47K F 0603 G BAW SPE0028A323
R1004	1254332	RES-CH 47K F 0603 G BAW SPE0028A323
R1005	1297058	RES-CH 22K F 0603 G BAW SPE0028A323
R1006	1297058	RES-CH 22K F 0603 G BAW SPE0028A323
R1007	1297058	RES-CH 22K F 0603 G BAW SPE0028A323
R1008	1297058	RES-CH 22K F 0603 G BAW SPE0028A323
R1009	1297058	RES-CH 22K F 0603 G BAW SPE0028A323
R1010	1297058	RES-CH 22K F 0603 G BAW SPE0028A323
R1011	1297058	RES-CH 22K F 0603 G BAW SPE0028A323
R1012	1297058	RES-CH 22K F 0603 G BAW SPE0028A323
R102	1304445	RES-CH 1K F 0603 BAW SPE0028A323

R103	1304161	RES-CH 10R F 0603 BAW SPE0027A323
R105	1304161	RES-CH 10R F 0603 BAW SPE0027A323
R106	1271199	RES-CH 56K F 0603 G BAW SPE0028A323
R107	1304161	RES-CH 10R F 0603 BAW SPE0027A323
R112	1254332	RES-CH 47K F 0603 G BAW SPE0028A323
R1160	1305085	RES-CH 820K F 0603 BAW SPE0028A323
R1161	1304445	RES-CH 1K F 0603 BAW SPE0028A323
R121	1297041	RES-CH 10K F 0603 G BAW SPE0028A323
R122	1271199	RES-CH 56K F 0603 G BAW SPE0028A323
R123	1297041	RES-CH 10K F 0603 G BAW SPE0028A323
R124	1271199	RES-CH 56K F 0603 G BAW SPE0028A323
R125	1297041	RES-CH 10K F 0603 G BAW SPE0028A323
R126	1285564	RES-CH 4K7 F 0603 G BAW SPE0028A323
R127	1304445	RES-CH 1K F 0603 BAW SPE0028A323
R131	1297041	RES-CH 10K F 0603 G BAW SPE0028A323
R132	1297041	RES-CH 10K F 0603 G BAW SPE0028A323
R1401	1304161	RES-CH 10R F 0603 BAW SPE0027A323
R1402	1304437	RES-CH 820R F 0603 BAW SPE0027A323
R1500	1304471	RES-CH 2K F 0603 G BAW SPE0028A323
R1501	1271202	RES-CH 220K F 0603 G BAW SPE0028A323
R1502	1277588	RES-CH 330K F 0603 G BAW SPE 0028A323
R1503	1304755	RES-CH 1R5 F 0805 G BAW SPE0017A323
R1506	1304364	RES-CH 270R F 0603 BAW SPE0027A323
R1507	1304364	RES-CH 270R F 0603 BAW SPE0027A323
R1508	1304364	RES-CH 270R F 0603 BAW SPE0027A323
R1509	1304364	RES-CH 270R F 0603 BAW SPE0027A323
R151	1297041	RES-CH 10K F 0603 G BAW SPE0028A323
R1511	1304410	RES-CH 560R F 0603 BAW SPE0027A323
R1512	1304410	RES-CH 560R F 0603 BAW SPE0027A323
R1513	1304410	RES-CH 560R F 0603 BAW SPE0027A323
R1514	1304410	RES-CH 560R F 0603 BAW SPE0027A323
R1515	1304410	RES-CH 560R F 0603 BAW SPE0027A323
R1516	1304410	RES-CH 560R F 0603 BAW SPE0027A323
R1517	1271199	RES-CH 56K F 0603 G BAW SPE0028A323
R1518	1235389	RES-CH 2K4 F 0603 G BAW SPE0028A323
R1519	1235389	RES-CH 2K4 F 0603 G BAW SPE0028A323
R152	1304161	RES-CH 10R F 0603 BAW SPE0027A323
R1520	1271199	RES-CH 56K F 0603 G BAW SPE0028A323
R1521	1304321	RES-CH 150R F 0603 BAW SPE0027A323
R1522	1304321	RES-CH 150R F 0603 BAW SPE0027A323
R1523	1304364	RES-CH 270R F 0603 BAW SPE0027A323
R1524	1304364	RES-CH 270R F 0603 BAW SPE0027A323
R1525	1304364	RES-CH 270R F 0603 BAW SPE0027A323
R1526	1304364	RES-CH 270R F 0603 BAW SPE0027A323
R1527	1304364	RES-CH 270R F 0603 BAW SPE0027A323
R1528	1297058	RES-CH 22K F 0603 G BAW SPE0028A323
R153	1253700	RES-CH 8K2 F 0603 G BAW SPE0028A323



R154	1304445	RES-CH 1K F 0603 BAW SPE0028A323
R1550	1304445	RES-CH 1K F 0603 BAW SPE0028A323
R1551	1304410	RES-CH 560R F 0603 BAW SPE0027A323
R156	1305001	RES-CH 33K F 0603 BAW SPE0028A323
R157	1304161	RES-CH 10R F 0603 BAW SPE0027A323
R159	1304445	RES-CH 1K F 0603 BAW SPE0028A323
R161	1304445	RES-CH 1K F 0603 BAW SPE0028A323
R163	1227661	RES-CH 0R 0603 BAW SPE0025A323
R165	1297041	RES-CH 10K F 0603 G BAW SPE0028A323
R166	1297041	RES-CH 10K F 0603 G BAW SPE0028A323
R168	1297058	RES-CH 22K F 0603 G BAW SPE0028A323
R169	1304161	RES-CH 10R F 0603 BAW SPE0027A323
R1801	1226649	RES-CH 680R F 1206 BAW SPE0015A323
R1802	1293206	RES-CH 1K5 F 1206 BAW SPE0016A323
R1803	1293206	RES-CH 1K5 F 1206 BAW SPE0016A323
R1804	1293206	RES-CH 1K5 F 1206 BAW SPE0016A323
R1805	1293206	RES-CH 1K5 F 1206 BAW SPE0016A323
R1809	1303511	RES-CH 560R F 1206 G BAW SPE0015A323
R1810	1303511	RES-CH 560R F 1206 G BAW SPE0015A323
R1811	1303511	RES-CH 560R F 1206 G BAW SPE0015A323
R1812	1303511	RES-CH 560R F 1206 G BAW SPE0015A323
R1813	1303538	RES-CH 820R F 1206 G BAW SPE0015A323
R1814	1303491	RES-CH 470R F 1206 G BAW SPE0015A323
R1815	1226649	RES-CH 680R F 1206 BAW SPE0015A323
R1816	1304437	RES-CH 820R F 0603 BAW SPE0027A323
R1817	1304437	RES-CH 820R F 0603 BAW SPE0027A323
R1818	1304437	RES-CH 820R F 0603 BAW SPE0027A323
R1819	1304437	RES-CH 820R F 0603 BAW SPE0027A323
R1831	1304445	RES-CH 1K F 0603 BAW SPE0028A323
R1832	1297058	RES-CH 22K F 0603 G BAW SPE0028A323
R1833	1297058	RES-CH 22K F 0603 G BAW SPE0028A323
R1836	1305158	RES-CH 100K F 0603 BAW SPE0028A323
R1837	1305093	RES-CH 1M F 0603 BAW SPE0028A323
R1841	1304402	RES-CH 470R F 0603 BAW SPE0027A323
R1842	1285564	RES-CH 4K7 F 0603 G BAW SPE0028A323
R1844	1305158	RES-CH 100K F 0603 BAW SPE0028A323
R1846	1305158	RES-CH 100K F 0603 BAW SPE0028A323
R1847	1305158	RES-CH 100K F 0603 BAW SPE0028A323
R1848	1297058	RES-CH 22K F 0603 G BAW SPE0028A323
R1849	1297058	RES-CH 22K F 0603 G BAW SPE0028A323
R1851	1304331	RES-CH 180R F 0603 BAW SPE0027A323
R1852	1304305	RES-CH 120R F 0603 G BAW SPE0027A323
R1854	1304402	RES-CH 470R F 0603 BAW SPE0027A323
R1861	1282662	RES-CH 180K F 0603 G BAW SPE0028A323
R1862	1288415	RES-CH 6K8 F 0603 G BAW SPE 0028A323
R1864	1288393	RES-CH 5K1 F 0603 G BAW SPE0028A323
R1865	1254332	RES-CH 47K F 0603 G BAW SPE0028A323

R2001	1297058	RES-CH 22K F 0603 G BAW SPE0028A323
R2002	1254332	RES-CH 47K F 0603 G BAW SPE0028A323
R2003	1254022	RES-CH 2K2 F 0603 G BAW SPE0028A323
R2004	1304496	RES-CH 3K9 F 0603 G BAW SPE0028A323
R2005	1304496	RES-CH 3K9 F 0603 G BAW SPE0028A323
R2006	1304496	RES-CH 3K9 F 0603 G BAW SPE0028A323
R2007	1304496	RES-CH 3K9 F 0603 G BAW SPE0028A323
R2008	1253700	RES-CH 8K2 F 0603 G BAW SPE0028A323
R2009	1227661	RES-CH 0R 0603 BAW SPE0025A323
R201	1304364	RES-CH 270R F 0603 BAW SPE0027A323
R2010	1253700	RES-CH 8K2 F 0603 G BAW SPE0028A323
R2011	1227661	RES-CH 0R 0603 BAW SPE0025A323
R2012	1291181	RES-CH 5K6 F 0603 G BAW SPE0028A323
R2013	1291181	RES-CH 5K6 F 0603 G BAW SPE0028A323
R202	1304445	RES-CH 1K F 0603 BAW SPE0028A323
R203	1254448	RES-CH 27K F 0603 G BAW SPE0028A323
R204	1254332	RES-CH 47K F 0603 G BAW SPE0028A323
R205	1254332	RES-CH 47K F 0603 G BAW SPE0028A323
R206	1304232	RES-CH 47R F 0603 G BAW SPE0027A323
R207	1254431	RES-CH 20K F 0603 G BAW SPE0028A323
R208	1297058	RES-CH 22K F 0603 G BAW SPE0028A323
R209	1297058	RES-CH 22K F 0603 G BAW SPE0028A323
R210	1304161	RES-CH 10R F 0603 BAW SPE0027A323
R211	1304399	RES-CH 390R F 0603 BAW SPE0027A323
R212	1304161	RES-CH 10R F 0603 BAW SPE0027A323
R213	1304161	RES-CH 10R F 0603 BAW SPE0027A323
R214	1246623	RES-CH 430K F 0603 G BAW SPE0028A323
R215	1304496	RES-CH 3K9 F 0603 G BAW SPE0028A323
R221	1258478	RES-CH 15K F 0603 BAW SPE0028A323
R222	1258486	RES-CH 39K F 0603 BAW SPE0028A323
R223	1257838	NTCRES-CH 220R J 0805 SIE B57620-C221-J62
R224	1285564	RES-CH 4K7 F 0603 G BAW SPE0028A323
R225	1304380	RES-CH 330R F 0603 BAW SPE0027A323
R227	1282700	RES-CH 120K F 0603 G BAW SPE 0028A323
R228	1282662	RES-CH 180K F 0603 G BAW SPE0028A323
R229	1304488	RES-CH 2K7 F 0603 BAW SPE0028A323
R230	1313185	RES-CH 51K F 0603 G BAW SPE 0028 A 323
R231	1304445	RES-CH 1K F 0603 BAW SPE0028A323
R232	1305131	RES-CH 68K F 0603 BAW SPE0028A323
R235	1254340	RES-CH 270K F 0603 G BAW SPE0028A323
R236	1305018	RES-CH 150K F 0603 BAW SPE0028A323
R240	1304445	RES-CH 1K F 0603 BAW SPE0028A323
R241	1271202	RES-CH 220K F 0603 G BAW SPE0028A323
R242	1254332	RES-CH 47K F 0603 G BAW SPE0028A323
R243	1305069	RES-CH 560K F 0603 BAW SPE0028A323
R244	1297058	RES-CH 22K F 0603 G BAW SPE0028A323
R245	1304402	RES-CH 470R F 0603 BAW SPE0027A323

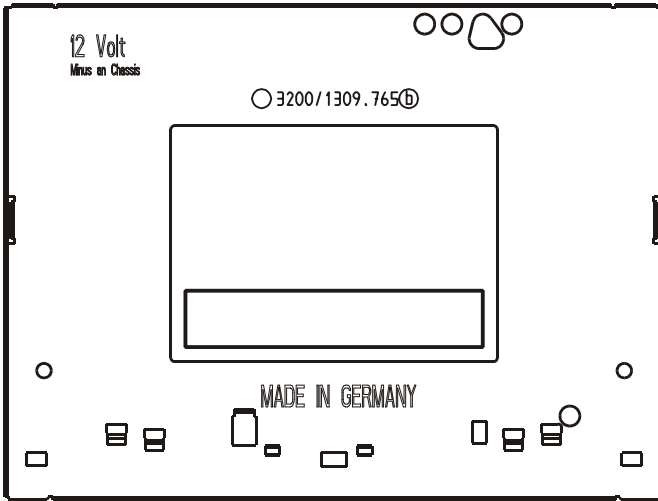
R246	1305131	RES-CH 68K F 0603 BAW SPE0028A323
R247	1297041	RES-CH 10K F 0603 G BAW SPE0028A323
R248	1254332	RES-CH 47K F 0603 G BAW SPE0028A323
R249	1285564	RES-CH 4K7 F 0603 G BAW SPE0028A323
R251	1254332	RES-CH 47K F 0603 G BAW SPE0028A323
R252	1254332	RES-CH 47K F 0603 G BAW SPE0028A323
R253	1305158	RES-CH 100K F 0603 BAW SPE0028A323
R254	1297041	RES-CH 10K F 0603 G BAW SPE0028A323
R255	1297041	RES-CH 10K F 0603 G BAW SPE0028A323
R256	1227661	RES-CH 0R 0603 BAW SPE0025A323
R257	1297058	RES-CH 22K F 0603 G BAW SPE0028A323
R269	1304348	RES-CH 220R F 0603 BAW SPE0027A323
R270	1304313	RES-CH 130R F 0603 G BAW SPE0027A323
R271	1304348	RES-CH 220R F 0603 BAW SPE0027A323
R274	1277588	RES-CH 330K F 0603 G BAW SPE 0028A323
R275	1302965	RES-CH 130K F 0603 G BAW SPE0028A323
R276	1305158	RES-CH 100K F 0603 BAW SPE0028A323
R277	1304348	RES-CH 220R F 0603 BAW SPE0027A323
R279	1285564	RES-CH 4K7 F 0603 G BAW SPE0028A323
R285	1304402	RES-CH 470R F 0603 BAW SPE0027A323
R287	1305158	RES-CH 100K F 0603 BAW SPE0028A323
R288	1305158	RES-CH 100K F 0603 BAW SPE0028A323
R290	1304445	RES-CH 1K F 0603 BAW SPE0028A323
R296	1227661	RES-CH 0R 0603 BAW SPE0025A323
R297	1304291	RES-CH 110R F 0603 G BAW SPE0027A323
R301	1305050	RES-CH 470K F 0603 BAW SPE0028A323
R302	1304852	RES-CH 47R F 0805 G BAW SPE0017A323
R306	1254022	RES-CH 2K2 F 0603 G BAW SPE0028A323
R307	1304178	RES-CH 18R F 0603 BAW SPE0027A323
R312	1304402	RES-CH 470R F 0603 BAW SPE0027A323
R313	1288415	RES-CH 6K8 F 0603 G BAW SPE 0028A323
R316	1304259	RES-CH 68R F 0603 BAW SPE0027A323
R317	1304380	RES-CH 330R F 0603 BAW SPE0027A323
R318	1305093	RES-CH 1M F 0603 BAW SPE0028A323
R321	1304161	RES-CH 10R F 0603 BAW SPE0027A323
R323	1304399	RES-CH 390R F 0603 BAW SPE0027A323
R324	1304380	RES-CH 330R F 0603 BAW SPE0027A323
R327	1258478	RES-CH 15K F 0603 BAW SPE0028A323
R328	1304461	RES-CH 1K5 F 0603 G BAW SPE0028A323
R329	1285564	RES-CH 4K7 F 0603 G BAW SPE0028A323
R331	1281811	RES-CH 1K8 F 0603 G BAW SPE0028A323
R347	1305131	RES-CH 68K F 0603 BAW SPE0028A323
R348	1282700	RES-CH 120K F 0603 G BAW SPE 0028A323
R349	1254332	RES-CH 47K F 0603 G BAW SPE0028A323
R350	1254332	RES-CH 47K F 0603 G BAW SPE0028A323
R351	1254340	RES-CH 270K F 0603 G BAW SPE0028A323
R352	1254324	RES-CH 24K F 0603 G BAW SPE0028A323

R353	1304445	RES-CH 1K F 0603 BAW SPE0028A323
R360	1305158	RES-CH 100K F 0603 BAW SPE0028A323
R361	1254421	RES-CH 12K F 0603 G BAW SPE0028A323
R362	1285564	RES-CH 4K7 F 0603 G BAW SPE0028A323
R363	1282662	RES-CH 180K F 0603 G BAW SPE0028A323
R364	1297058	RES-CH 22K F 0603 G BAW SPE0028A323
R365	1254332	RES-CH 47K F 0603 G BAW SPE0028A323
R370	1018302	RES-CH 0R 0805 G BAW SPE0009A323
R50	1303112	RES-CH 15R F 1206 G BAW SPE0015A323
R501	1297041	RES-CH 10K F 0603 G BAW SPE0028A323
R506	1281811	RES-CH 1K8 F 0603 G BAW SPE0028A323
R507	1281811	RES-CH 1K8 F 0603 G BAW SPE0028A323
R508	1281811	RES-CH 1K8 F 0603 G BAW SPE0028A323
R509	1281811	RES-CH 1K8 F 0603 G BAW SPE0028A323
R51	1303112	RES-CH 15R F 1206 G BAW SPE0015A323
R52	1303112	RES-CH 15R F 1206 G BAW SPE0015A323
R602	1159496	RES-CH 22K F 0805 G BAW SPE0018A323
R603	1285564	RES-CH 4K7 F 0603 G BAW SPE0028A323
R604	1258478	RES-CH 15K F 0603 BAW SPE0028A323
R605	1258486	RES-CH 39K F 0603 BAW SPE0028A323
R608	1304364	RES-CH 270R F 0603 BAW SPE0027A323
R609	1304283	RES-CH 100R F 0603 BAW SPE0027A323
R614	1304445	RES-CH 1K F 0603 BAW SPE0028A323
R615	1304445	RES-CH 1K F 0603 BAW SPE0028A323
R618	1297041	RES-CH 10K F 0603 G BAW SPE0028A323
R619	1297041	RES-CH 10K F 0603 G BAW SPE0028A323
R620	1297041	RES-CH 10K F 0603 G BAW SPE0028A323
R621	1297041	RES-CH 10K F 0603 G BAW SPE0028A323
R623	1227661	RES-CH 0R 0603 BAW SPE0025A323
R701	1304526	RES-CH 11K F 0603 G TK100 BAW SPE0028A
R702	1304518	RES-CH 16K F 0603 G BAW SPE0028A323
R703	1282662	RES-CH 180K F 0603 G BAW SPE0028A323
R704	1304283	RES-CH 100R F 0603 BAW SPE0027A323
R711	1304526	RES-CH 11K F 0603 G TK100 BAW SPE0028A
R712	1304518	RES-CH 16K F 0603 G BAW SPE0028A323
R713	1282662	RES-CH 180K F 0603 G BAW SPE0028A323
R714	1304283	RES-CH 100R F 0603 BAW SPE0027A323
R720	1248197	RES-CH 18K F 0603 G BAW SPE0028A323
R721	1304496	RES-CH 3K9 F 0603 G BAW SPE0028A323
R722	1305131	RES-CH 68K F 0603 BAW SPE0028A323
R723	1305050	RES-CH 470K F 0603 BAW SPE0028A323
R725	1305001	RES-CH 33K F 0603 BAW SPE0028A323
R726	1305001	RES-CH 33K F 0603 BAW SPE0028A323
R727	1254332	RES-CH 47K F 0603 G BAW SPE0028A323
R728	1304161	RES-CH 10R F 0603 BAW SPE0027A323
R729	1297058	RES-CH 22K F 0603 G BAW SPE0028A323
R730	1297058	RES-CH 22K F 0603 G BAW SPE0028A323

R732	1227661	RES-CH 0R 0603 BAW SPE0025A323
R735	1254332	RES-CH 47K F 0603 G BAW SPE0028A323
R736	1254332	RES-CH 47K F 0603 G BAW SPE0028A323
R809	1297041	RES-CH 10K F 0603 G BAW SPE0028A323
R810	1226657	RES-CH 1K F 1206 BAW SPE0016A323
R811	1304445	RES-CH 1K F 0603 BAW SPE0028A323
R820	1283367	RES-CH 10R F 1206 G TK100 BAW0015A323
R821	1283367	RES-CH 10R F 1206 G TK100 BAW0015A323
R822	1283367	RES-CH 10R F 1206 G TK100 BAW0015A323
R830	1297058	RES-CH 22K F 0603 G BAW SPE0028A323
R831	1254332	RES-CH 47K F 0603 G BAW SPE0028A323
R832	1254332	RES-CH 47K F 0603 G BAW SPE0028A323
R833	1297058	RES-CH 22K F 0603 G BAW SPE0028A323
R834	1297058	RES-CH 22K F 0603 G BAW SPE0028A323
R835	1254332	RES-CH 47K F 0603 G BAW SPE0028A323
R836	1254332	RES-CH 47K F 0603 G BAW SPE0028A323
R837	1297058	RES-CH 22K F 0603 G BAW SPE0028A323
R838	1297058	RES-CH 22K F 0603 G BAW SPE0028A323
R839	1254332	RES-CH 47K F 0603 G BAW SPE0028A323
R841	1254332	RES-CH 47K F 0603 G BAW SPE0028A323
R842	1305050	RES-CH 470K F 0603 BAW SPE0028A323
R843	1271199	RES-CH 56K F 0603 G BAW SPE0028A323
R844	1226592	RES-CH 100R F 1206 BAW SPE0015A323
R845	1304348	RES-CH 220R F 0603 BAW SPE0027A323
R846	1159496	RES-CH 22K F 0805 G BAW SPE0018A323
R847	1297041	RES-CH 10K F 0603 G BAW SPE0028A323
R848	1305131	RES-CH 68K F 0603 BAW SPE0028A323
R850	1258478	RES-CH 15K F 0603 BAW SPE0028A323
R851	1304445	RES-CH 1K F 0603 BAW SPE0028A323
R852	1254022	RES-CH 2K2 F 0603 G BAW SPE0028A323
R853	1304429	RES-CH 680R F 0603 BAW SPE0027A323
R854	1304186	RES-CH 22R F 0603 BAW SPE0027A323
R855	1297041	RES-CH 10K F 0603 G BAW SPE0028A323
R857	1304186	RES-CH 22R F 0603 BAW SPE0027A323
R859	1254332	RES-CH 47K F 0603 G BAW SPE0028A323
R860	1297058	RES-CH 22K F 0603 G BAW SPE0028A323
R861	1304445	RES-CH 1K F 0603 BAW SPE0028A323
R862	1254421	RES-CH 12K F 0603 G BAW SPE0028A323
R863	1235397	RES-CH 3K3 F 0603 G BAW SPE0028A323
R864	1305158	RES-CH 100K F 0603 BAW SPE0028A323
R865	1254332	RES-CH 47K F 0603 G BAW SPE0028A323
R872	1328417	RES-CH 1K6 F 0603 G BAW SPE0028A323
R873	1328417	RES-CH 1K6 F 0603 G BAW SPE0028A323
R881	1297041	RES-CH 10K F 0603 G BAW SPE0028A323
R882	1297041	RES-CH 10K F 0603 G BAW SPE0028A323
R883	1297041	RES-CH 10K F 0603 G BAW SPE0028A323
R885	1297041	RES-CH 10K F 0603 G BAW SPE0028A323

R886	1297058	RES-CH 22K F 0603 G BAW SPE0028A323
R887	1297058	RES-CH 22K F 0603 G BAW SPE0028A323
R888	1297041	RES-CH 10K F 0603 G BAW SPE0028A323
R890	1297041	RES-CH 10K F 0603 G BAW SPE0028A323
R891	1297058	RES-CH 22K F 0603 G BAW SPE0028A323
R892	1297058	RES-CH 22K F 0603 G BAW SPE0028A323
R893	1304445	RES-CH 1K F 0603 BAW SPE0028A323
R897	1297041	RES-CH 10K F 0603 G BAW SPE0028A323
R898	1297041	RES-CH 10K F 0603 G BAW SPE0028A323
R908	1304283	RES-CH 100R F 0603 BAW SPE0027A323
R914	1304445	RES-CH 1K F 0603 BAW SPE0028A323
R915	1304410	RES-CH 560R F 0603 BAW SPE0027A323
R916	1304445	RES-CH 1K F 0603 BAW SPE0028A323
R920	1304410	RES-CH 560R F 0603 BAW SPE0027A323
R934	1304445	RES-CH 1K F 0603 BAW SPE0028A323
R935	1304445	RES-CH 1K F 0603 BAW SPE0028A323
R942	1304410	RES-CH 560R F 0603 BAW SPE0027A323
R947	1304445	RES-CH 1K F 0603 BAW SPE0028A323
R956	1304445	RES-CH 1K F 0603 BAW SPE0028A323
R957	1304410	RES-CH 560R F 0603 BAW SPE0027A323
R988	1254332	RES-CH 47K F 0603 G BAW SPE0028A323
R989	1254332	RES-CH 47K F 0603 G BAW SPE0028A323
R998	1254332	RES-CH 47K F 0603 G BAW SPE0028A323
R999	1254332	RES-CH 47K F 0603 G BAW SPE0028A323
RN900	1298720	WID-NETZ 4X1K J ROH MNR14 E0ABJ102
RN901	1298720	WID-NETZ 4X1K J ROH MNR14 E0ABJ102
RN901C	1298720	WID-NETZ 4X1K J ROH MNR14 E0ABJ102
RN902	1298720	WID-NETZ 4X1K J ROH MNR14 E0ABJ102
RN903	1298720	WID-NETZ 4X1K J ROH MNR14 E0ABJ102
RN904	1298720	WID-NETZ 4X1K J ROH MNR14 E0ABJ102
RN905	1298720	WID-NETZ 4X1K J ROH MNR14 E0ABJ102
RN906	1298720	WID-NETZ 4X1K J ROH MNR14 E0ABJ102
RN907	1298720	WID-NETZ 4X1K J ROH MNR14 E0ABJ102
RN908	1298720	WID-NETZ 4X1K J ROH MNR14 E0ABJ102
RN909	1298720	WID-NETZ 4X1K J ROH MNR14 E0ABJ102
S1831	1319167	ENCODER ALP EC11E 15244
SP101	1031112	ARRESTER MMC DSP-201M-A21R
ST701	1158041	PIN LEDGE 19POL D&R 3 302 02 01 1490
ST801	1252641	PRESSURE SPRING+C823 AMP 969600-1
T101	1258680	TRANSISTOR-CH TEL S949TR G
T1151	1303317	TRANSISTOR-CH SAY 2SC2814 F4+F5 NPN G
T151	1289772	TRANSISTOR-CH SIE BCR 198S PNP G
T1801	0659614	TRANSISTOR-CH BAW BC848B G SPE0003A
T1802	0675318	TRANSISTOR-CH BAW BC818-16 SHIP-TO-STOCK
T1803	1172646	TRANSISTOR-CH BAW KRC103S/DTC124 NP
T1805	1239066	TRANS.-CH BAW KRC104S/BCR148/DTC144
T1806	1182821	TRANSISTOR-CH BAW KRC102S/DTC114 NP

T201	1303317	TRANSISTOR-CH SAY 2SC2814 F4+F5 NPN G
T202	1303317	TRANSISTOR-CH SAY 2SC2814 F4+F5 NPN G
T203	1290924	TRANSISTOR-CH SIE BC847PN G
T204	1307541	TRANSISTOR-CH SIE BC847S NPN G
T205	1307541	TRANSISTOR-CH SIE BC847S NPN G
T206	1289799	TRANSISTOR-CH SIE BCR 108S NPN G
T211	1307551	TRANSISTOR-CH SIE BC857S PNP G
T301	1180576	TRANSISTOR BAW J109/110 SELEKT.G SP
T302	0659622	TRANSISTOR-CH BAW BC848C G SPE0004A302
T304	1028049	TRANSISTOR-CH BAW BC858C G SPE0002A302
T341	0659622	TRANSISTOR-CH BAW BC848C G SPE0004A302
T501	1172654	TRANSISTOR-CH BAW KRA103S/DTA124 PN
T502	1172646	TRANSISTOR-CH BAW KRC103S/DTC124 NP
T601	1280260	TRANSISTOR BAW 2SD2394F/2SD1913S SPE0062
T602	1028049	TRANSISTOR-CH BAW BC858C G SPE0002A302
T606	0672521	TRANSISTOR-CH BAW BC856B G SPE0013A
T607	1258079	TRANSISTOR-CH BAW BC846B G SPE0035A302
T702	1253611	TRANSISTOR-CH BAW BCR158/DTA123JC SPE006
T805	1172654	TRANSISTOR-CH BAW KRA103S/DTA124 PN
T806	1182821	TRANSISTOR-CH BAW KRC102S/DTC114 NP
T807	1248499	TRANSISTOR-CH BAW BCX52-16 G SPE0060A302
T808	1214594	TRANSISTOR-CH BAW KRA102S/BCR183 SP
T840	1172654	TRANSISTOR-CH BAW KRA103S/DTA124 PN
T841	1172646	TRANSISTOR-CH BAW KRC103S/DTC124 NP
T842	0659614	TRANSISTOR-CH BAW BC848B G SPE0003A
T843	1172646	TRANSISTOR-CH BAW KRC103S/DTC124 NP
T852	1172654	TRANSISTOR-CH BAW KRA103S/DTA124 PN
T853	1172646	TRANSISTOR-CH BAW KRC103S/DTC124 NP
T854	1028006	TRANSISTOR-CH BAW BC817-40 SHIP-TO-STOCK
T855	1172654	TRANSISTOR-CH BAW KRA103S/DTA124 PN
T861	1172646	TRANSISTOR-CH BAW KRC103S/DTC124 NP
T870	1172646	TRANSISTOR-CH BAW KRC103S/DTC124 NP
T885	1028049	TRANSISTOR-CH BAW BC858C G SPE0002A302
T890	1028049	TRANSISTOR-CH BAW BC858C G SPE0002A302



2



3



4



5



9



8



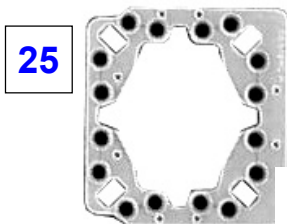
7



6



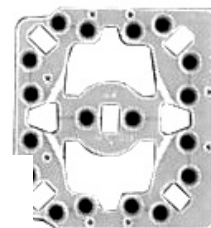
13



25



28



26



30



29



27